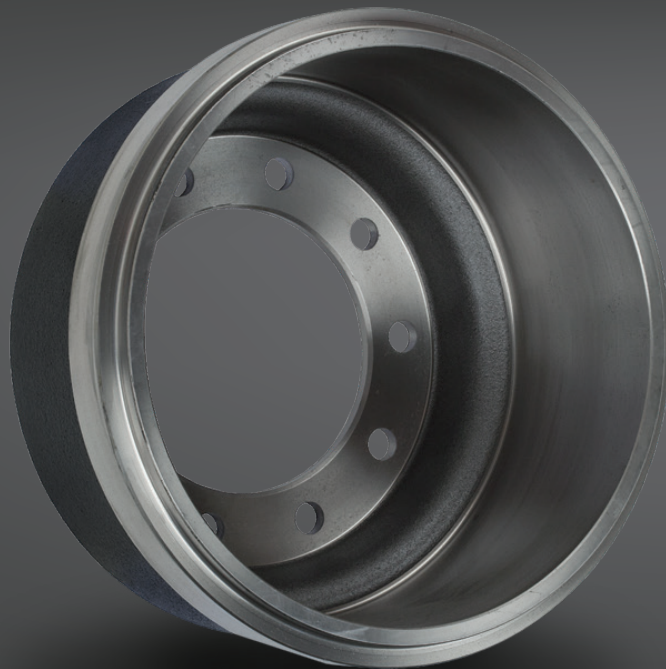




Gunite Brake Drum Product Catalog



Your only single source for industry-leading wheel end solutions.

STEEL & ALUMINUM WHEELS | DRUMS | HUBS | ROTORS | SLACK ADJUSTERS

Accuride Wheel End Solutions Brake Drum Catalog

Gunite 3600A® is the recognized market leader in brake drums. As a leader in wheel-end technology, it's no surprise the Gunite 3600A® brake drum is valued for its quality and performance. Gunite's industry-leading quality and performance can be contributed to our continued investment in world class manufacturing equipment, Lean processes and, of course, our team members. This translates to a more consistent part-to-part performance for the end customer. Gunite's 3600A® has been tested and approved using the popular industry Reduced Stopping Distance (RSD) linings. The very same drum is also available in the aftermarket. For best performance and lowest overall life cycle costs, always install the Gunite 3600A® brake drum.

Genuine Drums Deliver

- World-class first-fit quality
- Test-proven durability
- Industry leading warranty
- More value for your investment

Select Part Numbers Carefully!

The letters following a Gunite part number are extremely important. In the case of brake drums the suffix normally indicates a change from the basic number.

Example: 3596X has a 10-hole pattern with 1.25 bolt holes.

3596BX has a 10-hole pattern with 1.00 bolt holes.

In the above example, part number 3596 would appear as the casting identification on the side of the brake drum. It is important to remember that this casting number does not always represent the actual finished part number. Always verify casting identification against the numerical listing to ensure correct finished part number.

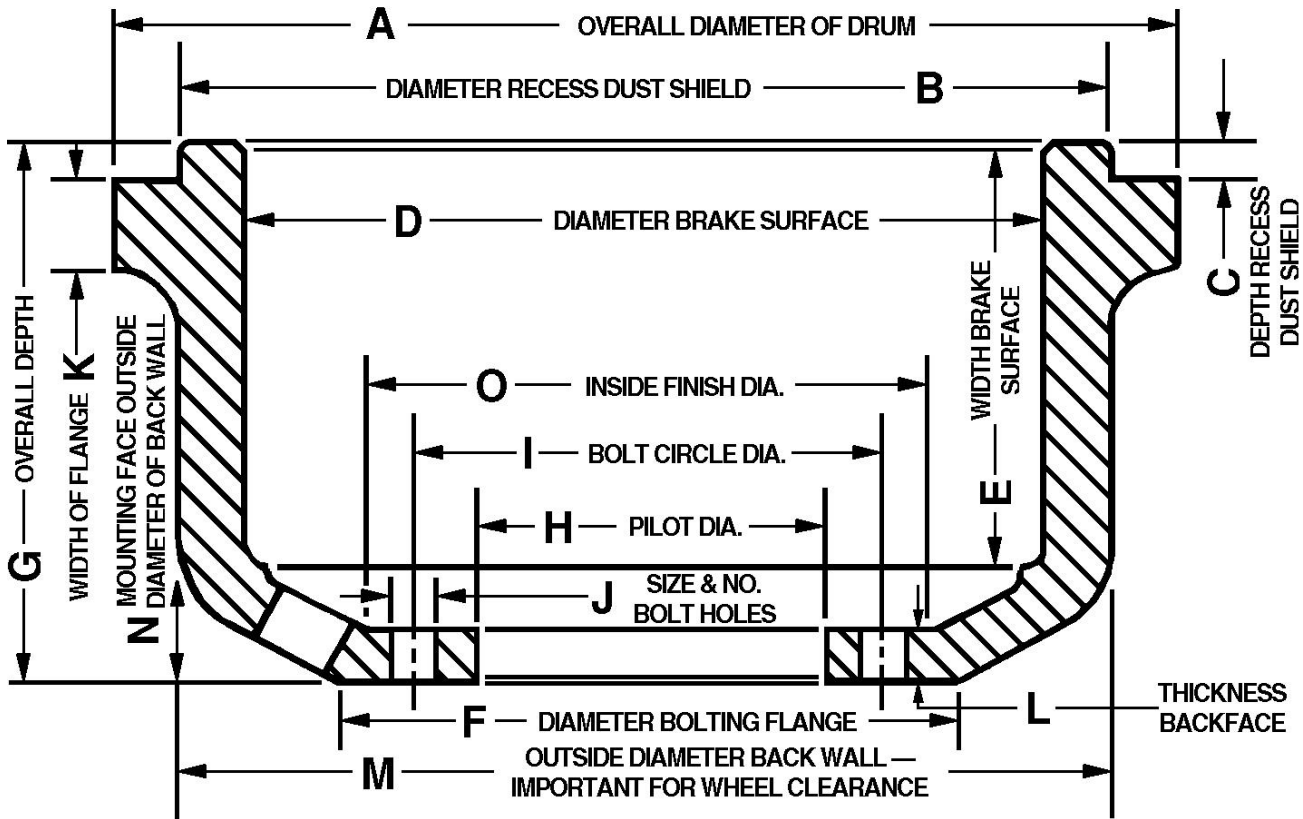
Part Number Identification

DRUM PART NUMBER CODING		
3596BX	B	X
Basic Drum Number	Version B of Basic Drum Number – Different Machined Feature	Drum is balanced within 10 oz. in. front axles 20 oz. in. rear axles

The Gunite® part numbering system is proprietary to Gunite Corporation. Any improper or unauthorized use of these numbering systems, including adoption or use of any Gunite part number, even where the subject is one of modification or addition, is strictly prohibited and will be prosecuted by Gunite Corporation as a violation of U. S. and foreign copyright, trademark, and unfair competition laws. In addition, use of any Gunite trademark, trade name, packaging scheme, system, color, or design is likewise considered a violation of the trademark, trade identity rights of Gunite Corporation.

The interchange information shown in this catalog is based on the best available information at the time of publication. Although reasonable care has been taken to ensure the accuracy of this information, Gunite Corporation does not assume any liability for errors, changes, omissions, or harm resulting from the use of this information. It is recommended that all parts be thoroughly checked to ensure proper fit, form, and function prior to installation. Also see the Gunite Product Search at www.AccurideCorp.com.

BRAKE DRUM NOMENCLATURE

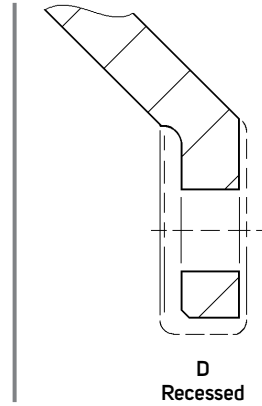
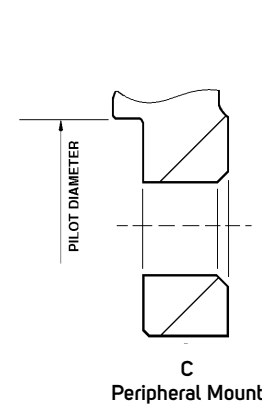
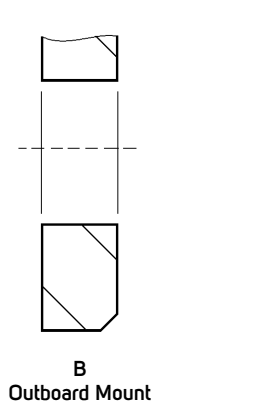
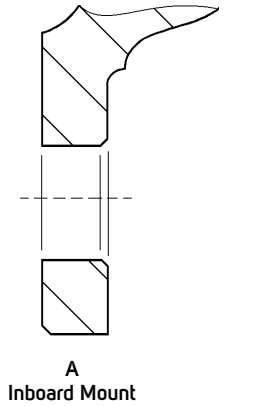


INDICATE ALL MACHINED SURFACES AND NUMBER
AND SIZE OF STUD HOLES

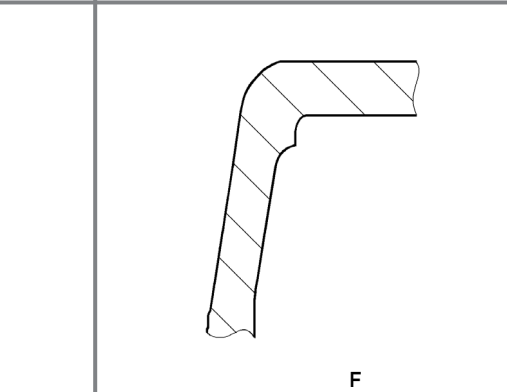
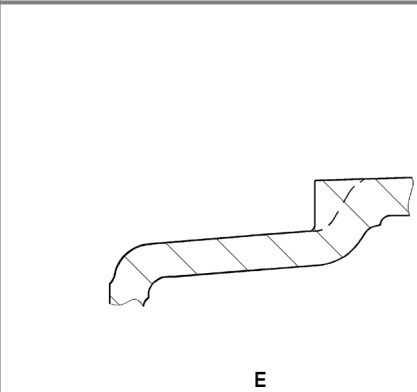
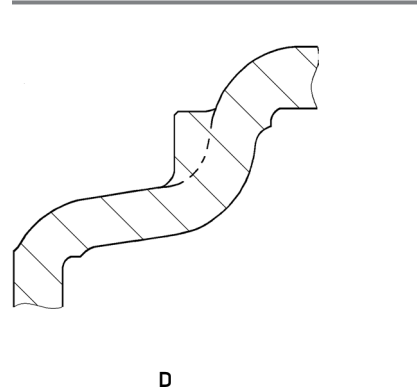
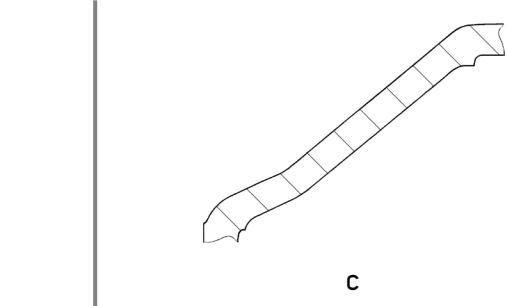
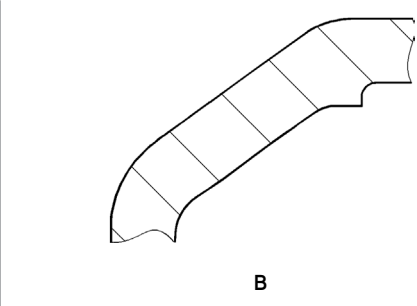
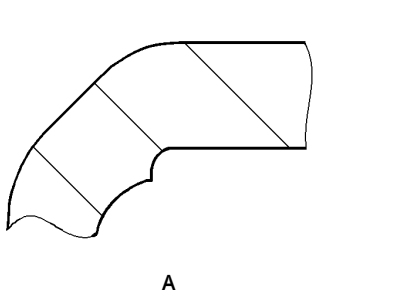
- | | | | |
|---|--|---|--|
| A | Overall Diameter of Drum | H | Pilot Diameter |
| B | Diameter of Recess for Dust Shield | I | Bolt Circle Diameter |
| C | Depth of Recess for Dust Shield
(not necessary if dust shield is omitted) | J | Size and Number of Bolt Holes |
| D | Diameter of Brake Surface | K | Squealer Band Width |
| E | Width of Brake Surface | L | Mounting Flange Thickness |
| F | Diameter of Bolting Flange | M | Outside Sidewall Diameter |
| G | Overall Depth | N | Mounting Face to Outside Sidewall Diameter |
| | | O | Inside Finished Diameter |

DRUM TYPE

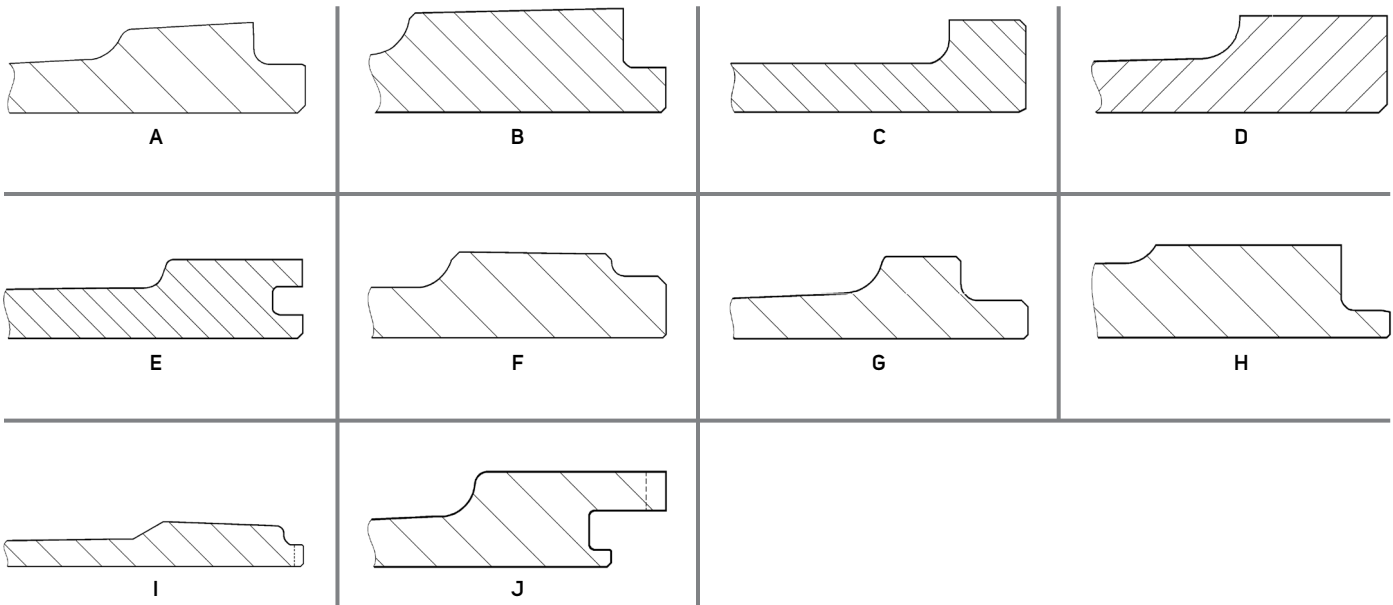
Mounting Flange Types



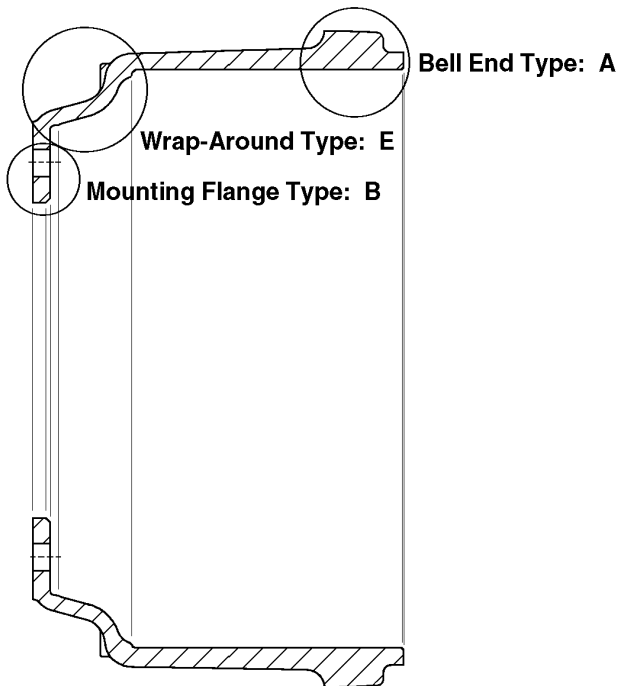
Wrap-around Types



Bell End Types



Example: Brake Drum 3721A®X



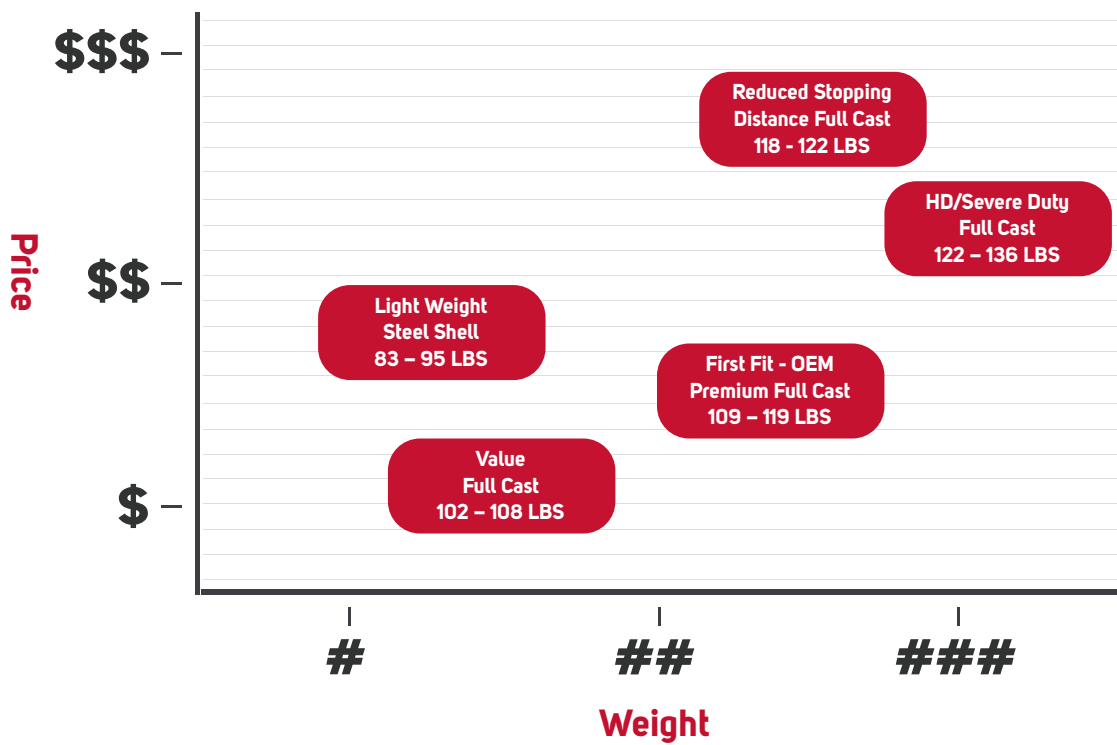
The overall brake drum type is determined by combining three areas of the brake drum; the Mounting Flange, Wrap-Around, and Bell End.

Explanation: Part number 3721A®X is a type "BEA" brake drum. From the above charts, we are able to combine these three areas of the brake drum to determine the overall brake drum type.

Brake Drum Categories

		Light Weight	Value	First Fit OEM	Heavy Duty	Reduced Stopping Distance
	Part Number	80002-018	3922X-018	3600AX	3576X	3807AX
	Size	16.5 x 7	16.5 x 7	16.5 x 7	16.5 x 7	16.5 x 8.62
	GAWR	23K	24K	26K	33.5K	26K
	Machined WT	88	102	112	128	118
		Trident	Value	Premium	Heavy Duty	RSD

Price vs. Weight



Drum P/N	Drum Weight	Drum Mount	Wheel Type	Brake Size	Overall Depth	Width of Brake Surface	Backface Thickness	Pilot Dia.	Bolt Circle Dia.	Bolt Holes		Special Information
										No.	Size	
2546C	100	I	Spoke	16.50x7.00	8.75	7.50	0.44	9.50	11.25	5	0.81	
2546C	100	I	Spoke	16.50x7.00	8.75	7.50	0.44	9.50	11.25	6	0.65	
2577AX	101	I	Spoke	16.50x7.00	8.44	7.38	0.50	11.00	12.50	5/6	0.65	Mack use 3143X for 5 hole application.
2705	105	I	Disc	16.50x7.00	9.50	7.56	0.43	9.44	11.25	10	0.87	For severe duty use 3732.
2747F	145	I	Spoke	18.00x7.00	8.88	7.56	0.56	11.25	12.75	6	0.65	
2747F	145	I	Spoke	18.00x7.00	8.88	7.56	0.56	11.25	12.75	6	0.78	
2912HX	90	I	Disc	16.50x5.00	6.12	5.38	0.56	9.25	11.25	10	0.65	
2912K	90	I	Disc	16.50x5.00	6.12	5.38	0.56	9.25	11.25	10	1.14	
2920X	108	O	Disc	16.50x5.00	9.16	5.38	0.62	9.00	11.25	10	1.25	Furnished with set screw holes. PACCAR use 3075X.
2983C	108	I	Spoke	16.50x7.00	8.41	7.63	0.56	9.44	11.00	6	0.65	For severe duty use 3556.
2983C	108	I	Spoke	16.50x7.00	8.41	7.63	0.56	9.44	11.00	5	0.78	For severe duty use 3556.
2997D	107	I	Spoke	16.50x7.00	8.74	7.58	0.60	10.50	12.75	5/6	0.78	
3018A	113	I	Spoke/Disc	16.50x7.00	8.74	7.50	0.60	9.50	11.25	10	0.81	For severe duty use 3564A.
3020X (o)	89	I	Spoke	16.50x5.00	6.41	5.33	0.56	10.00	12.75	6	0.78	Serviced by 3289X.
3022BX	100	I	Spoke	16.50x6.00	7.43	6.40	0.56	11.25	12.75	6	0.78	
3027CX	106	I	Spoke	16.50x7.00	8.46	7.41	0.56	11.25	12.75	6	0.78	Serviced by 3295AX.
3028BX	118	I	Spoke	16.50x7.00	8.76	7.44	0.56	11.25	12.75	6	0.78	
3046CX	81	I	Spoke	15.00x6.00	7.43	6.40	0.56	11.25	12.75	6	0.78	Replaces 3046AX
3072X (o)	82	I	Disc	15.00x4.00	7.84	4.40	0.56	9.44	11.25	10	0.78	
3097AX	98	O	Disc	15.00x7.00	9.98	7.36	0.50	8.78	11.25	10	1.00	
3112AX	107	I	Spoke	16.50x7.00	8.22	7.40	0.56	11.25	12.75	6	0.78	Rated for applications up to 26K GAWR
3120	114	O	Disc	16.50x7.00	10.74	7.52	0.59	9.44	11.25	10	0.84	
3136A	105	I	Spoke	16.50x7.00	8.03	7.44	0.59	14.25	12.75	5	0.65	
3136A	105	I	Spoke	16.50x7.00	8.03	7.44	0.59	14.25	12.75	6	0.65	
3136B	106	I	Spoke	16.50x7.00	8.03	7.44	0.59	14.25	12.75	5	0.78	
3141	105	O	Disc	16.50x7.00	10.59	7.75	0.50	9.00	11.25	10	0.81	For severe duty use 3578.
3141B	105	O	Disc	16.50x7.00	10.59	7.75	0.50	9.00	10.82	8	1.00	
3141X	105	O	Disc	16.50x7.00	10.59	7.75	0.50	9.00	11.25	10	0.81	For severe duty use 3578X.
3158X	87	O	Disc	15.00x4.00	8.91	4.40	0.62	9.00	11.25	10	1.25	
3166	115	O	Disc	16.50x7.00	10.59	7.63	0.44	8.53	11.25	10	0.81	For use on aluminum hubs only.
3166AX	115	O	Disc	16.50x7.00	10.59	7.63	0.44	8.53	11.25	10	0.81	For use on ferrous hubs only.
3166X	115	O	Disc	16.50x7.00	10.59	7.63	0.44	8.53	11.25	10	0.81	For use on aluminum hubs only.
3174	75	I	Spoke	12.25x7.50	8.88	8.00	0.50	8.50	10.00	6	0.65	6 equally spaced bolt holes.
3174	75	I	Spoke	12.25x7.50	8.88	8.00	0.50	8.50	10.00	6	0.65	6 paired bolt holes.
3195X	105	I	Disc	16.50x7.00	8.50	7.44	0.50	8.66	11.25	10	0.81	
3197X	148	I	Spoke	18.00x7.00	8.24	7.50	0.50	11.00	12.75	6	0.64	
3219A	106	O	Disc	15.00x7.00	10.47	7.59	0.44	8.78	11.25	10	1.00	
3265X	127	I	Spoke	16.50x7.00	8.20	7.40	0.60	11.25	12.75	6	0.78	Rated for applications up to 238K GAWR
3266X	149	I	Spoke	18.00x7.00	8.20	7.40	0.60	11.25	12.75	6	0.78	

I – Inboard Mount
 O – Outboard Mount
 X – Balanced

(tp) – Patented TruPilot Feature
 (o) – OEM captive part number

Drum P/N	Drum Weight	Drum Mount	Wheel Type	Brake Size	Overall Depth	Width of Brake Surface	Backface Thickness	Pilot Dia.	Bolt Circle Dia.	Bolt Holes		Special Information
										No.	Size	
3289X	88	I	Disc	16.50x5.00	6.40	5.34	0.56	10.00	12.75	7	0.78	
3289X	88	I	Spoke	16.50x5.00	6.40	5.34	0.56	10.00	12.75	5	0.78	
3289X	88	I	Spoke	16.50x5.00	6.40	5.34	0.56	10.00	12.75	6	0.78	
3295A	107	I	Spoke	16.50x7.00	8.46	7.41	0.56	11.25	12.75	5/6	0.78	Serviced by 3295AX.
3295AX	107	I	Spoke	16.50x7.00	8.46	7.41	0.56	11.25	12.75	5/6	0.78	
3401	115	O	Disc	16.50x7.00	10.60	7.74	0.50	8.78	11.25	10	1.00	
3401AX	115	O	Disc	16.50x7.00	10.60	7.74	0.50	9.00	10.82	8	1.00	
3401X	115	O	Disc	16.50x7.00	10.60	7.74	0.50	8.78	11.25	10	1.00	
3402AX	111	O	Disc	16.50x7.00	10.30	7.40	0.50	9.00	10.82	8	1.00	
3402X	111	O	Disc	16.50x7.00	10.30	7.40	0.50	8.78	11.25	10	1.00	
3437X	109	O	Disc	16.50x6.00	9.74	6.40	0.62	9.00	11.25	10	1.25	
3441X	112	O	Disc	16.50x7.00	10.31	7.69	0.50	9.00	11.25	10	0.87	
3449X (o)	130	I	Spoke	18.00x7.00	8.25	7.38	0.56	11.00	12.75	6	0.65	Serviced by 3197X.
3467B	95	I	Disc	12.25x7.50	9.10	8.00	0.52	7.00	8.25	6	0.65	
3475	168	O	Disc	16.50x10.00	13.34	10.50	0.46	8.54	11.25	10	0.81	
3485B	81	I	Spoke	15.00x7.00	8.52	7.44	0.56	10.50	12.75	5/6	0.78	
3498AX (o)	148	I	Disc	18.00x7.00	8.24	7.50	0.50	11.00	12.75	7	0.64	
3557	84	I	Disc	12.25x7.50	10.47	8.24	0.50	7.12	8.75	10	0.81	For 15 inch disc wheel hubs.
3557A	84	I	Disc	12.25x7.50	10.47	8.24	0.50	7.12	8.75	6	0.81	For 15 inch disc wheel hubs.
3573X (o)	98	O	Disc	16.50x5.00	9.04	5.38	0.50	8.78	11.25	10	1.25	Serviced by 3710X.
3574X	80	O	Disc	15.00x4.00	9.18	4.41	0.50	8.53	11.25	10	1.25	
3576	131	O	Disc	16.50x7.00	10.54	7.60	0.50	8.78	11.25	10	1.00	Severe duty version of 3600A®.
3576X	131	O	Disc	16.50x7.00	10.54	7.60	0.50	8.78	11.25	10	1.00	Severe duty version of 3600A®X.
3595AX	98	O	Disc	16.50x5.00	8.02	5.40	0.50	8.78	11.25	10	1.00	
3595X	98	O	Disc	16.50x5.00	8.02	5.40	0.50	8.78	11.25	10	1.25	
3596BX	79	O	Disc	15.00x4.00	8.65	4.40	0.50	8.78	11.25	10	1.00	
3596X	79	O	Disc	15.00x4.00	8.65	4.40	0.50	8.78	11.25	10	1.25	
3597CX	84	O	Disc	15.00x5.00	9.31	5.40		8.78	11.25	10	1.00	
3598BX	96	O	Disc	16.50x5.00	9.34	5.40	0.50	8.78	11.25	10	1.00	
3598X	96	O	Disc	16.50x5.00	9.34	5.40	0.50	8.78	11.25	10	1.25	
3600A	112	O	Disc	16.50x7.00	10.56	7.60	0.53	8.78	11.25	10	1.00	For severe duty use 3576.
3600AX	112	O	Disc	16.50x7.00	10.56	7.60	0.53	8.78	11.25	10	1.00	For severe duty use 3576X.
3618	104	I	Disc	16.50x7.00	8.92	7.40	0.50	9.37	11.25	10	0.81	
3647X (o)	114	O	Disc	16.50x7.00	11.18	7.44	0.50	8.78	11.25	10	1.00	Serviced by 3757X.
3669X	53	I	Spoke	15.00x4.00	5.36	4.67	0.44	9.25	11.25	5	0.78	
3676AX	84	O	Disc	16.50x5.00	8.58	5.48	0.50	8.78	11.25	10	1.25	
3687X	108	O	Disc	16.50x6.00	9.74	6.52	0.62	8.78	11.25	10	1.25	
3691X (o)	105	I	Disc	16.50x7.00	8.50	7.44	0.50	8.66	11.25	10	0.81	Serviced by 3195X.
3699	128	O	Disc	16.50x7.00	10.38	7.70	0.53	8.53	11.25	10	0.81	
3699X	128	O	Disc	16.50x7.00	10.38	7.70	0.53	8.53	11.25	10	0.81	
3710X (tp)	96	O	Disc	16.50x5.00	9.04	5.38	0.50	8.78 and 8.66	11.25	10	1.25	TruPilot brake drum.
3721AX (tp)	79	O	Disc	15.00x4.00	8.79	4.78	0.50	8.78 and 8.66	11.25	10	1.25	TruPilot brake drum.
3721BX	79	O	Disc	15.00x4.00	8.79	4.78	0.50	9.00	10.82	8	1.00	
3721X	79	O	Disc	15.00x4.00	8.79	4.78	0.50	8.78	11.25	10	1.00	
3741X	79	O	Disc	15.00x4.00	9.18	4.66	0.50	9.00	10.82	8	1.00	

I – Inboard Mount
O – Outboard Mount
X – Balanced

(tp) – Patented TruPilot Feature
(o) – OEM captive part number

Active Part Numbers In Order by Part Number

Active Part Numbers In Order by Size

Obsolete Part Numbers In Order by Part Number

Drum P/N	Drum Weight	Drum Mount	Wheel Type	Brake Size	Overall Depth	Width of Brake Surface	Backface Thickness	Pilot Dia.	Bolt Circle Dia.	Bolt Holes		Special Information
										No.	Size	
3744	105	O	Disc	15.00x8.62	11.90	9.30	0.50	8.78	11.25	10	1.00	Low profile brake drum. Limited to a hub mounting flange O.D. with a max of 13.10 in.
3744AX	105	O	Disc	15.00x8.62	11.90	9.30	0.50	9.00	10.82	8	1.00	Low profile brake drum. Limited to a hub mounting flange O.D. with a max of 13.10 in.
3744X	105	O	Disc	15.00x8.62	11.90	9.30	0.50	8.78	11.25	10	1.00	Low profile brake drum. Limited to a hub mounting flange O.D. with a max of 13.10 in.
3750BX	112	O	Disc	15.00x8.62	12.20	8.83	0.50	8.78	11.25	10	1.00	Low profile brake drum, with brake surface wear indicator.
3750X	112	O	Disc	15.00x8.62	12.20	9.49	0.50	8.78	11.25	10	1.00	
3753AX	95	O	Disc	15.00x6.00	10.28	7.14	0.50	9.00	10.82	8	1.00	Low profile brake drum.
3753X	95	O	Disc	15.00x5.00	10.28	7.14	0.50	9.00	10.82	8	1.00	Low profile brake drum.
3753X (tp)	95	O	Disc	15.00x6.00	10.28	7.14	0.50	8.78 and 8.66	11.25	10	1.00	TruPilot brake drum. Low profile brake drum.
3753X (tp)	95	O	Disc	15.00x5.00	10.28	7.14	0.50	8.78 and 8.66	11.25	10	1.00	TruPilot brake drum. Low profile brake drum.
3754X	86	O	Disc	15.00x4.00	9.52	5.94	0.50	8.78	11.25	10	1.00	
3754X	86	O	Disc	15.00x5.00	9.52	5.94	0.50	8.78	11.25	10	1.00	
3757	114	O	Disc	16.50x7.00	11.18	7.44	0.50	8.78	11.25	10	1.00	
3757X	114	O	Disc	16.50x7.00	11.18	7.44	0.50	8.78	11.25	10	1.00	
3758DX	62	O	Disc	16.50x5.00	9.37	5.43	0.50	8.78	11.25	10	1.25	
3760BX	62	I	Spoke	15.00x4.00	5.85	4.61	0.50	9.25	11.25	5/6	0.78	
3767X	81	I	Spoke	16.50x5.00	6.12	5.38	0.50	9.25	11.25	6	0.78	
3771X	80	O	Disc	15.00x4.00	9.00	5.32	0.50	8.78	11.25	10	1.00	
3772X	108	O	Disc	16.50x6.00	9.65	6.74	0.50	8.78	11.25	10	1.00	
3773X	111	O	Disc	16.50x7.00	10.53	7.72	0.50	8.78	11.25	10	1.00	
3774X	84	O	Disc	15.00x5.00	9.33	5.42	0.50	8.78	11.25	10	1.25	
3782	123	O	Disc	16.50x8.00	11.06	8.60	0.53	8.78	11.25	10	1.00	
3782X	123	O	Disc	16.50x8.00	11.06	8.60	0.53	8.78	11.25	10	1.00	
3786X	131	O	Disc	16.50x6.00	9.88	6.78	0.62	9.00	11.25	10	1.25	
3796X	107	O	Disc	16.50x7.00	10.12	7.50	0.50	8.78	11.25	10	1.00	
3800X (tp)	79	O	Disc	15.00x4.00	9.18	4.66	0.50	8.78 and 8.66	11.25	10	1.25	TruPilot brake drum. Version of 3726X.
3807	118	O	Disc	16.50x8.62	11.39	9.08	0.62	8.78	11.25	10	1.00	
3807A	118	O	Disc	16.50x8.62	11.39	9.08	0.62	8.78	11.25	10	1.00	With brake surface wear indicator.
3807AX	118	O	Disc	16.50x8.62	11.39	9.08	0.62	8.78	11.25	10	1.00	With brake surface wear indicator.
3807X	118	O	Disc	16.50x8.62	11.39	9.08	0.62	8.78	11.25	10	1.00	
3811X	157	O	Disc	16.50x8.62	11.39	9.08	0.62	8.78	11.25	10	1.03	Heavy duty version of 3807X.
3826	97	I	Spoke	16.50x7.00	9.00	7.81	0.50	11.25	12.75	6	0.65	
3826	97	I	Spoke	16.50x7.00	9.00	7.81	0.50	11.25	12.75	5	0.78	
3887	83	O	Disc	12.25x7.50	11.22	10.00	0.50	9.00	10.82	8	1.00	
3889X	123	O	Disc	16.50x7.00	10.82	7.70	0.50	8.78	11.25	10	1.00	
3890X	133	O	Disc	16.50x8.62	11.46	8.90	1.00	8.78	11.25	10	0.94	
3917X	152	O	Disc	18.00x7.00	12.56	7.40	0.56	11.25	13.19	10	1.00	Captive to Volvo Mack

I – Inboard Mount
 O – Outboard Mount
 X – Balanced
 (tp) – Patented TruPilot Feature
 (o) – OEM captive part number

Drum P/N	Drum Weight	Drum Mount	Wheel Type	Brake Size	Overall Depth	Width of Brake Surface	Backface Thickness	Pilot Dia.	Bolt Circle Dia.	Bolt Holes		Special Information
										No.	Size	
3922X	105	O	Disc	16.50x7.00	10.56	7.78	0.53	8.78	11.25	10	1.00	Use 3600A®X For O.E. Applications.
3930X	140	O	Disc	18.00x7.00	10.09	7.60	0.54	8.78	11.25	10	1.00	Captive to Mack
4000X	99.5	O	Disc	16.50x7.00	10.53	7.60	0.50	8.78	11.25	10	1.00	Gunite Silver Lightweight 3600A®X.
51952-11	108	n/a	n/a	16.50x7.00	8.13	7.30	0.41	11.00	12.75	5 & 6	0.64	
52020-01	99	O	n/a	16.50x7.00	9.50	7.63	0.53	9.44	11.25	10	0.83	
52120-12	101	n/a	n/a	16.50x7.00	8.44	7.44	0.61	11.25	12.75	5 & 6	0.78	
52120-128	101	n/a	n/a	16.50x7.00	8.44	7.44	0.61	11.25	12.75	5 & 6	0.78	BAL - Special Order
52230-10	105	I	n/a	16.50x7.00	8.39	7.50	0.50	9.44	11.00	5 & 6	0.78 & 0.66	
52327-10	108	n/a	n/a	16.50x7.00	8.75	7.50	0.50	9.50	11.25	10	0.81	
52336-108	169	n/a	n/a	14.50x10.00	12.81	10.56	0.51	9.44	11.25	10	1.31	[5 holes],Circular Ribs,Vents, Drilled for Noise Dampener,Notched for 121 Exciter, 12.75" Pilot, BAL
52336-148	169	n/a	n/a	14.50x10.00	12.81	10.56	0.51	9.44	11.25	10	1.31	[5 holes],Circular Ribs,Vents, Undersized Brake Face,Drilled for Noise Dampener,12.75" Pilot, BAL
52511-01	79	n/a	n/a	12.25x7.50	9.04	8.00	0.45	7.00	8.25	6	0.66	
52705-30	114	O	n/a	16.50x7.00	10.61	7.81	0.51	9.00	11.25	10	0.81	
52705-308	114	O	n/a	16.50x7.00	10.61	7.82	0.51	9.00	11.25	10	0.81	BAL
52824-138	113	n/a	n/a	14.50x6.00	8.69	6.44	0.53	9.44	11.25	10	1.31	Circular Ribs, Vents, Drilled for Noise
52824-148	113	n/a	n/a	14.50x6.00	8.69	6.44	0.53	9.44	11.25	10	1.31	[5holes],Circular Ribs,Vents, Undersized Brake Face,12.75"Pilot, BAL - Special Order
52877-11	121	O	n/a	16.50x7.00	10.75	7.52	0.57	9.44	11.25	10	0.81	[3 holes]
52878-01	105	O	n/a	16.50x7.00	10.44	7.51	0.50	8.53	11.25	10	0.81	Cast-in Grease Slinger
53026-01	114	O	n/a	16.50x7.00	10.63	7.81	0.50	8.53	11.25	10	0.81	
53026-018	114	O	n/a	16.50x7.00	10.63	7.81	0.50	8.53	11.25	10	0.81	BAL, Special Order
53033-30	114	O	n/a	16.50x7.00	10.63	7.63	0.50	9.00	10.82	8	1.00	
53039-01	74	n/a	n/a	12.25x8.00	10.47	8.31	0.50	7.13	8.75	10	0.81	
53039-11	74	n/a	n/a	12.25x8.00	10.47	8.25	0.50	7.13	8.75	6	0.81	
53075-018	79	n/a	n/a	15.00x4.00	8.87	4.89	0.51	8.78	11.25	10	0.94	BAL
54201-108	84	n/a	n/a	15.00x4.00	8.86	4.78	0.52	8.78	11.25	10	1.28	BAL
54202-01	110	O	n/a	16.50x7.00	10.30	7.36	0.51	8.78	11.25	10	1.00	
54207-018	69	n/a	n/a	15.00x4.00	5.84	4.43	0.51	9.25	11.25	5 & 6	0.78	BAL
54209-018	112	O	n/a	16.50x7.00	10.31	7.44	0.49	9.00	11.25	10	0.87	BAL
54210-018	105	O	n/a	16.50x6.00	7.44	6.32	0.50	11.25	12.75	6	0.78	BAL
54213-01	114	O	n/a	16.50x7.00	11.18	7.40	0.51	8.78	11.25	10	1.00	
54213-018	114	O	n/a	16.50x7.00	11.18	7.40	0.51	8.78	11.25	10	1.00	BAL
54214-018	87	n/a	n/a	15.00x5.00	9.22	5.50	0.49	8.78	11.25	10	1.28	BAL
54216-018	90	O	n/a	16.50x5.00	8.10	5.47	0.63	8.78	11.25	10	1.28	BAL
54217-018	87	O	n/a	16.50x4.00	6.41	5.23	0.56	10.00	12.75	5 & 6	0.78	BAL
54224-018	70	O	Disc	15.00x4.00	8.86	4.77	0.51	8.78	11.25	10	1.00	BAL, Fins, dust shield recess
54228-01	103	n/a	n/a	15.00x8.62	12.20	9.90	0.49	8.78	11.25	10	1.00	Fins, Approved for 19.5" disc wheels
54228-018	103	n/a	n/a	15.00x8.62	12.20	9.90	0.49	8.78	11.25	10	1.00	Fins, BAL, Approved for 19.5" disc wheels
54229-01	117	O	n/a	16.50x8.62	11.41	8.98	0.56	8.78	11.25	10	1.00	Dust shield recess, fins

I – Inboard Mount
O – Outboard Mount
X – Balanced

(tp) – Patented TruPilot Feature
(o) – OEM captive part number

Active Part Numbers In Order by Part Number

Active Part Numbers In Order by Size

Obsolete Part Numbers In Order by Part Number

Drum P/N	Drum Weight	Drum Mount	Wheel Type	Brake Size	Overall Depth	Width of Brake Surface	Backface Thickness	Pilot Dia.	Bolt Circle Dia.	Bolt Holes		Special Information
										No.	Size	
54229-018	117	O	n/a	16.50x8.62	11.39	9.00	0.56	8.78	11.25	10	1.00	BAL, Dust shield recess, fins
54231-018	181	O	n/a	16.50x8.62	11.56	9.44	0.59	11.25	13.19	10	1.06	BAL
54234-018	117	O	n/a	16.50x7.00	10.82	7.48	0.50	8.78	11.25	10	1.00	BAL
54238-018	101	O	n/a	16.50x5.00	9.14	5.29	0.49	8.78	11.25	10	1.25	BAL
54241-018	83	n/a	n/a	15.00x4.00	8.84	4.84	0.62	9.00	11.25	10	1.28	
54242-018	126	n/a	n/a	16.50x6.00	9.76	6.47	0.63	8.78	11.25	10	1.00	BAL
54243-018	88	n/a	n/a	15.00x4.00	9.04	4.50	0.63	9.00	11.25	10	1.25	
54244-01	89	n/a	n/a	12.25x8.00	11.22	9.84	0.50	9.00	10.82	8	1.00	
54244-018	89	n/a	n/a	12.25x8.00	11.22	9.84	0.50	9.00	10.82	8	1.00	BAL
54248-018	106	O	n/a	16.50x6.00	9.76	6.41	0.61	8.78	11.25	10	1.31	BAL
54248-308	106	O	n/a	16.50x6.00	9.76	6.41	0.61	9.00	11.25	10	1.31	BAL
54249-01	105	n/a	n/a	16.50x7.00	8.74	7.49	0.53	9.50	11.25	5 & 6	0.82 & 0.65	
54250-01	117	O	n/a	16.50x7.00	10.59	7.44	0.50	11.25	13.19	10	1.00	Dust shield recess
54250-018	117	O	n/a	16.50x7.00	10.59	7.44	0.50	11.25	13.19	10	1.00	BAL Dust shield recess
54251-01	139	O	n/a	16.50x8.62	12.37	9.15	0.55	11.25	13.19	10	0.94	Dust shield recess
54256-018	46	n/a	n/a	12.80x3.93	6.52	4.25	0.39	6.52	8.07	6	0.73	Vents, BAL
54257-018	99	O	Disc	16.50x5.00	8.56	5.50	0.49	8.78	11.25	10	1.00	BAL
54258-018	103	O	Disc	16.50x6.00	9.44	6.57	0.49	11.25	13.19	10	1.00	BAL
54259-018	85	n/a	n/a	15.00x5.00	9.22	5.47	0.63	9.00	11.25	10	1.28	BAL
54261-018	125	O	Disc	16.50x7.00	10.59	7.60	0.51	8.78	11.25	10	1.00	BAL
54268-018	103	O	Disc	16.50x6.00	9.65	6.62	0.50	11.25	13.19	10	1.00	Vertical Ribs, BAL
54269-01	122	O	Disc	16.50x8.00	11.10	8.61	0.55	8.75	11.25	10	1.03	Special Order
54269-018	122	O	Disc	16.50x8.00	11.10	8.61	0.55	8.75	11.25	10	1.03	BAL
54270-018	118	n/a	n/a	15.00x8.62	11.77	9.29	0.50	8.78	11.25	10	1.00	BAL
54275-018	101	O	Disc	16.50x5.00	9.22	5.52	0.63	9.00	11.25	10	1.28	BAL
54280-018	180	n/a	n/a	14.50x10.00	12.81	10.51	0.51	9.44	11.25	10	1.31	Notched for 121 Exciter, 12.75 Pilot Dia., BAL
54281-018	111	n/a	n/a	14.50x6.00	8.69	6.46	0.51	9.44	11.25	10	1.31	12.75 Pilot Dia., BAL
54282-018	75	n/a	n/a	15.00x6.00	9.47	6.26	0.50	8.78	11.25	10	0.94	
54286-018	136	n/a	n/a	16.14x8.62	11.81	9.12	0.63	14.41	13.19	10	0.93	11.73 Hub Bore, BAL
54289-018	46	n/a	n/a	12.80x4.00	6.54	6.14	0.39	9.00	10.82	8	1.00	BAL
54290-018	183	O	Disc	16.50x10.00	13.19	10.69	0.50	8.78	11.25	10	1.00	BAL
54292-018	123	O	Disc	16.50x6.00	9.88	6.67	0.61	8.78	11.25	10	1.00	BAL
54293-018	79	n/a	n/a	15.00x4.00	9.04	4.58	0.51	8.78	11.25	10	1.28	BAL
54295-018	79	n/a	n/a	15.00x6.00	9.85	6.64	0.50	8.78	11.25	10	1.00	BAL
54296-018	80	n/a	n/a	15.00x5.00	9.31	5.40	0.50	8.78	11.25	10	1.00	BAL
54298-118	90	O	n/a	16.14x6.00	8.43	6.63	0.63	11.73	13.19	10	0.87	BAL
54299-118	130	O	n/a	16.14x9.00	11.81	9.19	0.63	11.74	13.19	10	0.91	BAL
54301-018	130	O	Disc	16.50x6.00	9.54	6.73	0.49	8.78	11.25	10	1.28	BAL
54727-01	132	O	Disc	16.50x8.62	12.39	9.63	0.51	8.78	11.25	10	1.00	
555-01811	141	O	Disc	18.00x7.00	9.75	7.88	0.56	11.25	13.19	10	1.06	Special Order
555-18006B	138	I	n/a	18.00x7.00	8.75	7.50	0.57	9.50	11.25	6	0.75	Banded, Special Order, Dust shield recess
555-20057B	238	O	Disc	20.00x8.00	12.63	8.56	0.70	11.00	13.19	10	1.06	Banded, Special Order
555-2005B	242	O	Disc	20.00x8.00	12.50	8.50	0.70	10.63	13.19	10	1.06	Banded, Special Order
555-2009B	198	I	n/a	20.00x8.00	10.25	8.52	0.62	10.63	13.19	6	0.81	Banded, Special Order
555-2021B	209	n/a	n/a	20.00x7.00	9.25	7.41	0.94	13.25	15.00	12	0.78	13.50" Pilot, Banded, Special Order

I – Inboard Mount
O – Outboard Mount
X – Banded

(tp) – Patented TruPilot Feature
(o) – OEM captive part number

Drum P/N	Drum Weight	Drum Mount	Wheel Type	Brake Size	Overall Depth	Width of Brake Surface	Backface Thickness	Pilot Dia.	Bolt Circle Dia.	Bolt Holes		Special Information
										No.	Size	
555-2023	240	n/a	n/a	20.00x8.00	10.94	8.61	0.95	13.25	15.00	12	0.78	13.50" Pilot, Special Order
555-2027	218	n/a	n/a	20.00x8.00	10.94	8.61	0.96	11.00	12.50	12	0.66	11.25" Pilot, Special Order
555-2035B	190	I	n/a	20.00x8.00	11.00	9.00	0.57	9.50	11.25	6	0.66	Banded, Special Order, Dust shield recess
60000-01	102	O	Disc	16.50x7.00	10.56	7.56	0.48	8.78	11.25	10	1.00	KICast®
60000-018	102	O	Disc	16.50x7.00	10.56	7.56	0.48	8.78	11.25	10	1.00	KICast® BAL
60001-018	108	O	Disc	16.50x7.00	10.62	7.56	0.53	8.78	11.25	10	1.00	BAL
80002-018	88	O	Disc	16.50x7.00	10.43	7.60	0.26	8.78	11.25	10	1.00	Trident® Composite Steel Shell
80005-018	73	O	Disc	16.50x5.00	8.82	5.70	0.26	8.78	11.25	10	1.28	Trident® Composite Steel Shell
80008-018	102	O	Disc	16.50x8.62	11.06	9.13	0.26	8.78	11.25	10	1.00	Trident® Composite Steel Shell
8656X	107	I	Spoke	16.50x7.00	7.93	7.31	0.41	11.00	12.75	6	0.65	
8685X (o)	151	I	Disc	18.00x7.00	8.74	7.44	0.56	8.66	11.25	10	0.81	
8686X (o)	148	I	Spoke	18.00x7.00	8.24	7.50	0.50	11.00	12.75	6	0.64	
8715X (o)	84	I	Spoke	16.50x5.00	6.69	5.35	0.56	10.00	12.75	6	0.78	
G1201X	79	O	Disc	15.00x4.00	8.79	4.78	0.50	8.78	11.25	10	1.25	Gunite Value Plus version of the 3721AX. No TruPilot feature.
G1213X	79	O	Disc	15.00x4.00	9.18	4.66	0.50	8.78	11.25	10	1.25	Gunite Value Plus version of the 3800X. No TruPilot feature.

I – Inboard Mount
O – Outboard Mount
X – Balanced

(tp) – Patented TruPilot Feature
(o) – OEM captive part number

Brake Size	Overall Depth	Width of Brake Surface	Backface Thickness	Pilot Dia.	Bolt Circle Dia.	Bolt Holes		Wheel Type	Drum Mount	Drum Weight	Drum P/N	Special Information
						No.	Size					
12.25x7.50	8.88	8.00	0.50	8.50	10.00	6	0.65	Spoke	I	75	3174	6 equally spaced bolt holes.
12.25x7.50	8.88	8.00	0.50	8.50	10.00	6	0.65	Spoke	I	75	3174	6 paired bolt holes.
12.25x7.50	9.10	8.00	0.52	7.00	8.25	6	0.65	Disc	I	95	3467B	
12.25x7.50	10.47	8.24	0.50	7.12	8.75	10	0.81	Disc	I	84	3557	For 15 inch disc wheel hubs.
12.25x7.50	10.47	8.24	0.50	7.12	8.75	6	0.81	Disc	I	84	3557A	For 15 inch disc wheel hubs.
12.25x7.50	11.22	10.00	0.50	9.00	10.82	8	1.00	Disc	O	83	3887	
12.25x7.50	9.04	8.00	0.45	7.00	8.25	6	0.66	n/a	n/a	79	52511-01	
12.25x7.50	8.88	7.89	0.43	8.50	10.00	3 & 6	0.69	n/a	n/a	66	52743-11	
12.25x8.00	10.47	8.31	0.50	7.13	8.75	10	0.81	n/a	n/a	74	53039-01	
12.25x8.00	10.47	8.25	0.50	7.13	8.75	6	0.81	n/a	n/a	74	53039-11	
12.25x8.00	11.22	9.84	0.50	9.00	10.82	8	1.00	n/a	n/a	89	54244-01	
12.25x8.00	11.22	9.84	0.50	9.00	10.82	8	1.00	n/a	n/a	89	54244-018	BAL
12.25x8.00	6.52	4.25	0.39	6.52	8.07	6	0.73	n/a	n/a	46	54256-018	Vents, BAL
12.80x4.00	6.54	6.14	0.39	9.00	10.82	8	1.00	n/a	n/a	46	54289-018	BAL
14.50x5.00	8.00	5.31	0.50	9.44	11.25	10	1.31	n/a	n/a	79	52472-128	[5 holes],Circular Ribs,Vents, Drilled for Noise Dampener,12.75" Pilot, BAL
14.50x6.00	8.69	6.44	0.53	9.44	11.25	10	1.31	n/a	n/a	113	52824-138	[5holes], Circular Ribs, Vents, Drilled for Noise
14.50x6.00	8.69	6.44	0.53	9.44	11.25	10	1.31	n/a	n/a	113	52824-148	[5holes],Circular Ribs,Vents, Undersized Brake Face,12.75" Pilot, BAL - Special Order
14.50x6.00	8.69	6.46	0.51	9.44	11.25	10	1.31	n/a	n/a	111	54281-018	12.75 Pilot Dia., BAL
14.50x10.00	12.81	10.56	0.51	9.44	11.25	10	1.31	n/a	n/a	169	52336-108	[5 holes],Circular Ribs,Vents, Drilled for Noise Dampener,Notched for 121 Exciter, 12.75" Pilot, BAL
14.50x10.00	12.81	10.56	0.51	9.44	11.25	10	1.31	n/a	n/a	169	52336-148	[5 holes],Circular Ribs,Vents, Undersized Brake Face,Drilled for Noise Dampener,12.75" Pilot, BAL
14.50x10.00	12.81	10.51	0.51	9.44	11.25	10	1.31	n/a	n/a	180	54280-018	Notched for 121 Exciter, 12.75 Pilot Dia., BAL
15.00x4.00	7.84	4.40	0.56	9.44	11.25	10	0.78	Disc	I	82	3072X (o)	
15.00x4.00	8.91	4.40	0.62	9.00	11.25	10	1.25	Disc	O	87	3158X	
15.00x4.00	9.18	4.41	0.50	8.53	11.25	10	1.25	Disc	O	80	3574X	
15.00x4.00	8.65	4.40	0.50	8.78	11.25	10	1.00	Disc	O	79	3596BX	
15.00x4.00	8.65	4.40	0.50	8.78	11.25	10	1.25	Disc	O	79	3596X	
15.00x4.00	5.36	4.67	0.44	9.25	11.25	5	0.78	Spoke	I	53	3669X	
15.00x4.00	8.79	4.78	0.50	8.78 and 8.66	11.25	10	1.25	Disc	O	79	3721AX (tp)	TruPilot brake drum.
15.00x4.00	8.79	4.78	0.50	9.00	10.82	8	1.00	Disc	O	79	3721BX	
15.00x4.00	8.79	4.78	0.50	8.78	11.25	10	1.00	Disc	O	79	3721X	
15.00x4.00	9.18	4.66	0.50	9.00	10.82	8	1.00	Disc	O	79	3741X	
15.00x4.00	9.52	5.94	0.50	8.78	11.25	10	1.00	Disc	O	86	3754X	
15.00x4.00	5.85	4.61	0.50	9.25	11.25	5/6	0.78	Spoke	I	62	3760BX	
15.00x4.00	9.00	5.32	0.50	8.78	11.25	10	1.00	Disc	O	80	3771X	
15.00x4.00	9.18	4.66	0.50	8.78 and 8.66	11.25	10	1.25	Disc	O	79	3800X (tp)	TruPilot brake drum. Version of 3726X.

I – Inboard Mount (tp) – Patented TruPilot Feature
 O – Outboard Mount (o) – OEM captive part number
 X – Balanced

Brake Size	Overall Depth	Width of Brake Surface	Backface Thickness	Pilot Dia.	Bolt Circle Dia.	Bolt Holes		Wheel Type	Drum Mount	Drum Weight	Drum P/N	Special Information
						No.	Size					
15.00x4.00	8.60	4.78	0.31	8.78	11.25	10	1.25	Disc	O	66	9000X	Gunite GOLD® Optimum Lightweight 3721A®X.
15.00x4.00	8.87	4.89	0.51	8.78	11.25	10	0.94	n/a	n/a	79	53075-018	BAL
15.00x4.00	8.86	4.78	0.52	8.78	11.25	10	1.28	n/a	n/a	84	54201-108	BAL
15.00x4.00	5.84	4.43	0.51	9.25	11.25	5 & 6	0.78	n/a	n/a	69	54207-018	BAL
15.00x4.00	8.86	4.77	0.51	8.78	11.25	10	1.00	Disc	O	70	54224-018	BAL, Fins, dust shield recess
15.00x4.00	8.84	4.84	0.62	9.00	11.25	10	1.28	n/a	n/a	83	54241-018	BAL
15.00x4.00	9.04	4.50	0.63	9.00	11.25	10	1.25	n/a	n/a	88	54243-018	BAL
15.00x4.00	8.98	4.78	0.51	8.75	11.25	10	0.81	n/a	n/a	75	54272-018	BAL
15.00x4.00	9.04	4.58	0.51	8.78	11.25	10	1.28	n/a	n/a	79	54293-018	BAL
15.00x4.00	8.99	4.66	0.31	8.78	11.25	10	1.25	Disc	O	69	9001X	Gunite GOLD® Optimum Lightweight 3800®X.
15.00x4.00	8.99	4.66	0.31	9.00	10.82	8	1.00	Disc	O	70	9016X	Gunite GOLD® Optimum Lightweight 3741X.
15.00x4.00	8.40	4.58	0.31	8.78	11.25	10	1.25	Disc	O	64	9035X	Gunite GOLD® Optimum Lightweight 3596X.
15.00x4.00	8.79	4.78	0.50	8.78	11.25	10	1.25	Disc	O	79	G1201X	Gunite Value Plus version of the 3721A®X. No TruPilot feature.
15.00x4.00	9.18	4.66	0.50	8.78	11.25	10	1.25	Disc	O	79	G1213X	Gunite Value Plus version of the 3800®X. No TruPilot feature.
15.00x5.00	9.31	5.40	0.50	8.78	11.25	10	1.00	Disc	O	84	3597CX	
15.00x5.00	10.28	7.14	0.50	9.00	10.82	8	1.00	Disc	O	95	3753AX	Low profile brake drum.
15.00x5.00	10.28	7.14	0.50	8.78 and 8.66	11.25	10	1.00	Disc	O	95	3753X (tp)	TruPilot brake drum. Low profile brake drum.
15.00x5.00	9.52	5.94	0.50	8.78	11.25	10	1.00	Disc	O	86	3754X	
15.00x5.00	9.33	5.42	0.50	8.78	11.25	10	1.25	Disc	O	84	3774X	
15.00x5.00	9.22	5.50	0.49	8.78	11.25	10	1.28	n/a	n/a	87	54214-018	BAL
15.00x5.00	9.22	5.47	0.63	9.00	11.25	10	1.28	n/a	n/a	85	54259-018	BAL
15.00x5.00	9.31	5.40	0.50	8.78	11.25	10	1.00	n/a	n/a	80	54296-018	BAL
15.00x6.00	7.43	6.40	0.56	11.25	12.75	6	0.78	Spoke	I	81	3046CX	
15.00x6.00	10.28	7.14	0.50	9.00	10.82	8	1.00	Disc	O	95	3753AX	Low profile brake drum.
15.00x6.00	10.28	7.14	0.50	8.78 and 8.66	11.25	10	1.00	Disc	O	95	3753X (tp)	TruPilot brake drum. Low profile brake drum.
15.00x6.00	9.47	6.26	0.50	8.78	11.25	10	0.94	n/a	n/a	75	54282-018	
15.00x6.00	9.85	6.64	0.50	8.78	11.25	10	1.00	n/a	n/a	79	54295-018	BAL
15.00x7.00	9.98	7.36	0.50	8.78	11.25	10	1.00	Disc	O	98	3097AX	
15.00x7.00	10.47	7.59	0.44	8.78	11.25	10	1.00	Disc	O	106	3219A	
15.00x7.00	8.52	7.44	0.56	10.50	12.75	5/6	0.78	Spoke	I	81	3485B	
15.00x8.62	11.90	9.30	0.50	8.78	11.25	10	1.00	Disc	O	105	3744	Low profile brake drum. Limited to a hub mounting flange O.D. with a max of 13.10 in.
15.00x8.62	11.90	9.30	0.50	9.00	10.82	8	1.00	Disc	O	105	3744AX	Low profile brake drum. Limited to a hub mounting flange O.D. with a max of 13.10 in.

I – Inboard Mount
O – Outboard Mount
X – Balanced

(tp) – Patented TruPilot Feature
(o) – OEM captive part number

Active Part Numbers In Order by Part Number

Active Part Numbers In Order by Size

Obsolete Part Numbers In Order by Part Number

Brake Size	Overall Depth	Width of Brake Surface	Backface Thickness	Pilot Dia.	Bolt Circle Dia.	Bolt Holes		Wheel Type	Drum Mount	Drum Weight	Drum P/N	Special Information
						No.	Size					
15.00x8.62	11.90	9.30	0.50	8.78	11.25	10	1.00	Disc	O	105	3744X	Low profile brake drum. Limited to a hub mounting flange O.D. with a max of 13.10 in.
15.00x8.62	12.20	8.83	0.50	8.78	11.25	10	1.00	Disc	O	112	3750BX	Low profile brake drum, with brake surface wear indicator.
15.00x8.62	12.20	9.49	0.50	8.78	11.25	10	1.00	Disc	O	112	3750X	
15.00x8.62	12.20	9.90	0.49	8.78	11.25	10	1.00	n/a	n/a	103	54228-01	Fins, Approved for 19.5" disc wheels
15.00x8.62	12.20	9.90	0.49	8.78	11.25	10	1.00	n/a	n/a	103	54228-018	Fins, BAL, Approved for 19.5" disc wheels
15.00x8.62	11.77	9.29	0.50	8.78	11.25	10	1.00	n/a	n/a	118	54270-018	BAL
15.125x10.00	12.38	10.48	0.51	9.44	11.25	10	1.31	n/a	n/a	205	52965-119	BAL
15.125x6.00	8.66	6.69	0.50	9.44	11.25	10	1.31	n/a	n/a	134	52966-108	[5holes], Vents, Notched for 121 Exciter, 12.75" Pilot, BAL
16.14x6.00	8.43	6.63	0.63	11.73	13.19	10	0.87	n/a	O	90	54298-118	BAL
16.14x8.62	10.85	9.03	0.61	11.10	13.19	10	0.91	n/a	n/a	145	54253-018	BAL
16.14x8.62	11.81	9.12	0.63	14.41	13.19	10	0.93	n/a	n/a	136	54286-018	11.73 Hub Bore, BAL
16.14x8.625	10.83	8.92	0.63	11.06	13.19	10	1.02	n/a	O	174	54312-108	
16.14x9.00	11.81	9.19	0.63	11.74	13.19	10	0.91	n/a	O	130	54299-118	BAL
16.50x10.00	13.34	10.50	0.46	8.54	11.25	10	0.81	Disc	O	168	3475	
16.50x10.00	13.19	10.69	0.50	8.78	11.25	10	1.00	Disc	O	183	54290-018	BAL
16.50x4.00	6.41	5.23	0.56	10.00	12.75	5 & 6	0.78	n/a	O	87	54217-018	BAL
16.50x5.00	6.12	5.38	0.56	9.25	11.25	10	0.65	Disc	I	90	2912HX	
16.50x5.00	6.12	5.38	0.56	9.25	11.25	10	1.14	Disc	I	90	2912K	
16.50x5.00	9.16	5.38	0.62	9.00	11.25	10	1.25	Disc	O	108	2920X	Furnished with set screw holes. PACCAR use 3075X.
16.50x5.00	6.41	5.33	0.56	10.00	12.75	6	0.78	Spoke	I	89	3020X (o)	Serviced by 3289X.
16.50x5.00	6.40	5.34	0.56	10.00	12.75	7	0.78	Disc	I	88	3289X	
16.50x5.00	6.40	5.34	0.56	10.00	12.75	5	0.78	Spoke	I	88	3289X	
16.50x5.00	6.40	5.34	0.56	10.00	12.75	6	0.78	Spoke	I	88	3289X	
16.50x5.00	9.04	5.38	0.50	8.78	11.25	10	1.25	Disc	O	98	3573X (o)	Serviced by 3710X.
16.50x5.00	8.02	5.40	0.50	8.78	11.25	10	1.00	Disc	O	98	3595AX	
16.50x5.00	8.02	5.40	0.50	8.78	11.25	10	1.25	Disc	O	98	3595X	
16.50x5.00	9.34	5.40	0.50	8.78	11.25	10	1.00	Disc	O	96	3598BX	
16.50x5.00	9.34	5.40	0.50	8.78	11.25	10	1.25	Disc	O	96	3598X	
16.50x5.00	8.58	5.48	0.50	8.78	11.25	10	1.25	Disc	O	84	3676AX	
16.50x5.00	9.04	5.38	0.50	8.78 and 8.66	11.25	10	1.25	Disc	O	96	3710X (tp)	TruPilot brake drum.
16.50x5.00	9.37	5.43	0.50	8.78	11.25	10	1.25	Disc	O	96	3758X	
16.50x5.00	6.12	5.38	0.50	9.25	11.25	6	0.78	Spoke	I	81	3767X	
16.50x5.00	8.10	5.47	0.63	8.78	11.25	10	1.28	n/a	O	90	54216-018	BAL
16.50x5.00	9.14	5.29	0.49	8.78	11.25	10	1.25	n/a	O	101	54238-018	BAL
16.50x5.00	8.56	5.50	0.49	8.78	11.25	10	1.00	Disc	O	99	54257-018	BAL
16.50x5.00	9.22	5.52	0.63	9.00	11.25	10	1.28	Disc	O	101	54275-018	BAL
16.50x5.00	8.82	5.70	0.26	8.78	11.25	10	1.28	Disc	O	73	80005-018	Trident® Composite Steel Shell
16.50x5.00	6.69	5.35	0.56	10.00	12.75	6	0.78	Spoke	I	84	8715X (o)	
16.50x5.00	8.85	5.38	0.31	8.78	11.25	10	1.25	Disc	O	80	9002X	Gunite GOLD® Optimum Lightweight 3710X.
16.50x5.00	9.23	5.38	0.31	8.78	11.25	10	1.25	Disc	O	83	9003X	Gunite GOLD® Optimum Lightweight 3758X.

I – Inboard Mount
 O – Outboard Mount
 X – Balanced
 (tp) – Patented TruPilot Feature
 (o) – OEM captive part number

Brake Size	Overall Depth	Width of Brake Surface	Backface Thickness	Pilot Dia.	Bolt Circle Dia.	Bolt Holes		Wheel Type	Drum Mount	Drum Weight	Drum P/N	Special Information
						No.	Size					
16.50x6.00	7.43	6.40	0.56	11.25	12.75	6	0.78	Spoke	I	100	3022BX	
16.50x6.00	9.74	6.40	0.62	9.00	11.25	10	1.25	Disc	O	109	3437X	
16.50x6.00	9.74	6.52	0.62	8.78	11.25	10	1.25	Disc	O	108	3687X	
16.50x6.00	9.65	6.74	0.50	8.78	11.25	10	1.00	Disc	O	108	3772X	
16.50x6.00	9.88	6.78	0.62	9.00	11.25	10	1.25	Disc	O	131	3786X	
16.50x6.00	7.44	6.32	0.50	11.25	12.75	6	0.78	n/a	O	105	54210-018	BAL
16.50x6.00	9.76	6.47	0.63	8.78	11.25	10	1.00	n/a	n/a	126	54242-018	BAL
16.50x6.00	9.76	6.41	0.61	8.78	11.25	10	1.31	n/a	O	106	54248-018	BAL
16.50x6.00	9.76	6.41	0.61	9.00	11.25	10	1.31	n/a	O	106	54248-308	BAL
16.50x6.00	9.44	6.57	0.49	11.25	13.19	10	1.00	Disc	O	103	54258-018	BAL
16.50x6.00	9.75	6.50	0.63	8.53	11.25	10	1.28	Disc	O	124	54266-018	BAL
16.50x6.00	9.65	6.62	0.50	11.25	13.19	10	1.00	Disc	O	103	54268-018	Vertical Ribs, BAL
16.50x6.00	9.65	6.62	0.50	11.25	13.19	10	1.00	Disc	O	103	54268-128	BAL
16.50x6.00	9.88	6.67	0.61	8.78	11.25	10	1.00	Disc	O	123	54292-018	BAL
16.50x6.00	9.54	6.73	0.49	8.78	11.25	10	1.28	Disc	O	130	54301-018	BAL
16.50x7.00	8.75	7.50	0.44	9.50	11.25	5	0.81	Spoke	I	100	2546C	
16.50x7.00	8.75	7.50	0.44	9.50	11.25	6	0.65	Spoke	I	100	2546C	
16.50x7.00	8.44	7.38	0.50	11.00	12.50	5/6	0.65	Spoke	I	101	2577A	Mack use 3143X for 5 hole application.
16.50x7.00	9.50	7.56	0.43	9.44	11.25	10	0.87	Disc	I	105	2705	For severe duty use 3732.
16.50x7.00	8.41	7.63	0.56	9.44	11.00	6	0.65	Spoke	I	108	2983C	For severe duty use 3556.
16.50x7.00	8.41	7.63	0.56	9.44	11.00	5	0.78	Spoke	I	108	2983C	For severe duty use 3556.
16.50x7.00	8.74	7.58	0.60	10.50	12.75	5/6	0.78	Spoke	I	107	2997D	
16.50x7.00	8.74	7.50	0.69	9.50	11.25	10	0.81	Spoke/Disc	I	113	3018A	For severe duty use 3564A.
16.50x7.00	8.46	7.41	0.56	11.25	12.75	6	0.78	Spoke	I	106	3027CX	Serviced by 3295AX.
16.50x7.00	8.76	7.44	0.56	11.25	12.75	6	0.78	Spoke	I	118	3028BX	
16.50x7.00	8.22	7.40	0.56	11.25	12.75	6	0.78	Spoke	I	107	3112AX	
16.50x7.00	10.74	7.52	0.59	9.44	11.25	10	0.84	Disc	O	114	3120	
16.50x7.00	8.03	7.44	0.59	14.25	12.75	5	0.65	Spoke	I	105	3136A	
16.50x7.00	8.03	7.44	0.59	14.25	12.75	6	0.65	Spoke	I	105	3136A	
16.50x7.00	8.03	7.44	0.59	14.25	12.75	5	0.78	Spoke	I	106	3136B	
16.50x7.00	10.59	7.75	0.50	9.00	11.25	10	0.81	Disc	O	105	3141	For severe duty use 3578.
16.50x7.00	10.59	7.75	0.50	9.00	10.82	8	1.00	Disc	O	105	3141B	
16.50x7.00	10.59	7.75	0.50	9.00	11.25	10	0.81	Disc	O	105	3141X	For severe duty use 3578X.
16.50x7.00	10.59	7.63	0.44	8.53	11.25	10	0.81	Disc	O	115	3166	For use on aluminum hubs only.
16.50x7.00	10.59	7.63	0.44	8.53	11.25	10	0.81	Disc	O	115	3166AX	For use on ferrous hubs only.
16.50x7.00	10.59	7.63	0.44	8.53	11.25	10	0.81	Disc	O	115	3166X	For use on aluminum hubs only.
16.50x7.00	8.50	7.44	0.50	8.66	11.25	10	0.81	Disc	I	105	3195X	
16.50x7.00	8.20	7.40	0.60	11.25	12.75	6	0.78	Spoke	I	127	3265X	Rated for applications up to 238K GAWR
16.50x7.00	8.46	7.41	0.56	11.25	12.75	5/6	0.78	Spoke	I	107	3295A	Serviced by 3295AX.
16.50x7.00	8.46	7.41	0.56	11.25	12.75	5/6	0.78	Spoke	I	107	3295AX	
16.50x7.00	10.60	7.74	0.50	8.78	11.25	10	1.00	Disc	O	115	3401	
16.50x7.00	10.60	7.74	0.50	9.00	10.82	8	1.00	Disc	O	115	3401AX	

I – Inboard Mount
O – Outboard Mount
X – Balanced

(tp) – Patented TruPilot Feature
(o) – OEM captive part number

Brake Size	Overall Depth	Width of Brake Surface	Backface Thickness	Pilot Dia.	Bolt Circle Dia.	Bolt Holes		Wheel Type	Drum Mount	Drum Weight	Drum P/N	Special Information
						No.	Size					
16.50x7.00	10.60	7.74	0.50	8.78	11.25	10	1.00	Disc	O	115	3401X	
16.50x7.00	10.30	7.40	0.50	9.00	10.82	8	1.00	Disc	O	111	3402AX	
16.50x7.00	10.30	7.40	0.50	8.78	11.25	10	1.00	Disc	O	111	3402X	
16.50x7.00	10.31	7.69	0.50	9.00	11.25	10	0.87	Disc	O	112	3441X	
16.50x7.00	10.54	7.60	0.50	8.78	11.25	10	1.00	Disc	O	131	3576	Severe duty version of 3600A®.
16.50x7.00	10.54	7.60	0.50	8.78	11.25	10	1.00	Disc	O	131	3576X	Severe duty version of 3600A®X.
16.50x7.00	10.56	7.60	0.53	8.78	11.25	10	1.00	Disc	O	112	3600A	For severe duty use 3576.
16.50x7.00	10.56	7.60	0.53	8.78	11.25	10	1.00	Disc	O	112	3600AX	For severe duty use 3576X.
16.50x7.00	8.92	7.40	0.50	9.37	11.25	10	0.81	Disc	I	104	3618	
16.50x7.00	11.18	7.44	0.50	8.78	11.25	10	1.00	Disc	O	114	3647X (o)	Serviced by 3757X.
16.50x7.00	8.50	7.44	0.50	8.66	11.25	10	0.81	Disc	I	105	3691X (o)	Serviced by 3195X.
16.50x7.00	10.38	7.70	0.53	8.53	11.25	10	0.81	Disc	O	128	3699	
16.50x7.00	10.38	7.70	0.53	8.53	11.25	10	0.81	Disc	O	128	3699X	
16.50x7.00	11.18	7.44	0.50	8.78	11.25	10	1.00	Disc	O	114	3757	
16.50x7.00	11.18	7.44	0.50	8.78	11.25	10	1.00	Disc	O	114	3757X	
16.50x7.00	10.53	7.72	0.50	8.78	11.25	10	1.00	Disc	O	111	3773X	
16.50x7.00	10.12	7.50	0.50	8.78	11.25	10	1.00	Disc	O	107	3796X	
16.50x7.00	9.00	7.81	0.50	11.25	12.75	6	0.65	Spoke	I	97	3826	
16.50x7.00	9.00	7.81	0.50	11.25	12.75	5	0.78	Spoke	I	97	3826	
16.50x7.00	10.82	7.70	0.50	8.78	11.25	10	1.00	Disc	O	123	3889X	
16.50x7.00	10.56	7.78	0.53	8.78	11.25	10	1.00	Disc	O	105	3922X	Use 3600A®X For O.E. Applications.
16.50x7.00	10.53	7.60	0.50	8.78	11.25	10	1.00	Disc	O	99.5	4000X	Gunite Silver Lightweight 3600A®X.
16.50x7.00	8.13	7.30	0.41	11.00	12.75	5 & 6	0.64	n/a	n/a	108	51952-11	
16.50x7.00	9.50	7.63	0.53	9.44	11.25	10	0.83	n/a	O	99	52020-01	
16.50x7.00	8.44	7.44	0.61	11.25	12.75	5 & 6	0.78	n/a	n/a	101	52120-12	BAL - Special Order
16.50x7.00	8.44	7.44	0.61	11.25	12.75	5 & 6	0.78	n/a	n/a	101	52120-128	
16.50x7.00	8.39	7.50	0.50	9.44	11.00	5 & 6	0.78 & 0.66	n/a	I	105	52230-10	
16.50x7.00	8.75	7.50	0.50	9.50	11.25	10	0.81	n/a	n/a	108	52327-10	
16.50x7.00	10.61	7.81	0.51	9.00	11.25	10	0.81	n/a	O	114	52705-30	
16.50x7.00	10.61	7.82	0.51	9.00	11.25	10	0.81	n/a	O	114	52705-308	BAL
16.50x7.00	10.75	7.52	0.57	9.44	11.25	10	0.81	n/a	O	121	52877-11	[3 holes]
16.50x7.00	10.44	7.51	0.50	8.53	11.25	10	0.81	n/a	O	105	52878-01	Cast-in Grease Slinger
16.50x7.00	8.75	7.63	0.56	10.50	12.75	5 & 6	0.78	n/a	n/a	103	52890-13	
16.50x7.00	10.63	7.81	0.50	8.53	11.25	10	0.81	n/a	O	114	53026-01	
16.50x7.00	10.63	7.81	0.50	8.53	11.25	10	0.81	n/a	O	114	53026-018	BAL, Special Order
16.50x7.00	10.63	7.63	0.50	9.00	10.82	8	1.00	n/a	O	114	53033-30	
16.50x7.00	10.30	7.36	0.51	8.78	11.25	10	1.00	n/a	O	110	54202-01	
16.50x7.00	8.13	7.34	0.49	8.53	11.25	10	0.81	n/a	O	118	54208-01	
16.50x7.00	10.31	7.44	0.49	9.00	11.25	10	0.87	n/a	O	112	54209-018	BAL
16.50x7.00	11.18	7.40	0.51	8.78	11.25	10	1.00	n/a	O	114	54213-01	
16.50x7.00	11.18	7.40	0.51	8.78	11.25	10	1.00	n/a	O	114	54213-018	
16.50x7.00	10.82	7.48	0.50	8.78	11.25	10	1.00	n/a	O	117	54234-018	BAL
16.50x7.00	8.74	7.49	0.53	9.50	11.25	5 & 6	0.82 & 0.65	n/a	n/a	105	54249-01	BAL
16.50x7.00	10.59	7.44	0.50	11.25	13.19	10	1.00	n/a	O	117	54250-01	
16.50x7.00	10.59	7.44	0.50	11.25	13.19	10	1.00	n/a	O	117	54250-018	Dust shield recess
16.50x7.00	10.59	7.60	0.51	8.78	11.25	10	1.00	Disc	O	125	54261-018	BAL Dust shield recess

I – Inboard Mount (tp) – Patented TruPilot Feature
 O – Outboard Mount (o) – OEM captive part number
 X – Balanced

Brake Size	Overall Depth	Width of Brake Surface	Backface Thickness	Pilot Dia.	Bolt Circle Dia.	Bolt Holes		Wheel Type	Drum Mount	Drum Weight	Drum P/N	Special Information
						No.	Size					
16.50x7.00	8.19	7.19	0.51	11.25	12.75	5 & 6	0.78 & 0.66	Disc	I	91	54264-01	BAL
16.50x7.00	10.37	7.46	0.50	8.78	11.25	10	0.94	Disc	O	126	54267-018	11.25 Hub Bore
16.50x7.00	10.56	7.56	0.48	8.78	11.25	10	1.00	Disc	O	102	60000-01	BAL
16.50x7.00	10.56	7.56	0.48	8.78	11.25	10	1.00	Disc	O	102	60000-018	KICast®
16.50x7.00	10.62	7.56	0.53	8.78	11.25	10	1.00	Disc	O	108	60001-018	KICast® BAL
16.50x7.00	10.43	7.60	0.26	8.78	11.25	10	1.00	Disc	O	88	80002-018	Trident® Composite Steel Shell
16.50x7.00	7.93	7.31	0.41	11.00	12.75	6	0.65	Spoke	I	107	8656	
16.50x7.00	7.93	7.31	0.41	11.00	12.75	6	0.65	Spoke	I	107	8656X	
16.50x7.00	10.34	7.66	0.31	8.78	11.25	10	1.00	Disc	O	94	9006X	Gunite GOLD® Optimum Lightweight 3600A®X.
16.50x7.00	9.56	7.56	0.31	9.44	11.25	10	0.84	Disc	I	90	9014X	Gunite GOLD® Optimum Lightweight 2705X.
16.50x7.00	10.46	7.70	0.31	8.53	11.25	10	0.81	Disc	O	96	9021X	Gunite GOLD® Optimum Lightweight 3166AX.
16.50x7.00	10.10	7.34	0.31	8.53	11.25	10	0.81	Disc	O	94	9022X	Gunite GOLD® Optimum Lightweight 3699X.
16.50x7.00	10.11	7.40	0.31	8.78	11.25	10	1.00	Disc	O	98	9036X	Gunite GOLD® Optimum Lightweight 3402X.
16.50x7.00	10.50	7.85	0.31	9.00	10.82	8	1.00	Disc	O	99	9041BX	Gunite GOLD® Optimum Lightweight 3141BX.
16.50x7.00	10.50	7.85	0.31	9.00	11.25	10	1.00	Disc	O	99	9041X	Gunite GOLD® Optimum Lightweight 3141X.
16.50x8.00	11.06	8.60	0.53	8.78	11.25	10	1.00	Disc	O	123	3782	
16.50x8.00	11.06	8.60	0.53	8.78	11.25	10	1.00	Disc	O	123	3782X	
16.50x8.00	11.10	8.61	0.55	8.75	11.25	10	1.03	Disc	O	122	54269-01	Special Order
16.50x8.00	11.10	8.61	0.55	8.75	11.25	10	1.03	Disc	O	122	54269-018	BAL
16.50x8.00	10.78	8.66	0.31	8.78	11.25	10	1.00	Disc	O	105	9020X	Gunite GOLD® Optimum Lightweight 3782X.
16.50x8.62	11.39	9.08	0.62	8.78	11.25	10	1.00	Disc	O	118	3807	
16.50x8.62	11.39	9.08	0.62	8.78	11.25	10	1.00	Disc	O	118	3807A	With brake surface wear indicator.
16.50x8.62	11.39	9.08	0.62	8.78	11.25	10	1.00	Disc	O	118	3807AX	With brake surface wear indicator.
16.50x8.62	11.39	9.08	0.62	8.78	11.25	10	1.00	Disc	O	118	3807X	
16.50x8.62	11.39	9.08	0.62	8.78	11.25	10	1.03	Disc	O	157	3811X	Heavy duty version of 3807X.
16.50x8.62	11.46	8.90	1.00	8.78	11.25	10	0.94	Disc	O	133	3890X	
16.50x8.62	11.41	8.98	0.56	8.78	11.25	10	1.00	n/a	O	117	54229-01	Dust shield recess, fins
16.50x8.62	11.39	9.00	0.56	8.78	11.25	10	1.00	n/a	O	117	54229-018	BAL, Dust shield recess, fins
16.50x8.62	11.56	9.44	0.59	11.25	13.19	10	1.06	n/a	O	181	54231-018	BAL
16.50x8.62	11.28	9.16	0.59	11.25	13.19	10	1.06	n/a	O	147	54232-018	BAL
16.50x8.62	12.37	9.15	0.55	11.25	13.19	10	0.94	n/a	O	139	54251-01	Dust shield recess
16.50x8.62	12.39	9.63	0.51	8.78	11.25	10	1.00	Disc	O	132	54727-01	
16.50x8.62	11.06	9.13	0.26	8.78	11.25	10	1.00	Disc	O	102	80008-018	Trident® Composite Steel Shell
16.50x8.62	11.12	9.00	0.31	8.78	11.25	10	1.00	Disc	O	107	9019X	Gunite GOLD® Optimum Lightweight 3807X.
17.25x5.00	7.50	4.68	0.44	9.88	11.25	10	0.813	Disc	O	66	51421-01	
18.00x7.00	8.88	7.56	0.56	11.25	12.75	6	0.65	Spoke	I	145	2747F	
18.00x7.00	8.88	7.56	0.56	11.25	12.75	6	0.78	Spoke	I	145	2747F	

I – Inboard Mount
O – Outboard Mount
X – Balanced

(tp) – Patented TruPilot Feature
(o) – OEM captive part number

Active Part Numbers In Order by Part Number

Brake Size	Overall Depth	Width of Brake Surface	Backface Thickness	Pilot Dia.	Bolt Circle Dia.	Bolt Holes		Wheel Type	Drum Mount	Drum Weight	Drum P/N	Special Information
						No.	Size					
18.00x7.00	8.24	7.50	0.50	11.00	12.75	6	0.64	Spoke	I	148	3197X	
18.00x7.00	8.20	7.40	0.60	11.25	12.75	6	0.78	Spoke	I	149	3266X	
18.00x7.00	8.25	7.38	0.56	11.00	12.75	6	0.65	Spoke	I	130	3449X (o)	Serviced by 3197X.
18.00x7.00	12.56	7.40	0.56	11.25	13.19	10	1.00	Disc	O	152	3917X	
18.00x7.00	10.09	7.60	0.54	8.78	11.25	10	1.00	Disc	O	140	3930X	
18.00x7.00	8.24	7.48	0.51	11.00	12.75	6	Disc	0.66	I	137	54203-01	
18.00x7.00	8.87	7.56	0.56	11.25	12.75	6 & 6	0.78 & 0.65	n/a	I	145	54230-01	
18.00x7.00	11.95	7.67	0.80	11.25	13.19	10	1.06	Disc	O	200	54304-01	Dust shield recess
18.00x7.00	9.75	7.88	0.56	11.25	13.19	10	1.06	Disc	O	141	555-01811	Special Order
18.00x7.00	8.75	7.50	0.57	9.50	11.25	6	0.75	n/a	I	138	555-18006B	Banded, Special Order, Dust shield recess
18.00x7.00	8.74	7.44	0.56	8.66	11.25	10	0.81	Disc	I	151	8685X (o)	
18.00x7.00	8.24	7.50	0.50	11.00	12.75	6	0.64	Spoke	I	148	8686X (o)	
20.00x7.00	9.25	7.41	0.94	13.25	15.00	12	0.78	n/a	n/a	209	555-2021B	13.50" Pilot, Banded, Special Order
20.00x8.00	12.63	8.56	0.70	11.00	13.19	10	1.06	Disc	O	238	555-20057B	Banded, Special Order
20.00x8.00	12.50	8.50	0.70	10.63	13.19	10	1.06	Disc	O	242	555-2005B	Banded, Special Order
20.00x8.00	10.25	8.52	0.62	10.63	13.19	6	0.81	n/a	I	198	555-2009B	Banded, Special Order
20.00x8.00	10.94	8.61	0.95	13.25	15.00	12	0.78	n/a	n/a	240	555-2023	13.50" Pilot, Special Order
20.00x8.00	10.94	8.61	0.96	11.00	12.50	12	0.66	n/a	n/a	218	555-2027	11.25" Pilot, Special Order
20.00x8.00	11.00	9.00	0.57	9.50	11.25	6	0.66	n/a	I	190	555-2035B	Banded, Special Order, Dust shield recess

Active Part Numbers In Order by Size

Obsolete Part Numbers In Order by Part Number

I – Inboard Mount (tp) – Patented TruPilot Feature
O – Outboard Mount (o) – OEM captive part number
X – Balanced

Drum P/N	Drum Weight	Drum Mount	Wheel Type	Brake Size	Overall Depth	Width of Brake Surface	Backface Thickness	Pilot Dia.	Bolt Circle Dia.	Bolt Holes		Special Information
										No.	Size	
1957 (o)	50	I	Spoke	16.25x3.00	4.24	3.90	0.37	12.25	11.00	6	0.53	
1957X (o)	50	I	Spoke	16.25x3.00	4.24	3.90	0.37	12.25	11.00	6	0.53	
2044B	95	I	Spoke	16.50x6.00	7.03	6.43	0.50	14.25	12.75	5/6	0.65	Circumferential ribs.
2044BX	95	I	Spoke	16.50x6.00	7.03	6.43	0.50	14.25	12.75	5/6	0.65	Circumferential ribs.
2166	85	I	Spoke	16.50x6.00	8.00	6.75	0.37	15.00	14.00	5	0.65	
2166X	85	I	Spoke	16.50x6.00	8.00	6.75	0.37	15.00	14.00	5	0.65	
2175	84	I	Spoke	16.50x6.00	8.06	6.68	0.50	11.00	12.50	6	0.78	
2175X	84	I	Spoke	16.50x6.00	8.06	6.68	0.50	11.00	12.50	6	0.78	
2193	87	I	Spoke	16.50x7.00	8.50	7.56	0.43	15.00	14.00	5	0.65	
2193X	87	I	Spoke	16.50x7.00	8.50	7.56	0.43	15.00	14.00	5	0.65	
2210	84	I	Spoke	16.50x6.00	7.56	6.50	0.50	11.00	12.50	5	0.66	Mack use 8668X.
2210	84	I	Spoke	16.50x6.00	7.56	6.50	0.50	11.00	12.50	6	0.66	
2210X	84	I	Spoke	16.50x6.00	7.56	6.50	0.50	11.00	12.50	5	0.66	
2210X	84	I	Spoke	16.50x6.00	7.56	6.50	0.50	11.00	12.50	6	0.66	
2213A	60	I	Spoke	16.00x5.00	7.06	5.62	0.50	11.00	12.50	5	0.65	
2213AX	60	I	Spoke	16.00x5.00	7.06	5.62	0.50	11.00	12.50	5	0.65	
2239	111	I	Spoke	16.50x7.00	8.93	7.50	0.56	11.00	12.50	6	0.78	
2239B	111	I	Spoke	16.50x7.00	8.93	7.59	0.56	11.00	12.50	6	0.65	
2239BX	111	I	Spoke	16.50x7.00	8.93	7.59	0.56	11.00	12.50	6	0.65	
2239D	111	I	Spoke	16.50x7.00	8.93	7.44	0.56	11.25	12.75	6	0.78	
2239DX	111	I	Spoke	16.50x7.00	8.93	7.44	0.56	11.25	12.75	6	0.78	
2239X	111	I	Spoke	16.50x7.00	8.93	7.50	0.56	11.00	12.50	6	0.78	
2242	90	O	Disc	14.50x5.00	8.31	5.62	0.50	9.44	11.25	10	1.28	Furnished with set screw holes.
2242X	90	O	Disc	14.50x5.00	8.31	5.62	0.50	9.44	11.25	10	1.28	Furnished with set screw holes.
2247	58	I	Spoke	15.00x4.50	5.81	5.06	0.50	11.25	12.75	5	0.65	
2247X	58	I	Spoke	15.00x4.50	5.81	5.06	0.50	11.25	12.75	5	0.65	
2249	95	I	Spoke	16.50x5.50	7.50	6.31	0.50	11.25	12.75	5	0.65	
2249X	95	I	Spoke	16.50x5.50	7.50	6.31	0.50	11.25	12.75	5	0.65	
2251	100	I	Spoke	16.50x6.00	9.53	7.75	0.50	11.25	12.75	5	0.65	
2251A	100	I	Spoke	16.50x6.00	9.53	7.75	0.50	11.25	12.75	5	0.65	
2251AX	100	I	Spoke	16.50x6.00	9.53	7.75	0.50	11.25	12.75	5	0.65	
2251X	100	I	Spoke	16.50x6.00	9.53	7.75	0.50	11.25	12.75	5	0.65	
2256A	65	I	Spoke	15.00x5.00	6.21	5.50	0.43	11.00	12.50	5	0.65	
2256AX	65	I	Spoke	15.00x5.00	6.21	5.50	0.43	11.00	12.50	5	0.65	
2256C	65	I	Spoke	15.00x5.00	6.21	5.50	0.43	11.00	12.50	5	0.53	
2256CX	65	I	Spoke	15.00x5.00	6.21	5.50	0.43	11.00	12.50	5	0.53	
2256D	65	I	Spoke	15.00x5.00	6.01	4.93	0.43	11.00	12.50	5	0.53	
2256DX	65	I	Spoke	15.00x5.00	6.01	4.93	0.43	11.00	12.50	5	0.53	
2281	102	I	Disc	16.50x7.00	8.25	7.56	0.47	9.44	11.25	10	1.03	
2281X	102	I	Disc	16.50x7.00	8.25	7.56	0.47	9.44	11.25	10	1.03	
2283	104	I	Spoke	16.50x7.00	8.43	7.50	0.50	11.25	12.75	5	0.78	
2283B	104	I	Spoke	16.50x6.00	8.00	6.93	0.50	11.25	12.75	5	0.78	
2283BX	104	I	Spoke	16.50x6.00	8.00	6.93	0.50	11.25	12.75	5	0.78	
2283C	104	I	Spoke	16.50x7.00	8.43	7.50	0.50	11.25	12.75	5	0.65	
2283CX	104	I	Spoke	16.50x7.00	8.43	7.50	0.50	11.25	12.75	5	0.65	
2283D	104	I	Spoke	16.50x6.00	8.00	6.93	0.50	11.25	12.75	5	0.65	
2283DX	104	I	Spoke	16.50x6.00	8.00	6.93	0.50	11.25	12.75	5	0.65	
2283F	104	I	Spoke	16.50x6.00	8.00	6.93	0.50	11.00	12.50	5	0.65	
2283FX	104	I	Spoke	16.50x6.00	8.00	6.93	0.50	11.00	12.50	5	0.65	
2283X	104	I	Spoke	16.50x6.00	8.43	7.50	0.50	11.25	12.75	5	0.78	Serviced by 3295AX.
2287	89	I	Spoke	16.50x5.50	6.93	5.96	0.50	11.00	12.50	6	0.65	
2287X	89	I	Spoke	16.50x5.50	6.93	5.96	0.50	11.00	12.50	6	0.65	

I – Inboard Mount
O – Outboard Mount
X – Balanced

(tp) – Patented TruPilot Feature
(o) – OEM captive part number

Active Part Numbers In Order by Part Number

Active Part Numbers In Order by Size

Obsolete Part Numbers In Order by Part Number

Drum P/N	Drum Weight	Drum Mount	Wheel Type	Brake Size	Overall Depth	Width of Brake Surface	Backface Thickness	Pilot Dia.	Bolt Circle Dia.	Bolt Holes		Special Information
										No.	Size	
2289	80	I	Spoke	16.50x5.50	6.93	5.96	0.50	11.00	12.50	5	0.65	
2289A	79	I	Spoke	16.50x5.50	6.81	5.56	0.50	11.25	12.75	5	0.65	
2289AX	79	I	Spoke	16.50x5.50	6.81	5.56	0.50	11.25	12.75	5	0.65	
2289B	79	I	Spoke	16.50x5.50	6.81	5.56	0.50	11.25	12.75	6	0.65	
2289BX	79	I	Spoke	16.50x5.50	6.81	5.56	0.50	11.25	12.75	6	0.65	
2289X	80	I	Spoke	16.50x5.50	6.93	5.96	0.50	11.00	12.50	5	0.65	
2295	38	I	Spoke	16.25x2.25	4.45	2.87	0.37	12.25	11.00	6	0.53	
2295X	38	I	Spoke	16.25x2.25	4.45	2.87	0.37	12.25	11.00	6	0.53	
2298	94	I	Spoke	16.00x6.00	9.75	6.53	0.50	11.00	12.50	5	0.65	
2298X	94	I	Spoke	16.00x6.00	9.75	6.53	0.50	11.00	12.50	5	0.65	
2303	29	I	Spoke	14.00x2.50	3.50	2.90	0.31	10.00	11.00	5	0.53	
2303A	29	I	Spoke	14.00x2.50	3.50	2.90	0.31	10.00	11.00	5	0.53	
2303AX	29	I	Spoke	14.00x2.50	3.50	2.90	0.31	10.00	11.00	5	0.53	
2303X	29	I	Spoke	14.00x2.50	3.50	2.90	0.31	10.00	11.00	5	0.53	
2306	53	I	Spoke	16.50x4.50	6.03	5.06	0.50	11.00	12.50	5	0.65	
2306X	53	I	Spoke	16.50x4.50	6.03	5.06	0.50	11.00	12.50	5	0.65	
2307	85	I	Spoke	16.00x6.00	8.31	6.62	0.50	11.25	12.75	5	0.78	
2307X	85	I	Spoke	16.00x6.00	8.31	6.62	0.50	11.25	12.75	5	0.78	
2312	40	I	Spoke	16.00x2.50	3.50	2.93	0.43	8.99	10.50	5	0.53	
2312X	40	I	Spoke	16.00x2.50	3.50	2.93	0.43	8.99	10.50	5	0.53	
2323	57	I	Spoke	16.25x3.50	4.95	4.06	0.37	10.00	11.00	5	0.53	
2323X	57	I	Spoke	16.25x3.50	4.95	4.06	0.37	10.00	11.00	5	0.53	
2324	53	I	Spoke	15.00x4.50	6.01	4.93	0.43	11.00	12.50	5	0.53	
2324X	53	I	Spoke	15.00x4.50	6.01	4.93	0.43	11.00	12.50	5	0.53	
2325	109	I	Spoke	16.50x7.00	9.00	7.43	0.50	11.00	12.50	5	0.65	
2325X	109	I	Spoke	16.50x7.00	9.00	7.43	0.50	11.00	12.50	5	0.65	
2326B	97	I	Spoke	16.50x7.00	8.00	7.40	0.50	14.25	12.75	5/6	0.65	
2326BX	97	I	Spoke	16.50x7.00	8.00	7.40	0.50	14.25	12.75	5/6	0.65	
2333	90	I	Spoke	16.50x6.00	7.21	6.50	0.50	11.00	12.50	5	0.65	
2333X	90	I	Spoke	16.50x6.00	7.21	6.50	0.50	11.00	12.50	5	0.65	
2336	70	I	Spoke	17.25x3.50	6.50	4.06	0.43	12.25	11.00	6	0.53	
2336X	70	I	Spoke	17.25x3.50	6.50	4.06	0.43	12.25	11.00	6	0.53	
2340	45	I	Spoke	16.00x2.50	4.64	3.18	0.37	10.00	11.00	5	0.53	
2340X	45	I	Spoke	16.00x2.50	4.64	3.18	0.37	10.00	11.00	5	0.53	
2342	96	I	Spoke	16.50x7.00	8.25	7.43	0.50	11.25	12.75	5	0.64	
2342A	96	I	Spoke	16.50x7.00	8.25	7.43	0.50	11.25	12.75	5	0.78	
2342AX	96	I	Spoke	16.50x7.00	8.25	7.43	0.50	11.25	12.75	5	0.78	
2342X	96	I	Spoke	16.50x7.00	8.25	7.43	0.50	11.25	12.75	5	0.64	
2346	90	I	Spoke	16.50x6.00	8.75	6.46	0.50	11.00	12.50	5	0.65	
2346B	90	I	Spoke	16.50x6.00	8.75	6.46	0.50	11.25	12.75	6	0.78	
2346BX	90	I	Spoke	16.50x6.00	8.75	6.46	0.50	11.25	12.75	6	0.78	
2346X	90	I	Spoke	16.50x6.00	8.75	6.46	0.50	11.00	12.50	5	0.65	
2352	94	I	Spoke	16.50x6.00	8.25	6.56	0.46	9.50	11.25	5	0.81	
2352	94	I	Spoke	16.50x6.00	8.25	6.56	0.46	9.50	11.25	6	0.65	
2352A	94	I	Disc	16.50x6.00	8.25	6.56	0.46	9.50	11.25	10	0.81	
2352AX	94	I	Disc	16.50x6.00	8.25	6.56	0.46	9.50	11.25	10	0.81	
2352X	94	I	Spoke	16.50x6.00	8.25	6.56	0.46	9.50	11.25	5/6	0.81	
2353	98	I	Spoke	16.50x7.00	8.18	7.40	0.50	9.44	11.00	5/6	0.65	
2353B	98	I	Spoke	16.50x7.00	8.18	7.40	0.50	9.44	11.00	5	0.78	
2353BX	98	I	Spoke	16.50x7.00	8.18	7.40	0.50	9.44	11.00	5	0.78	
2353C	98	I	Spoke	16.50x7.00	8.18	7.40	0.50	9.44	11.00	5/6	0.65	
2353CX	98	I	Spoke	16.50x7.00	8.18	7.40	0.50	9.44	11.00	5/6	0.65	
2353D	98	I	Spoke	16.50x7.00	8.18	7.40	0.50	9.44	11.00	6	0.78	

I – Inboard Mount
O – Outboard Mount
X – Balanced

(tp) – Patented TruPilot Feature
(o) – OEM captive part number

Drum P/N	Drum Weight	Drum Mount	Wheel Type	Brake Size	Overall Depth	Width of Brake Surface	Backface Thickness	Pilot Dia.	Bolt Circle Dia.	Bolt Holes		Special Information
										No.	Size	
2353DX	98	I	Spoke	16.50x7.00	8.18	7.40	0.50	9.44	11.00	6	0.78	
2353E	98	I	Spoke	16.50x7.00	8.18	7.40	0.50	9.44	11.00	6	0.65	
2353EX	98	I	Spoke	16.50x7.00	8.18	7.40	0.50	9.44	11.00	6	0.65	
2353X	98	I	Spoke	16.50x7.00	8.18	7.40	0.50	9.44	11.00	5/6	0.65	
2360	107	I	Spoke	16.50x7.00	8.71	7.43	0.50	11.25	12.75	5	0.65	
2360C	107	I	Spoke	16.50x7.00	8.81	7.53	0.50	11.25	12.75	5	0.65	
2360CX	107	I	Spoke	16.50x7.00	8.81	7.53	0.50	11.25	12.75	5	0.65	
2360X	107	I	Spoke	16.50x7.00	8.71	7.43	0.50	11.25	12.75	5	0.65	
2389	50	I	Spoke	16.25x3.50	4.62	4.09	0.43	9.75	10.87	5	0.59	
2389A	50	I	Spoke	16.25x2.25	4.62	4.09	0.43	9.75	10.87	6	0.59	
2389AX	50	I	Spoke	16.25x2.25	4.62	4.09	0.43	9.75	10.87	6	0.59	
2389B	50	I	Spoke	16.25x3.50	4.62	4.09	0.43	9.75	10.87	5/6	0.59	
2389BX	50	I	Spoke	16.25x3.50	4.62	4.09	0.43	9.75	10.87	5/6	0.59	
2389X	50	I	Spoke	16.25x3.50	4.62	4.09	0.43	9.75	10.87	5	0.59	
2392	97	I	Spoke	16.50x6.00	7.56	6.81	0.50	11.25	12.75	5	0.65	
2392X	97	I	Spoke	16.50x6.00	7.56	6.81	0.50	11.25	12.75	5	0.65	
2394	35	I	Spoke	15.00x3.00	3.96	3.46	0.38	10.00	11.25	5	0.53	Labyrinth seal.
2394X	35	I	Spoke	15.00x3.00	3.96	3.46	0.38	10.00	11.25	5	0.53	Labyrinth seal.
2396	109	I	Spoke	16.50x7.00	8.44	7.50	0.50	11.25	12.75	6	0.78	
2396X	109	I	Spoke	16.50x7.00	8.44	7.50	0.50	11.25	12.75	6	0.78	Serviced by 3295AX.
2400	86	I	Spoke	15.00x7.00	9.53	7.50	0.56	9.75	11.25	5	0.65	Labyrinth seal.
2400B	86	I	Spoke	15.00x7.00	9.53	7.50	0.56	9.75	11.25	10	0.81	Labyrinth seal.
2400BX	86	I	Spoke	15.00x7.00	9.53	7.50	0.56	9.75	11.25	10	0.81	Labyrinth seal.
2400X	86	I	Spoke	15.00x7.00	9.53	7.50	0.56	9.75	11.25	5	0.65	Labyrinth seal.
2401	79	I	Spoke	15.00x6.00	8.53	6.62	0.50	9.75	11.25	5	0.65	Labyrinth seal.
2401B	79	I	Disc	15.00x6.00	8.53	6.62	0.50	9.75	11.25	10	0.81	Labyrinth seal.
2401BX	79	I	Disc	15.00x6.00	8.53	6.62	0.50	9.75	11.25	10	0.81	Labyrinth seal.
2401X	79	I	Spoke	15.00x6.00	8.53	6.62	0.50	9.75	11.25	5	0.65	Labyrinth seal.
2406	113	I	Spoke	16.50x7.00	10.12	7.93	0.50	11.00	12.50	6	0.78	
2406X	113	I	Spoke	16.50x7.00	10.12	7.93	0.50	11.00	12.50	6	0.78	
2500	87	I	Spoke	16.50x6.00	7.25	6.43	0.46	11.25	12.75	5/6	0.65	
2500X	87	I	Spoke	16.50x6.00	7.25	6.43	0.46	11.25	12.75	5/6	0.65	
2507	79	I	Spoke	15.00x7.00	9.00	7.43	0.50	11.00	12.50	5	0.65	
2507B	79	I	Spoke	15.00x7.00	8.62	7.43	0.50	11.00	12.50	5	0.65	
2507BX	79	I	Spoke	15.00x7.00	8.62	7.43	0.50	11.00	12.50	5	0.65	
2507X	79	I	Spoke	15.00x7.00	9.00	7.43	0.50	11.00	12.50	5	0.65	
2508	73	I	Spoke	15.00x6.00	8.62	6.50	0.46	11.00	12.50	5	0.65	
2508A	72	I	Spoke	15.00x6.00	8.62	6.50	0.46	11.00	12.50	5/6	0.65	
2508AX	72	I	Spoke	15.00x6.00	8.62	6.50	0.46	11.00	12.50	5/6	0.65	
2508X	73	I	Spoke	15.00x6.00	8.62	6.50	0.46	11.00	12.50	5	0.65	
2509	94	I	Spoke	16.50x7.00	8.71	7.43	0.50	11.25	12.75	5	0.78	
2509X	94	I	Spoke	16.50x7.00	8.71	7.43	0.50	11.25	12.75	5	0.78	
2511	67	I	Spoke	15.00x6.00	7.25	6.50	0.43	11.00	12.50	5	0.65	
2511A	67	I	Spoke	15.00x6.00	7.25	6.50	0.43	11.25	12.75	5	0.65	
2511AX	67	I	Spoke	15.00x6.00	7.25	6.50	0.43	11.25	12.75	5	0.65	
2511X	67	I	Spoke	15.00x6.00	7.25	6.50	0.43	11.00	12.50	5	0.65	
2512	89	I	Disc	16.50x7.00	8.31	7.75	0.43	13.50	15.00	10	0.53	
2512X	89	I	Disc	16.50x7.00	8.31	7.75	0.43	13.50	15.00	10	0.53	
2516	67	I	Spoke	15.00x6.00	7.25	6.43	0.43	11.25	12.75	5	0.65	
2516X	67	I	Spoke	15.00x6.00	7.25	6.43	0.43	11.25	12.75	5	0.65	
2517	82	I	Spoke	15.00x7.00	8.62	7.31	0.50	11.25	12.75	5	0.65	
2517A	82	I	Spoke	15.00x7.00	8.50	7.43	0.50	11.25	12.75	5	0.78	
2517AX	82	I	Spoke	15.00x7.00	8.50	7.43	0.50	11.25	12.75	5	0.78	

I – Inboard Mount (tp) – Patented TruPilot Feature
O – Outboard Mount (o) – OEM captive part number
X – Balanced

Active Part Numbers In Order by Part Number

Drum P/N	Drum Weight	Drum Mount	Wheel Type	Brake Size	Overall Depth	Width of Brake Surface	Backface Thickness	Pilot Dia.	Bolt Circle Dia.	Bolt Holes		Special Information
										No.	Size	
2517C	81	I	Spoke	15.00x7.00	8.81	7.62	0.50	11.25	12.75	5/6	0.65	
2517CX	81	I	Spoke	15.00x7.00	8.81	7.62	0.50	11.25	12.75	5/6	0.65	
2517F	81	I	Spoke	15.00x7.00	8.43	7.50	0.50	11.25	12.75	5/6	0.78	
2517FX	81	I	Spoke	15.00x7.00	8.43	7.50	0.50	11.25	12.75	5/6	0.78	
2517G	81	I	Spoke	15.00x7.00	8.50	7.44	0.56	11.25	12.75	6	0.78	
2517GX	81	I	Spoke	15.00x7.00	8.50	7.44	0.56	11.25	12.75	6	0.78	
2517H	81	I	Spoke	15.00x7.00	8.43	7.50	0.50	11.25	12.75	5/6	0.78	
2517HX	81	I	Spoke	15.00x7.00	8.43	7.50	0.50	11.25	12.75	5/6	0.78	
2517M	81	I	Spoke	15.00x7.00	8.50	7.44	0.56	11.25	12.75	6	0.78	Unequally spaced exciter ring mounting.
2517MX	81	I	Spoke	15.00x7.00	8.50	7.44	0.56	11.25	12.75	6	0.78	Unequally spaced exciter ring mounting.
2517N	81	I	Spoke	15.00x7.00	8.50	7.44	0.56	11.25	12.75	5	0.78	Unequally spaced exciter ring mounting.
2517NX	81	I	Spoke	15.00x7.00	8.50	7.44	0.56	11.25	12.75	5	0.78	Unequally spaced exciter ring mounting.
2517X	82	I	Spoke	15.00x7.00	8.62	7.31	0.50	11.25	12.75	5	0.65	
2521	86	I	Spoke	15.00x7.00	8.15	7.50	0.56	9.44	11.00	5	0.78	
2521A	85	I	Disc	15.00x7.00	8.15	7.50	0.56	9.37	11.25	10	0.76	
2521AX	85	I	Disc	15.00x7.00	8.15	7.50	0.56	9.37	11.25	10	0.76	
2521C	85	I	Disc	15.00x7.00	8.28	7.62	0.56	9.44	11.00	5	0.65	
2521C	85	I	Disc	15.00x6.00	8.28	7.62	0.56	9.44	11.00	5	0.65	
2521CX	85	I	Disc	15.00x7.00	8.28	7.62	0.56	9.44	11.00	5	0.65	
2521CX	85	I	Disc	15.00x6.00	8.28	7.62	0.56	9.44	11.00	5	0.65	
2521D	85	I	Spoke	15.00x7.00	8.15	7.50	0.56	9.44	11.00	5	0.78	
2521D	85	I	Spoke	15.00x7.00	8.15	7.50	0.56	9.44	11.00	6	0.65	
2521DX	85	I	Spoke	15.00x7.00	8.15	7.50	0.56	9.44	11.00	6	0.65	
2521DX	85	I	Spoke	15.00x7.00	8.15	7.50	0.56	9.44	11.00	5	0.78	
2521E	85	I	Spoke	15.00x6.00	8.15	7.50	0.56	9.50	11.25	5	0.78	
2521E	85	I	Spoke	15.00x7.00	8.15	7.50	0.56	9.50	11.25	5	0.78	
2521EX	85	I	Spoke	15.00x7.00	8.15	7.50	0.56	9.50	11.25	5	0.78	
2521EX	85	I	Spoke	15.00x6.00	8.15	7.50	0.56	9.50	11.25	5	0.78	
2521F	85	I	Spoke	15.00x7.00	8.15	7.50	0.56	9.44	11.00	5	0.78	
2521FX	85	I	Spoke	15.00x7.00	8.15	7.50	0.56	9.44	11.00	5	0.78	
2521H	85	I	Spoke	15.00x7.00	8.15	7.50	0.56	9.44	11.00	5	0.78	
2521HX	85	I	Spoke	15.00x7.00	8.15	7.50	0.56	9.44	11.00	5	0.78	
2521L	85	I	Spoke	15.00x7.00	8.15	7.50	0.56	9.44	11.25	10	1.00	
2521LX	85	I	Spoke	15.00x7.00	8.15	7.50	0.56	9.44	11.25	10	1.00	
2521M	86	I	Spoke	15.00x7.00	8.15	7.50	0.56	9.44	11.00	5	0.78	Unequally spaced exciter ring mounting.
2521MX	86	I	Spoke	15.00x7.00	8.15	7.50	0.56	9.44	11.00	5	0.78	Unequally spaced exciter ring mounting.
2521X	86	I	Spoke	15.00x7.00	8.15	7.50	0.56	9.44	11.00	5	0.78	
2523	22	I	Spoke	14.00x2.50	3.43	3.00	0.34	9.50	10.50	5	0.53	Labyrinth seal.
2523B	22	I	Spoke	14.00x2.50	3.43	3.00	0.34	9.50	10.50	5	0.53	Labyrinth seal.
2523BX	22	I	Spoke	14.00x2.50	3.43	3.00	0.34	9.50	10.50	5	0.53	Labyrinth seal.
2523X	22	I	Spoke	14.00x2.50	3.43	3.00	0.34	9.50	10.50	5	0.53	Labyrinth seal.
2537	84	I	Spoke	16.50x6.00	7.75	6.62	0.43	9.44	11.00	5	0.78	
2537A	83	I	Spoke	16.50x6.00	7.75	6.62	0.43	9.44	11.00	5/6	0.65	
2537AX	83	I	Spoke	16.50x6.00	7.75	6.62	0.43	9.44	11.00	5/6	0.65	
2537B	83	I	Spoke	16.50x6.00	7.75	6.62	0.43	9.44	11.00	5/6	0.65	
2537BX	83	I	Spoke	16.50x6.00	7.75	6.62	0.43	9.44	11.00	5/6	0.65	
2537X	84	I	Spoke	16.50x6.00	7.75	6.62	0.43	9.44	11.00	5	0.78	
2539	90	I	Spoke	16.50x6.00	7.12	6.50	0.40	11.00	12.75	6	0.65	
2539X	90	I	Spoke	16.50x6.00	7.12	6.50	0.40	11.00	12.75	6	0.65	

Active Part Numbers In Order by Size

Obsolete Part Numbers In Order by Part Number

I – Inboard Mount (tp) – Patented TruPilot Feature
O – Outboard Mount (o) – OEM captive part number
X – Balanced

Drum P/N	Drum Weight	Drum Mount	Wheel Type	Brake Size	Overall Depth	Width of Brake Surface	Backface Thickness	Pilot Dia.	Bolt Circle Dia.	Bolt Holes		Special Information
										No.	Size	
2540	115	I	Spoke	18.00x7.00	8.75	7.50	0.43	11.25	12.75	6	0.65	
2540A	114	I	Disc	18.00x7.00	8.75	7.56	0.43	9.50	11.25	10	0.81	
2540AX	114	I	Disc	18.00x7.00	8.75	7.56	0.43	9.50	11.25	10	0.81	
2540X	115	I	Spoke	18.00x7.00	8.75	7.50	0.43	11.25	12.75	6	0.65	
2542	102	I	Spoke	16.50x7.00	8.12	7.43	0.40	11.00	12.75	6	0.65	
2542X	102	I	Spoke	16.50x7.00	8.12	7.43	0.40	11.00	12.75	6	0.65	
2543	92	I	Spoke	16.50x7.00	9.18	7.56	0.43	9.50	11.50	6	0.65	
2543X	92	I	Spoke	16.50x7.00	9.18	7.56	0.43	9.50	11.50	6	0.65	
2545	101	I	Spoke	16.50x7.00	8.75	7.56	0.43	11.25	12.75	6	0.64	
2545X	101	I	Spoke	16.50x7.00	8.75	7.56	0.43	11.25	12.75	6	0.64	
2546	100	I	Disc	16.50x7.00	8.75	7.50	0.44	9.50	11.25	10	0.81	Requires longer drum bolts.
2546A	100	I	Disc	16.50x7.00	8.75	7.50	0.44	9.50	11.25	6	0.65	
2546AX	100	I	Disc	16.50x7.00	8.75	7.50	0.44	9.50	11.25	6	0.65	
2546B	100	I	Disc	16.50x7.00	8.81	7.50	0.44	9.44	11.25	10	0.78	
2546BX	100	I	Disc	16.50x7.00	8.81	7.50	0.44	9.44	11.25	10	0.78	
2546CX	100	I	Spoke	16.50x7.00	8.75	7.50	0.44	9.50	11.25	5	0.81	
2546CX	100	I	Spoke	16.50x7.00	8.75	7.50	0.44	9.50	11.25	6	0.65	
2546D	101	I	Spoke	16.50x7.00	8.75	7.50	0.44	9.50	11.25	5	0.78	
2546DX	101	I	Spoke	16.50x7.00	8.75	7.50	0.44	9.50	11.25	5	0.78	
2546E	101	I	Spoke	16.50x7.00	8.75	7.50	0.44	9.50	11.25	10	0.81	
2546EX	101	I	Spoke	16.50x7.00	8.75	7.50	0.44	9.50	11.25	10	0.81	
2546F	101	I	Spoke	16.50x7.00	8.75	7.50	0.44	9.50	11.25	5	0.78	
2546FX	101	I	Spoke	16.50x7.00	8.75	7.50	0.44	9.50	11.25	5	0.78	
2546G	101	I	Spoke	16.50x7.00	8.75	7.50	0.44	9.50	11.25	6	0.65	
2546G	101	I	Spoke	16.50x7.00	8.75	7.50	0.44	9.50	11.25	6	0.78	
2546GX	101	I	Spoke	16.50x7.00	8.75	7.50	0.44	9.50	11.25	6	0.78	
2546GX	101	I	Spoke	16.50x7.00	8.75	7.50	0.44	9.50	11.25	6	0.65	
2546X	100	I	Disc	16.50x7.00	8.75	7.50	0.44	9.50	11.25	10	0.81	Requires longer drum bolts.
2554	66	I	Spoke	16.50x5.00	6.09	5.43	0.50	9.44	11.00	6	0.65	
2554X	66	I	Spoke	16.50x5.00	6.09	5.43	0.50	9.44	11.00	6	0.65	
2557	50	I	Spoke	16.25x3.50	4.31	3.90	0.50	10.00	11.00	5	0.53	
2557X	50	I	Spoke	16.25x3.50	4.31	3.90	0.50	10.00	11.00	5	0.53	
2561	32	I	Spoke	15.00x3.00	4.14	3.56	0.40	10.00	11.00	5	0.53	
2561X	32	I	Spoke	15.00x3.00	4.14	3.56	0.40	10.00	11.00	5	0.53	
2562	60	I	Spoke	15.00x5.00	6.03	5.46	0.50	9.44	11.00	5/6	0.65	
2562A	61	I	Spoke	15.00x4.00	5.75	5.06	0.50	9.75	10.87	5	0.59	
2562AX	61	I	Spoke	15.00x4.00	5.75	5.06	0.50	9.75	10.87	5	0.59	
2562B	61	I	Spoke	15.00x5.00	6.03	5.46	0.50	9.44	11.00	5	0.78	
2562BX	61	I	Spoke	15.00x5.00	6.03	5.46	0.50	9.44	11.00	5	0.78	
2562X	60	I	Spoke	15.00x5.00	6.03	5.46	0.50	9.44	11.00	5/6	0.65	
2563	49	I	Spoke	15.00x3.50	4.50	4.09	0.34	9.75	10.87	6	0.59	
2563A	49	I	Spoke	15.00x3.50	4.50	4.09	0.34	9.75	10.87	5	0.59	
2563AX	49	I	Spoke	15.00x3.50	4.50	4.09	0.34	9.75	10.87	5	0.59	
2563B	49	I	Spoke	15.00x3.50	4.50	4.09	0.34	9.75	10.87	5/6	0.59	
2563BX	49	I	Spoke	15.00x3.50	4.50	4.09	0.34	9.75	10.87	5/6	0.59	
2563X	49	I	Spoke	15.00x3.50	4.50	4.09	0.34	9.75	10.87	6	0.59	
2566	65	O	Disc	14.50x5.00	8.00	5.31	0.50	9.44	11.25	10	1.28	Furnished with set screw holes.
2566X	65	O	Disc	14.50x5.00	8.00	5.31	0.50	9.44	11.25	10	1.28	Furnished with set screw holes.
2568	127	O	Disc	14.50x8.00	11.50	9.25	0.50	9.44	11.25	10	1.28	Furnished with set screw holes.

I – Inboard Mount
O – Outboard Mount
X – Balanced

(tp) – Patented TruPilot Feature
(o) – OEM captive part number

Active Part Numbers In Order by Part Number

Active Part Numbers In Order by Size

Obsolete Part Numbers In Order by Part Number

Drum P/N	Drum Weight	Drum Mount	Wheel Type	Brake Size	Overall Depth	Width of Brake Surface	Backface Thickness	Pilot Dia.	Bolt Circle Dia.	Bolt Holes		Special Information
										No.	Size	
2568X	127	0	Disc	14.50x8.00	11.50	9.25	0.50	9.44	11.25	10	1.28	Furnished with set screw holes.
2571	86	I	Spoke	15.00x7.00	9.53	7.56	0.50	9.75	11.25	5	0.65	
2571X	86	I	Spoke	15.00x7.00	9.53	7.56	0.50	9.75	11.25	5	0.65	
2572 (o)	46	I	Spoke	16.25x3.50	4.28	3.84	0.37	9.00	11.00	5	0.78	
2572X (o)	46	I	Spoke	16.25x3.50	4.28	3.84	0.37	9.00	11.00	5	0.78	
2573	84	I	Spoke	16.50x7.00	7.81	7.37	0.46	11.25	12.75	5	0.65	
2573X	84	I	Spoke	16.50x7.00	7.81	7.37	0.46	11.25	12.75	5	0.65	
2575A	48	I	Spoke	15.00x3.50	5.00	4.12	0.37	10.00	11.00	5	0.53	
2575AX	48	I	Spoke	15.00x3.50	5.00	4.12	0.37	10.00	11.00	5	0.53	
2577AX	101	I	Spoke	16.50x7.00	8.44	7.38	0.50	11.00	12.50	5/6	0.65	Mack use 3143X for 5 hole application.
2579 (o)	105	I	Spoke	16.50x7.00	8.03	7.44	0.59	14.25	12.75	5	0.65	
2579A (o)	105	I	Spoke	16.50x7.00	8.03	7.44	0.59	14.25	12.75	5	0.65	
2579AX (o)	105	I	Spoke	16.50x7.00	8.03	7.44	0.59	14.25	12.75	5	0.65	
2579X (o)	105	I	Spoke	16.50x7.00	8.03	7.44	0.59	14.25	12.75	5	0.65	
2580	95	I	Spoke	16.50x7.00	8.65	7.62	0.50	11.00	12.50	5	0.65	
2580X	95	I	Spoke	16.50x7.00	8.65	7.62	0.50	11.00	12.50	5	0.65	
2581	63	I	Disc	15.00x4.50	7.07	4.96	0.37	6.25	8.75	6	0.81	Labyrinth seal.
2581A	63	I	Disc	15.00x4.50	7.07	5.00	0.37	6.25	8.75	6	0.81	Labyrinth seal.
2581AX	63	I	Disc	15.00x4.50	7.07	5.00	0.37	6.25	8.75	6	0.81	Labyrinth seal.
2581X	63	I	Disc	15.00x4.50	7.07	4.96	0.37	6.25	8.75	6	0.81	Labyrinth seal.
2582A	54	I	Disc	15.00x4.00	6.56	4.50	0.37	6.25	8.75	6	0.81	Labyrinth seal.
2582AX	54	I	Disc	15.00x4.00	6.56	4.50	0.37	6.25	8.75	6	0.81	Labyrinth seal.
2585	40	I	Spoke	15.00x3.50	4.53	4.00	0.37	10.00	11.00	5	0.53	
2585A	40	I	Spoke	15.00x3.50	4.34	3.90	0.37	10.00	11.00	5	0.53	
2585AX	40	I	Spoke	15.00x3.50	4.34	3.90	0.37	10.00	11.00	5	0.53	
2585B	40	I	Spoke	15.00x3.50	4.40	3.96	0.37	10.00	11.00	5	0.53	
2585BX	40	I	Spoke	15.00x3.50	4.40	3.96	0.37	10.00	11.00	5	0.53	
2585X	40	I	Spoke	15.00x3.50	4.53	4.00	0.37	10.00	11.00	5	0.53	
2594	92	I	Spoke	16.50x6.00	8.15	6.62	0.56	11.00	12.50	5	0.65	
2594A	92	I	Spoke	16.50x6.00	8.15	6.62	0.56	11.00	12.50	6	0.65	
2594AX	92	I	Spoke	16.50x6.00	8.15	6.62	0.56	11.00	12.50	6	0.65	
2594X	92	I	Spoke	16.50x6.00	8.15	6.62	0.56	11.00	12.50	5	0.65	
2598	108	I	Spoke	16.50x7.00	9.53	7.75	0.50	11.25	12.75	5	0.65	
2598	108	I	Spoke	16.50x6.00	9.53	7.75	0.50	11.25	12.75	5	0.65	
2598A	108	I	Spoke	16.50x6.00	9.53	7.75	0.50	11.25	12.75	5	0.65	
2598A	108	I	Spoke	16.50x7.00	9.53	7.75	0.50	11.25	12.75	5	0.65	
2598AX	108	I	Spoke	16.50x7.00	9.53	7.75	0.50	11.25	12.75	5	0.65	
2598AX	108	I	Spoke	16.50x6.00	9.53	7.75	0.50	11.25	12.75	5	0.65	
2598X	108	I	Spoke	16.50x7.00	9.53	7.75	0.50	11.25	12.75	5	0.65	
2598X	108	I	Spoke	16.50x6.00	9.53	7.75	0.50	11.25	12.75	5	0.65	
2602	114	I	Spoke	16.50x7.00	8.75	7.43	0.56	11.25	12.75	6	0.65	
2602A	114	I	Spoke	16.50x7.00	8.75	7.43	0.56	11.25	12.75	6	0.78	
2602AX	114	I	Spoke	16.50x7.00	8.75	7.43	0.56	11.25	12.75	6	0.78	
2602X	114	I	Spoke	16.50x7.00	8.75	7.43	0.56	11.25	12.75	6	0.65	
2603	68	I	Spoke	15.00x5.00	6.53	5.53	0.50	9.44	11.00	5	0.65	
2603A	68	I	Spoke	15.00x5.00	6.53	5.34	0.50	9.44	11.00	5	0.65	
2603AX	68	I	Spoke	15.00x5.00	6.53	5.34	0.50	9.44	11.00	5	0.65	
2603X	68	I	Spoke	15.00x5.00	6.53	5.53	0.50	9.44	11.00	5	0.65	
2604	75	I	Spoke	15.00x6.00	7.03	6.46	0.50	9.44	11.00	5	0.65	
2604A	75	I	Spoke	15.00x6.00	7.03	6.46	0.50	9.44	11.00	5	0.78	
2604AX	75	I	Spoke	15.00x6.00	7.03	6.46	0.50	9.44	11.00	5	0.78	

I – Inboard Mount
 O – Outboard Mount
 X – Balanced
 (tp) – Patented TruPilot Feature
 (o) – OEM captive part number

Drum P/N	Drum Weight	Drum Mount	Wheel Type	Brake Size	Overall Depth	Width of Brake Surface	Backface Thickness	Pilot Dia.	Bolt Circle Dia.	Bolt Holes		Special Information
										No.	Size	
2604B	75	I	Spoke	15.00x6.00	7.03	6.46	0.50	9.44	11.00	6	0.65	
2604BX	75	I	Spoke	15.00x6.00	7.03	6.46	0.50	9.44	11.00	6	0.65	
2604X	75	I	Spoke	15.00x6.00	7.03	6.46	0.50	9.44	11.00	5	0.65	
2606	0	I	Spoke	16.50x5.50	6.78	6.03	0.50	9.44	11.00	5	0.65	
2606X	0	I	Spoke	16.50x5.50	6.78	6.03	0.50	9.44	11.00	5	0.65	
2607	85	I	Spoke	15.00x6.00	8.15	6.62	0.56	11.00	12.50	5	0.65	
2607X	85	I	Spoke	15.00x6.00	8.15	6.62	0.56	11.00	12.50	5	0.65	
2608	84	I	Spoke	15.00x7.00	8.65	7.62	0.50	11.00	12.50	5	0.65	
2608B	83	I	Spoke	15.00x7.00	8.50	7.46	0.50	11.00	12.50	5/6	0.65	
2608BX	83	I	Spoke	15.00x7.00	8.50	7.46	0.50	11.00	12.50	5/6	0.65	
2608X	84	I	Spoke	15.00x7.00	8.65	7.62	0.50	11.00	12.50	5	0.65	
2612	87	I	Spoke	15.00x7.00	8.15	7.43	0.37	11.25	12.75	5	0.65	
2612X	87	I	Spoke	15.00x7.00	8.15	7.43	0.37	11.25	12.75	5	0.65	
2624	95	I	Spoke	16.50x7.00	8.43	7.50	0.50	11.25	12.75	5	0.78	
2624	95	I	Spoke	16.50x6.00	8.43	7.50	0.50	11.25	12.75	5	0.78	
2624X	95	I	Spoke	16.50x7.00	8.43	7.50	0.50	11.25	12.75	5	0.78	Serviced by 3295AX.
2624X	95	I	Spoke	16.50x6.00	8.43	7.50	0.50	11.25	12.75	5	0.78	Serviced by 3295AX.
2625	49	I	Spoke	15.00x4.50	5.93	5.00	0.43	11.00	12.50	5	0.65	
2625X	49	I	Spoke	15.00x4.50	5.93	5.00	0.43	11.00	12.50	5	0.65	
2626A	80	I	Spoke	15.00x6.00	8.21	6.50	0.50	11.00	12.50	5	0.65	
2626AX	80	I	Spoke	15.00x6.00	8.21	6.50	0.50	11.00	12.50	5	0.65	
2626B	80	I	Spoke	15.00x5.00	7.71	6.00	0.50	11.00	12.50	5	0.65	
2626BX	80	I	Spoke	15.00x5.00	7.71	6.00	0.50	11.00	12.50	5	0.65	
2627	47	I	Spoke	15.00x3.50	4.54	4.06	0.37	12.25	11.00	6	0.53	
2627X	47	I	Spoke	15.00x3.50	4.54	4.06	0.37	12.25	11.00	6	0.53	
2628A	81	I	Spoke	15.00x7.00	8.25	7.43	0.50	11.00	12.50	6	0.78	
2628AX	81	I	Spoke	15.00x7.00	8.25	7.43	0.50	11.00	12.50	6	0.78	
2645	73	I	Spoke	16.50x5.00	6.18	5.50	0.50	9.44	11.00	5	0.65	
2645X	73	I	Spoke	16.50x5.00	6.18	5.50	0.50	9.44	11.00	5	0.65	
2647	85	I	Spoke	16.00x6.00	8.37	6.56	0.50	11.00	12.50	5	0.65	
2647X	85	I	Spoke	16.00x6.00	8.37	6.56	0.50	11.00	12.50	5	0.65	
2650	83	I	Spoke	16.00x6.00	7.21	6.56	0.50	11.25	12.75	5	0.65	
2650X	83	I	Spoke	16.00x6.00	7.21	6.56	0.50	11.25	12.75	5	0.65	
2653	46	I	Spoke	15.00x3.50	6.06	3.93	0.37	10.00	11.00	5	0.53	
2653X	46	I	Spoke	15.00x3.50	6.06	3.93	0.37	10.00	11.00	5	0.53	
2658	85	I	Spoke	15.00x7.00	8.15	7.43	0.56	9.50	11.25	5	0.78	
2658A	84	I	Spoke	15.00x7.00	8.15	7.43	0.56	9.50	11.25	10	0.81	
2658AX	84	I	Spoke	15.00x7.00	8.15	7.43	0.56	9.50	11.25	10	0.81	
2658B	84	I	Spoke	15.00x7.00	8.15	7.43	0.56	9.50	11.25	5	0.78	
2658BX	84	I	Spoke	15.00x7.00	8.15	7.43	0.56	9.50	11.25	5	0.78	
2658C	84	I	Spoke	15.00x7.00	8.15	7.43	0.56	9.50	11.25	6	0.65	
2658C	84	I	Spoke	15.00x7.00	8.15	7.43	0.56	9.50	11.25	5	0.78	
2658CX	84	I	Spoke	15.00x7.00	8.15	7.43	0.56	9.50	11.25	5	0.78	
2658D	84	I	Spoke	15.00x7.00	8.15	7.43	0.56	9.44	11.25	10	0.81	
2658DX	84	I	Spoke	15.00x7.00	8.15	7.43	0.56	9.44	11.25	10	0.81	
2658E	84	I	Spoke	15.00x7.00	8.15	7.43	0.56	9.50	11.25	6	0.65	
2658E	84	I	Spoke	15.00x7.00	8.15	7.43	0.56	9.50	11.25	5	0.78	
2658EX	84	I	Spoke	15.00x7.00	8.15	7.43	0.56	9.50	11.25	6	0.65	
2658EX	84	I	Spoke	15.00x7.00	8.15	7.43	0.56	9.50	11.25	5	0.78	
2658G	84	I	Spoke	15.00x7.00	8.15	7.43	0.56	9.50	11.25	10	0.81	
2658GX	84	I	Spoke	15.00x7.00	8.15	7.43	0.56	9.50	11.25	10	0.81	
2658X	85	I	Spoke	15.00x7.00	8.15	7.43	0.56	9.50	11.25	5	0.78	

I – Inboard Mount
O – Outboard Mount
X – Balanced

(tp) – Patented TruPilot Feature
(o) – OEM captive part number

Drum P/N	Drum Weight	Drum Mount	Wheel Type	Brake Size	Overall Depth	Width of Brake Surface	Backface Thickness	Pilot Dia.	Bolt Circle Dia.	Bolt Holes		Special Information
										No.	Size	
2661	78	I	Spoke	16.00x5.00	6.62	5.50	0.50	9.44	11.00	5	0.78	
2661X	78	I	Spoke	16.00x5.00	6.62	5.50	0.50	9.44	11.00	5	0.78	
2663	71	I	Spoke	15.00x6.00	7.06	6.43	0.50	9.75	11.25	5	0.65	
2663X	71	I	Spoke	15.00x6.00	7.06	6.43	0.50	9.75	11.25	5	0.65	
2665	82	I	Spoke	15.00x6.00	8.90	6.43	0.50	9.75	11.25	5	0.65	
2665X	82	I	Spoke	15.00x6.00	8.90	6.43	0.50	9.75	11.25	5	0.65	
2667	89	I	Spoke	15.00x7.00	8.56	7.56	0.56	9.44	11.25	5	0.78	
2667A	89	I	Spoke	15.00x7.00	8.56	7.56	0.56	9.44	11.25	5	0.78	
2667AX	89	I	Spoke	15.00x7.00	8.56	7.56	0.56	9.44	11.25	5	0.78	
2667B	88	I	Spoke	15.00x7.00	8.56	7.56	0.56	9.44	11.25	10	0.78	
2667BX	88	I	Spoke	15.00x7.00	8.56	7.56	0.56	9.44	11.25	10	0.78	
2667D	89	I	Spoke	15.00x7.00	8.56	7.56	0.56	9.44	11.25	10	0.81	
2667DX	89	I	Spoke	15.00x7.00	8.56	7.56	0.56	9.44	11.25	10	0.81	
2667E	88	I	Spoke	15.00x7.00	8.56	7.56	0.56	9.44	11.25	5	0.78	
2667EX	88	I	Spoke	15.00x7.00	8.56	7.56	0.56	9.44	11.25	5	0.78	
2667X	89	I	Spoke	15.00x7.00	8.56	7.56	0.56	9.44	11.25	5	0.78	
2668	85	I	Spoke	15.00x7.00	8.31	7.50	0.59	14.25	12.75	5	0.65	
2668X	85	I	Spoke	15.00x7.00	8.31	7.50	0.59	14.25	12.75	5	0.65	
2669	40	I	Spoke	15.00x3.00	4.31	3.56	0.43	8.99	10.50	5	0.53	
2669X	40	I	Spoke	15.00x3.00	4.31	3.56	0.43	8.99	10.50	5	0.53	
2670	47	I	Spoke	15.00x3.50	5.00	4.03	0.50	8.99	10.50	5	0.53	
2670X	47	I	Spoke	15.00x3.50	5.00	4.03	0.50	8.99	10.50	5	0.53	
2672	103	I	Spoke	16.50x7.00	8.75	7.50	0.56	9.44	11.00	5	0.78	
2672B	103	I	Spoke	16.50x7.00	8.75	7.50	0.56	9.44	11.00	5	0.78	Unequally spaced exciter ring mounting.
2672BX	103	I	Spoke	16.50x7.00	8.75	7.50	0.56	9.44	11.00	5	0.78	Unequally spaced exciter ring mounting.
2672C	103	I	Spoke	16.50x7.00	8.75	7.50	0.56	9.44	11.00	6	0.78	
2672CX	103	I	Spoke	16.50x7.00	8.75	7.50	0.56	9.44	11.00	6	0.78	
2672X	103	I	Spoke	16.50x7.00	8.75	7.50	0.56	9.44	11.00	5	0.78	
2673	93	I	Spoke	15.00x7.00	8.50	7.37	0.56	9.44	11.00	5	0.78	
2673A	93	I	Spoke	15.00x7.00	8.50	7.37	0.56	9.44	11.00	5	0.78	Unequally spaced exciter ring mounting.
2673AX	93	I	Spoke	15.00x7.00	8.50	7.37	0.56	9.44	11.00	5	0.78	Unequally spaced exciter ring mounting.
2673X	93	I	Spoke	15.00x7.00	8.50	7.37	0.56	9.44	11.00	5	0.78	
2675	118	I	Spoke	16.50x8.62	10.44	9.12	0.56	9.44	11.00	5	0.78	
2675A	117	I	Spoke	16.50x8.62	10.44	9.12	0.56	9.44	11.00	5	0.78	
2675A	117	I	Spoke	16.50x8.62	10.44	9.12	0.56	9.44	11.00	6	0.65	
2675AX	117	I	Spoke	16.50x8.62	10.44	9.12	0.56	9.44	11.00	5	0.78	
2675AX	117	I	Spoke	16.50x8.62	10.44	9.12	0.56	9.44	11.00	6	0.65	
2675X	118	I	Spoke	16.50x8.62	10.44	9.12	0.56	9.44	11.00	5	0.78	
2678	80	I	Spoke	15.00x6.00	7.68	7.00	0.50	9.44	11.00	5	0.78	
2678X	80	I	Spoke	15.00x6.00	7.68	7.00	0.50	9.44	11.00	5	0.78	
2680	95	I	Spoke	16.50x6.00	7.81	6.62	0.50	9.44	11.00	5	0.78	
2680X	95	I	Spoke	16.50x6.00	7.81	6.62	0.50	9.44	11.00	5	0.78	
2682	88	I	Spoke	16.50x5.00	7.25	5.62	0.50	9.44	11.00	5	0.78	
2682A	87	O	Disc	16.50x5.00	7.25	5.62	0.50	9.44	11.25	10	1.25	
2682AX	87	O	Disc	16.50x5.00	7.25	5.62	0.50	9.44	11.25	10	1.25	
2682X	88	I	Spoke	16.50x5.00	7.25	5.62	0.50	9.44	11.00	5	0.78	
2684	112	I	Disc	16.00x5.50	8.25	6.00	0.40	9.37	11.25	10	0.81	Labyrinth seal.
2684X	112	I	Disc	16.00x5.50	8.25	6.00	0.40	9.37	11.25	10	0.81	Labyrinth seal.
2685	92	I	Disc	16.00x6.00	8.78	6.53	0.40	9.37	11.25	10	0.81	Labyrinth seal.
2685X	92	I	Disc	16.00x6.00	8.78	6.53	0.40	9.37	11.25	10	0.81	Labyrinth seal.
2686	58	I	Disc	15.00x5.00	7.03	5.50	0.40	9.37	11.25	10	0.81	Labyrinth seal.

I – Inboard Mount
 O – Outboard Mount
 X – Balanced

(tp) – Patented TruPilot Feature
 (o) – OEM captive part number

Drum P/N	Drum Weight	Drum Mount	Wheel Type	Brake Size	Overall Depth	Width of Brake Surface	Backface Thickness	Pilot Dia.	Bolt Circle Dia.	Bolt Holes		Special Information
										No.	Size	
2686X	58	I	Disc	15.00x5.00	7.03	5.50	0.40	9.37	11.25	10	0.81	Labyrinth seal.
2697	47	I	Spoke	15.00x3.50	5.31	4.12	0.43	10.00	11.25	5	0.53	
2697X	47	I	Spoke	15.00x3.50	5.31	4.12	0.43	10.00	11.25	5	0.53	
2700	50	I	Spoke	15.00x3.50	4.96	3.93	0.62	10.00	11.00	5	0.53	
2700X	50	I	Spoke	15.00x3.50	4.96	3.93	0.62	10.00	11.00	5	0.53	
2701	55	I	Spoke	16.25x3.50	4.96	3.93	0.43	10.00	11.00	5	0.53	
2701B	55	I	Spoke	16.25x3.50	4.96	3.93	0.40	10.00	11.00	5	0.53	
2701BX	55	I	Spoke	16.25x3.50	4.96	3.93	0.40	10.00	11.00	5	0.53	
2701C	55	I	Spoke	16.25x3.50	4.96	3.93	0.40	10.00	11.00	6	0.53	
2701CX	55	I	Spoke	16.25x3.50	4.96	3.93	0.40	10.00	11.00	6	0.53	
2701X	55	I	Spoke	16.25x3.50	4.96	3.93	0.43	10.00	11.00	5	0.53	
2702	104	I	Disc	16.50x7.00	8.50	7.62	0.46	9.44	11.25	10	0.81	
2702X	104	I	Disc	16.50x7.00	8.50	7.62	0.46	9.44	11.25	10	0.81	
2705X	105	I	Disc	16.50x7.00	9.50	7.56	0.43	9.44	11.25	10	0.93	For severe duty use 3732X.
2706	64	I	Spoke	15.00x4.00	5.18	4.56	0.43	9.75	10.87	6	0.59	
2706A	64	I	Spoke	15.00x4.00	5.18	4.56	0.43	9.75	10.87	5	0.59	
2706AX	64	I	Spoke	15.00x4.00	5.18	4.56	0.43	9.75	10.87	5	0.59	
2706X	64	I	Spoke	15.00x4.00	5.18	4.56	0.43	9.75	10.87	6	0.59	
2714 (o)	61	I	Disc	15.00x5.00	7.31	5.50	0.31	7.50	8.75	6	0.81	
2714X (o)	61	I	Disc	15.00x5.00	7.31	5.50	0.31	7.50	8.75	6	0.81	
2715 (o)	71	I	Disc	16.00x5.00	8.53	5.93	0.31	7.50	8.75	6	0.81	Labyrinth seal.
2715X (o)	71	I	Disc	16.00x5.00	8.53	5.93	0.31	7.50	8.75	6	0.81	Labyrinth seal.
2716	76	I	Disc	16.00x6.00	9.06	6.53	0.31	7.50	8.75	6	0.81	Labyrinth seal.
2716X	76	I	Disc	16.00x6.00	9.06	6.53	0.31	7.50	8.75	6	0.81	Labyrinth seal.
2717	68	I	Disc	15.00x5.00	7.21	5.50	0.37	6.25	8.75	6	0.81	
2717A	68	I	Disc	15.00x5.00	7.21	5.50	0.37	6.25	8.75	6	0.81	
2717AX	68	I	Disc	15.00x5.00	7.21	5.50	0.37	6.25	8.75	6	0.81	
2717X	68	I	Disc	15.00x5.00	7.21	5.50	0.37	6.25	8.75	6	0.81	
2718	60	I	Disc	15.00x4.00	6.40	4.59	0.37	6.25	8.75	6	0.81	
2718X	60	I	Disc	15.00x4.00	6.40	4.59	0.37	6.25	8.75	6	0.81	
2728	85	I	Disc	15.00x7.00	9.46	7.50	0.50	9.44	11.25	10	0.81	
2728B	85	I	Disc	15.00x7.00	9.46	7.50	0.50	9.44	11.25	10	0.81	
2728BX	85	I	Disc	15.00x7.00	9.46	7.50	0.50	9.44	11.25	10	0.81	
2728X	85	I	Disc	15.00x7.00	9.46	7.50	0.50	9.44	11.25	10	0.81	
2730	92	I	Spoke	16.50x7.00	8.72	7.50	0.44	11.25	12.75	5	0.78	
2730X	92	I	Spoke	16.50x7.00	8.72	7.50	0.44	11.25	12.75	5	0.78	
2741 (o)	38	I	Spoke	16.00x2.25	3.28	2.42	0.37	12.00	11.00	6	0.51	
2741X (o)	38	I	Spoke	16.00x2.25	3.28	2.42	0.37	12.00	11.00	6	0.51	
2742	58	I	Spoke	15.00x5.00	5.69	5.44	0.38	13.25	12.00	5	0.64	
2742X	58	I	Spoke	15.00x5.00	5.69	5.44	0.38	13.25	12.00	5	0.64	
2747	145	I	Spoke	18.00x7.00	8.88	7.56	0.47	11.25	12.75	6	0.65	
2747A	145	I	Spoke	18.00x7.00	8.88	7.56	0.47	11.25	12.75	6	0.78	
2747AX	145	I	Spoke	18.00x7.00	8.88	7.56	0.47	11.25	12.75	6	0.78	
2747B	145	I	Spoke	18.00x7.00	8.88	7.75	0.47	11.25	12.75	6	0.78	
2747BX	145	I	Spoke	18.00x7.00	8.88	7.75	0.47	11.25	12.75	6	0.78	
2747C	145	I	Spoke	18.00x7.00	8.88	7.56	0.56	11.25	12.75	6	0.78	
2747CX	145	I	Spoke	18.00x7.00	8.88	7.56	0.56	11.25	12.75	6	0.78	
2747E	145	I	Spoke	18.00x7.00	8.88	7.56	0.56	11.25	12.75	6	0.78	
2747EX	145	I	Spoke	18.00x7.00	8.88	7.56	0.56	11.25	12.75	6	0.78	
2747FX	145	I	Spoke	18.00x7.00	8.88	7.56	0.56	11.25	12.75	6	0.65	
2747FX	145	I	Spoke	18.00x7.00	8.88	7.56	0.56	11.25	12.75	6	0.78	
2747X	145	I	Spoke	18.00x7.00	8.88	7.56	0.47	11.25	12.75	6	0.65	

I – Inboard Mount
O – Outboard Mount
X – Balanced

(tp) – Patented TruPilot Feature
(o) – OEM captive part number

Active Part Numbers In Order by Part Number

Active Part Numbers In Order by Size

Obsolete Part Numbers In Order by Part Number

Drum P/N	Drum Weight	Drum Mount	Wheel Type	Brake Size	Overall Depth	Width of Brake Surface	Backface Thickness	Pilot Dia.	Bolt Circle Dia.	Bolt Holes		Special Information
										No.	Size	
2762	64	I	Spoke	17.25x4.00	5.18	4.50	0.43	11.25	12.75	6	0.65	
2762X	64	I	Spoke	17.25x4.00	5.18	4.50	0.43	11.25	12.75	6	0.65	
2764A	117	O	Disc	16.50x7.00	10.69	7.75	0.53	8.78	11.25	10	1.00	
2764AX	117	O	Disc	16.50x7.00	10.69	7.75	0.53	8.78	11.25	10	1.00	
2764B	117	O	Disc	16.50x7.00	10.69	7.75	0.53	9.44	11.25	10	0.81	
2764BX	117	O	Disc	16.50x7.00	10.69	7.75	0.53	9.44	11.25	10	0.81	
2764C	117	O	Disc	16.50x7.00	10.69	7.75	0.53	8.53	11.25	10	0.81	
2764CX	117	O	Disc	16.50x7.00	10.69	7.75	0.53	8.53	11.25	10	0.81	
2769 (o)	105	O	Disc	16.50x7.00	10.59	7.75	0.50	9.00	11.25	10	0.81	
2769A (o)	105	O	Disc	16.50x7.00	10.59	7.75	0.50	9.00	11.25	10	1.00	
2769AX (o)	105	O	Disc	16.50x7.00	10.59	7.75	0.50	9.00	11.25	10	1.00	
2769B (o)	105	O	Disc	16.50x7.00	10.59	7.75	0.50	9.00	11.25	10	1.00	
2769BX (o)	105	O	Disc	16.50x7.00	10.59	7.75	0.50	9.00	11.25	10	1.00	
2769X (o)	105	O	Disc	16.50x7.00	10.59	7.75	0.50	9.00	11.25	10	0.81	
2770	73	O	Disc	15.00x4.00	7.71	4.75	0.37	6.43	8.75	10	0.81	Furnished with set screw holes.
2770A	73	O	Disc	15.00x4.00	7.71	4.75	0.37	6.43	8.75	6	0.81	Furnished with set screw holes.
2770AX	73	O	Disc	15.00x4.00	7.71	4.75	0.37	6.43	8.75	6	0.81	Furnished with set screw holes.
2770B	73	O	Disc	15.00x4.00	7.71	4.75	0.37	6.43	8.75	6	0.81	Furnished with set screw holes.
2770BX	73	O	Disc	15.00x4.00	7.71	4.75	0.37	6.43	8.75	6	0.81	Furnished with set screw holes.
2770D	73	O	Disc	15.00x4.00	7.71	4.75	0.37	6.43	8.75	6	0.81	
2770DX	73	O	Disc	15.00x4.00	7.71	4.75	0.37	6.43	8.75	6	0.81	
2770X	73	O	Disc	15.00x4.00	7.71	4.75	0.37	6.43	8.75	10	0.81	Furnished with set screw holes.
2771	74	O	Disc	15.00x4.00	7.71	4.75	0.37	4.81	7.25	10	0.64	Furnished with set screw holes.
2771A	74	O	Disc	15.00x4.00	7.71	4.75	0.37	5.31	7.25	10	0.64	Furnished with set screw holes.
2771AX	74	O	Disc	15.00x4.00	7.71	4.75	0.37	5.31	7.25	10	0.64	Furnished with set screw holes.
2771X	74	O	Disc	15.00x4.00	7.71	4.75	0.37	4.81	7.25	10	0.64	Furnished with set screw holes.
2774	92	O	Disc	15.00x7.00	9.46	7.50	0.50	9.00	11.25	10	0.81	
2774X	92	O	Disc	15.00x7.00	9.46	7.50	0.50	9.00	11.25	10	0.81	
2778 (o)	71	I	Disc	15.00x5.00	6.62	5.50	0.50	9.44	11.25	10	1.25	
2778X (o)	71	I	Disc	15.00x5.00	6.62	5.50	0.50	9.44	11.25	10	1.25	
2782	104	I	Spoke	16.50x7.00	9.12	7.43	0.50	11.25	12.75	6	0.78	
2782X	104	I	Spoke	16.50x7.00	9.12	7.43	0.50	11.25	12.75	6	0.78	
2789	39	I	Spoke	15.00x3.50	4.37	3.81	0.43	9.44	11.25	6	0.65	
2789X	39	I	Spoke	15.00x3.50	4.37	3.81	0.43	9.44	11.25	6	0.65	
2808	77	I	Spoke	15.00x5.00	8.00	5.75	0.50	6.44	8.75	5	0.78	
2808A	77	I	Spoke	15.00x5.00	8.00	5.75	0.50	6.44	8.75	5	0.81	
2808AX	77	I	Spoke	15.00x5.00	8.00	5.75	0.50	6.44	8.75	5	0.81	
2808B	77	I	Spoke	15.00x5.00	8.00	5.75	0.50	6.44	8.75	10	0.78	
2808BX	77	I	Spoke	15.00x5.00	8.00	5.75	0.50	6.44	8.75	10	0.78	
2808X	77	I	Spoke	15.00x5.00	8.00	5.75	0.50	6.44	8.75	5	0.78	
2827	55	I	Spoke	15.00x3.50	6.06	3.93	0.62	10.00	11.00	5	0.53	
2827X	55	I	Spoke	15.00x3.50	6.06	3.93	0.62	10.00	11.00	5	0.53	
2829	102	I	Spoke	15.00x6.00	7.03	6.41	0.62	9.44	11.00	6	0.65	
2829X	102	I	Spoke	15.00x6.00	7.03	6.41	0.62	9.44	11.00	6	0.65	
2830 (o)	78	I	Disc	15.00x6.00	8.68	6.75	0.43	9.37	11.25	10	0.81	
2830X (o)	78	I	Disc	15.00x6.00	8.68	6.75	0.43	9.37	11.25	10	0.81	

I – Inboard Mount
O – Outboard Mount
X – Balanced

(tp) – Patented TruPilot Feature
(o) – OEM captive part number

Drum P/N	Drum Weight	Drum Mount	Wheel Type	Brake Size	Overall Depth	Width of Brake Surface	Backface Thickness	Pilot Dia.	Bolt Circle Dia.	Bolt Holes		Special Information
										No.	Size	
2831 (o)	89	I	Disc	16.50x6.00	8.00	6.46	0.50	9.37	11.25	10	0.81	
2831A (o)	89	I	Disc	16.50x6.00	8.00	6.46	0.50	9.37	11.25	10	0.81	
2831AX (o)	89	I	Disc	16.50x6.00	8.00	6.46	0.50	9.37	11.25	10	0.81	
2831X (o)	89	I	Disc	16.50x6.00	8.00	6.46	0.50	9.37	11.25	10	0.81	
2832 (o)	84	I	Disc	15.00x6.00	9.00	6.68	0.43	7.50	8.75	6	0.81	
2832X (o)	84	I	Disc	15.00x6.00	9.00	6.68	0.43	7.50	8.75	6	0.81	
2833 (o)	93	I	Disc	16.50x6.00	8.28	6.59	0.43	7.50	8.75	6	0.81	
2833X (o)	93	I	Disc	16.50x6.00	8.28	6.59	0.43	7.50	8.75	6	0.81	
2843A (o)	94	I	Spoke	15.00x6.00	8.37	7.50	0.50	11.00	12.50	5/6	0.65	
2843AX (o)	94	I	Spoke	15.00x6.00	8.37	7.50	0.50	11.00	12.50	5/6	0.65	
2845	30	I	Disc	14.00x2.50	4.03	3.00	0.38	4.60	6.00	6	0.51	
2845	30	I	Disc	14.00x2.50	4.03	3.00	0.38	4.60	5.50	6	0.51	
2845X	30	I	Disc	14.00x2.50	4.03	3.00	0.38	4.60	6.00	6	0.51	
2845X	30	I	Disc	14.00x2.50	4.03	3.00	0.38	4.60	5.50	6	0.51	
2846	51	I	Spoke	16.25x3.50	4.96	3.93	0.38	10.00	11.00	5	0.53	
2846C	51	I	Spoke	16.25x3.50	4.96	3.93	0.38	10.00	11.00	6	0.53	
2846CX	51	I	Spoke	16.25x3.50	4.96	3.93	0.38	10.00	11.00	6	0.53	
2846X	51	I	Spoke	16.25x3.50	4.96	3.93	0.38	10.00	11.00	5	0.53	
2847	57	I	Spoke	16.25x3.50	4.95	4.06	0.43	10.00	11.00	5	0.53	
2847A	57	I	Spoke	16.25x3.50	4.82	3.93	0.43	10.00	11.00	5	0.53	
2847AX	57	I	Spoke	16.25x3.50	4.82	3.93	0.43	10.00	11.00	5	0.53	
2847X	57	I	Spoke	16.25x3.50	4.95	4.06	0.43	10.00	11.00	5	0.53	
2848	52	I	Spoke	15.00x3.50	6.06	3.93	0.43	10.00	11.00	5	0.53	
2848X	52	I	Spoke	15.00x3.50	6.06	3.93	0.43	10.00	11.00	5	0.53	
2849	95	I	Spoke	16.50x6.00	8.15	6.62	0.56	11.00	12.50	5	0.65	
2849A	95	I	Spoke	16.50x6.00	8.15	6.62	0.56	11.00	12.50	6	0.65	
2849AX	95	I	Spoke	16.50x6.00	8.15	6.62	0.56	11.00	12.50	6	0.65	
2849B	95	I	Spoke	16.50x6.00	8.15	6.62	0.56	11.00	12.50	5	0.65	Semi-finished brake surface.
2849BX	95	I	Spoke	16.50x6.00	8.15	6.62	0.56	11.00	12.50	5	0.65	Semi-finished brake surface.
2849C	95	I	Spoke	16.50x6.00	8.15	6.62	0.56	11.00	12.50	5	0.65	
2849CX	95	I	Spoke	16.50x6.00	8.15	6.62	0.56	11.00	12.50	5	0.65	
2849X	95	I	Spoke	16.50x6.00	8.15	6.62	0.56	11.00	12.50	5	0.65	
2850	32	I	Spoke	15.00x3.00	4.14	3.56	0.40	10.00	11.00	5	0.53	
2850X	32	I	Spoke	15.00x3.00	4.14	3.56	0.40	10.00	11.00	5	0.53	
2851	100	I	Spoke	16.50x7.00	8.65	7.62	0.56	11.00	12.50	5	0.65	
2851C	100	I	Spoke	16.50x7.00	8.65	7.62	0.56	11.00	12.50	5	0.65	
2851CX	100	I	Spoke	16.50x7.00	8.65	7.62	0.56	11.00	12.50	5	0.65	
2851D	100	I	Spoke	16.50x7.00	8.65	7.62	0.56	11.00	12.50	6	0.65	
2851DX	100	I	Spoke	16.50x7.00	8.65	7.62	0.56	11.00	12.50	6	0.65	
2851X	100	I	Spoke	16.50x7.00	8.65	7.62	0.56	11.00	12.50	5	0.65	
2852	82	I	Spoke	15.00x7.00	8.56	7.53	0.56	11.00	12.50	5	0.65	
2852A	82	I	Spoke	15.00x7.00	8.50	7.47	0.56	11.00	12.50	6	0.78	
2852AX	82	I	Spoke	15.00x7.00	8.50	7.47	0.56	11.00	12.50	6	0.78	
2852B	82	I	Spoke	15.00x7.00	8.50	7.46	0.56	11.00	12.50	5/6	0.65	
2852BX	82	I	Spoke	15.00x7.00	8.50	7.46	0.56	11.00	12.50	5/6	0.65	
2852D	82	I	Spoke	15.00x7.00	8.59	7.56	0.56	11.00	12.50	5	0.65	
2852DX	82	I	Spoke	15.00x7.00	8.59	7.56	0.56	11.00	12.50	5	0.65	
2852E	82	I	Spoke	15.00x7.00	8.47	7.44	0.56	11.00	12.50	5	0.65	For Girling Brakes, 1983-present.
2852E	82	I	Spoke	15.00x6.00	8.47	7.44	0.56	11.00	12.50	5	0.65	For Girling Brakes, 1983-present.
2852EX	82	I	Spoke	15.00x6.00	8.47	7.44	0.56	11.00	12.50	5	0.65	For Girling Brakes, 1983-present.

I – Inboard Mount
 O – Outboard Mount
 X – Balanced

(tp) – Patented TruPilot Feature
 (o) – OEM captive part number

Drum P/N	Drum Weight	Drum Mount	Wheel Type	Brake Size	Overall Depth	Width of Brake Surface	Backface Thickness	Pilot Dia.	Bolt Circle Dia.	Bolt Holes		Special Information
										No.	Size	
2852EX	82	I	Spoke	15.00x7.00	8.47	7.44	0.56	11.00	12.50	5	0.65	For Girling Brakes, 1983-present.
2852X	82	I	Spoke	15.00x7.00	8.56	7.53	0.56	11.00	12.50	5	0.65	
2853	110	I	Spoke	16.50x7.00	9.00	7.43	0.56	11.00	12.50	5	0.65	
2853A	110	I	Spoke	16.50x7.00	8.81	7.43	0.56	11.00	12.50	5	0.65	
2853AX	110	I	Spoke	16.50x7.00	8.81	7.43	0.56	11.00	12.50	5	0.65	
2853B	110	I	Spoke	16.50x7.00	9.00	7.43	0.56	11.00	12.50	6	0.65	
2853BX	110	I	Spoke	16.50x7.00	9.00	7.43	0.56	11.00	12.50	6	0.65	
2853X	110	I	Spoke	16.50x7.00	9.00	7.43	0.56	11.00	12.50	5	0.65	
2854	70	I	Spoke	17.25x3.50	6.50	4.06	0.43	12.25	11.00	6	0.53	
2854X	70	I	Spoke	17.25x3.50	6.50	4.06	0.43	12.25	11.00	6	0.53	
2855	50	I	Spoke	16.00x2.50	4.64	3.18	0.43	10.00	11.00	5	0.53	
2855X	50	I	Spoke	16.00x2.50	4.64	3.18	0.43	10.00	11.00	5	0.53	
2868 (o)	47	I	Spoke	15.00x3.50	4.28	3.84	0.43	8.99	11.00	5	0.78	
2868X (o)	47	I	Spoke	15.00x3.50	4.28	3.84	0.43	8.99	11.00	5	0.78	
2885 (o)	108	O	Disc	15.00x7.00	10.59	7.75	0.50	9.00	11.25	10	0.81	
2885X (o)	108	O	Disc	15.00x7.00	10.59	7.75	0.50	9.00	11.25	10	0.81	
2908	58	I	Disc	16.25x3.50	5.62	4.06	0.43	7.50	9.00	5	0.53	
2908A	58	I	Disc	16.25x3.50	5.62	4.06	0.43	7.50	9.00	5	0.53	Equally spaced exciter ring mounting.
2908AX	58	I	Disc	16.25x3.50	5.62	4.06	0.43	7.50	9.00	5	0.53	Equally spaced exciter ring mounting.
2908X	58	I	Disc	16.25x3.50	5.62	4.06	0.43	7.50	9.00	5	0.53	
2912	91	I	Spoke	16.50x5.00	6.12	5.38	0.62	9.25	11.25	6	0.78	Unequally spaced exciter ring mounting.
2912A	91	I	Spoke	16.50x5.00	6.12	5.38	0.62	9.25	11.25	5	0.78	
2912AX	91	I	Spoke	16.50x5.00	6.12	5.38	0.62	9.25	11.25	5	0.78	
2912B	91	I	Spoke	16.50x5.00	6.12	5.38	0.62	9.25	11.25	5	0.78	
2912BX	91	I	Spoke	16.50x5.00	6.12	5.38	0.62	9.25	11.25	5	0.78	
2912C	91	I	Spoke	16.50x5.00	6.12	5.38	0.62	9.25	11.25	6	0.78	
2912CX	91	I	Spoke	16.50x5.00	6.12	5.38	0.62	9.25	11.25	6	0.78	
2912E	91	I	Spoke	16.50x5.00	6.12	5.38	0.62	9.25	11.25	6	0.78	Unequally spaced exciter ring mounting.
2912EX	91	I	Spoke	16.50x5.00	6.12	5.38	0.62	9.25	11.25	6	0.78	Unequally spaced exciter ring mounting.
2912F	90	I	Disc	16.50x5.00	6.12	5.38	0.56	9.25	11.25	10	1.14	
2912FX	90	I	Disc	16.50x5.00	6.12	5.38	0.56	9.25	11.25	10	1.14	
2912H	90	I	Disc	16.50x5.00	6.12	5.38	0.56	9.25	11.25	10	0.65	
2912J	90	I	Disc	16.50x5.00	6.12	5.38	0.56	9.25	11.25	10	1.14	
2912JX	90	I	Disc	16.50x5.00	6.12	5.38	0.56	9.25	11.25	10	1.14	
2912KX	90	I	Disc	16.50x5.00	6.12	5.38	0.56	9.25	11.25	10	1.14	
2912X	91	I	Spoke	16.50x5.00	6.12	5.38	0.62	9.25	11.25	6	0.78	Unequally spaced exciter ring mounting.
2913	75	I	Spoke	15.00x5.00	6.44	5.75	0.56	9.25	11.25	5	0.78	Unequally spaced exciter ring mounting.
2913A	75	I	Spoke	15.00x5.00	6.18	5.49	0.56	9.25	11.25	6	0.78	Unequally spaced exciter ring mounting.
2913AX	75	I	Spoke	15.00x5.00	6.18	5.49	0.56	9.25	11.25	6	0.78	Unequally spaced exciter ring mounting.
2913B	75	I	Spoke	15.00x5.00	6.18	5.49	0.56	9.25	11.25	5	0.78	
2913BX	75	I	Spoke	15.00x5.00	6.18	5.49	0.56	9.25	11.25	5	0.78	
2913C	75	I	Spoke	15.00x5.00	6.18	5.49	0.56	9.25	11.25	6	0.78	
2913CX	75	I	Spoke	15.00x5.00	6.18	5.49	0.56	9.25	11.25	6	0.78	
2913D	75	I	Spoke	15.00x5.00	6.18	5.49	0.56	9.25	11.25	5	0.78	Unequally spaced exciter ring mounting.
2913DX	75	I	Spoke	15.00x5.00	6.18	5.49	0.56	9.25	11.25	5	0.78	Unequally spaced exciter ring mounting.

I – Inboard Mount (tp) – Patented TruPilot Feature
 O – Outboard Mount (o) – OEM captive part number
 X – Balanced

Drum P/N	Drum Weight	Drum Mount	Wheel Type	Brake Size	Overall Depth	Width of Brake Surface	Backface Thickness	Pilot Dia.	Bolt Circle Dia.	Bolt Holes		Special Information
										No.	Size	
2913E	75	I	Spoke	15.00x5.00	6.18	5.49	0.56	9.25	11.25	6	0.78	Unequally spaced exciter ring mounting.
2913EX	75	I	Spoke	15.00x5.00	6.18	5.49	0.56	9.25	11.25	6	0.78	Unequally spaced exciter ring mounting.
2913F	75	I	Spoke	15.00x5.00	6.18	5.49	0.56	9.25	11.25	5/6	0.78	
2913FX	75	I	Spoke	15.00x5.00	6.18	5.49	0.56	9.25	11.25	5/6	0.78	
2913X	75	I	Spoke	15.00x5.00	6.44	5.75	0.56	9.25	11.25	5	0.78	Unequally spaced exciter ring mounting.
2916	63	I	Spoke	15.00x3.50	5.12	4.00	0.56	9.25	11.25	5	0.78	Unequally spaced exciter ring mounting.
2916A	63	I	Spoke	15.00x3.50	5.12	4.00	0.56	9.25	11.25	5	0.78	
2916AX	63	I	Spoke	15.00x3.50	5.12	4.00	0.56	9.25	11.25	5	0.78	
2916X	63	I	Spoke	15.00x3.50	5.12	4.00	0.56	9.25	11.25	5	0.78	Unequally spaced exciter ring mounting.
2919	86	O	Disc	15.00x5.00	9.78	5.50	0.62	9.00	11.25	10	1.25	Furnished with set screw holes.
2919X	86	O	Disc	15.00x5.00	9.78	5.50	0.62	9.00	11.25	10	1.25	Furnished with set screw holes.
2920	108	O	Disc	16.50x5.00	9.16	5.38	0.62	9.00	11.25	10	1.25	Furnished with set screw holes.
2920A	108	O	Disc	16.50x5.00	9.16	5.38	0.62	9.00	11.25	10	1.25	
2920AX	108	O	Disc	16.50x5.00	9.16	5.38	0.62	9.00	11.25	10	1.25	
2920B	108	O	Disc	16.50x5.00	9.16	5.38	0.62	9.00	10.82	8	1.03	
2920BX	108	O	Disc	16.50x5.00	9.16	5.38	0.62	9.00	10.82	8	1.03	
2938 (o)	97	I	Spoke	16.50x7.00	8.00	7.37	0.50	14.25	12.75	5/6	0.65	
2938X (o)	97	I	Spoke	16.50x7.00	8.00	7.37	0.50	14.25	12.75	5/6	0.65	
2939	83	I	Spoke	16.50x6.00	7.03	6.43	0.50	14.25	12.75	5/6	0.65	
2939X	83	I	Spoke	16.50x6.00	7.03	6.43	0.50	14.25	12.75	5/6	0.65	
2942 (o)	105	O	Disc	16.50x7.00	10.59	7.75	0.50	9.00	11.25	10	0.81	
2942X (o)	105	O	Disc	16.50x7.00	10.59	7.75	0.50	9.00	11.25	10	0.81	
2954	108	O	Disc	15.00x7.00	10.59	7.75	0.50	9.00	11.25	10	0.81	
2954A	108	O	Disc	15.00x7.00	10.59	7.75	0.50	9.00	10.82	8	1.00	
2954AX	108	O	Disc	15.00x7.00	10.59	7.75	0.50	9.00	10.82	8	1.00	
2954X	108	O	Disc	15.00x7.00	10.59	7.75	0.50	9.00	11.25	10	0.81	
2974	100	I	Spoke	16.50x7.00	8.72	7.50	0.56	11.25	12.75	5	0.78	
2974X	100	I	Spoke	16.50x7.00	8.72	7.50	0.56	11.25	12.75	5	0.78	
2982	120	I	Spoke	18.00x7.00	8.50	7.40	0.56	11.25	12.75	6	0.78	Unequally spaced exciter ring mounting.
2982A	120	I	Spoke	18.00x7.00	8.50	7.40	0.56	11.25	12.75	6	0.78	
2982AX	120	I	Spoke	18.00x7.00	8.50	7.40	0.56	11.25	12.75	6	0.78	
2982X	120	I	Spoke	18.00x7.00	8.50	7.40	0.56	11.25	12.75	6	0.78	Unequally spaced exciter ring mounting.
2983	106	I	Spoke	16.50x7.00	8.18	7.40	0.56	9.44	11.00	6	0.65	
2983	106	I	Spoke	16.50x7.00	8.18	7.40	0.56	9.44	11.00	5	0.78	
2983A	109	I	Spoke	16.50x7.00	8.41	7.63	0.56	9.44	11.00	5	0.78	
2983AX	109	I	Spoke	16.50x7.00	8.41	7.63	0.56	9.44	11.00	5	0.78	
2983B	109	I	Spoke	16.50x7.00	8.41	7.63	0.56	9.44	11.00	5	0.78	
2983BX	109	I	Spoke	16.50x7.00	8.41	7.63	0.56	9.44	11.00	5	0.78	
2983CX	108	I	Spoke	16.50x7.00	8.41	7.63	0.56	9.44	11.00	6	0.65	For severe duty use 3556X.
2983CX	108	I	Spoke	16.50x7.00	8.41	7.63	0.56	9.44	11.00	5	0.78	For severe duty use 3556X.
2983D	109	I	Spoke	16.50x7.00	8.41	7.63	0.56	9.44	11.00	6	0.65	
2983DX	109	I	Spoke	16.50x7.00	8.41	7.63	0.56	9.44	11.00	6	0.65	
2983X	106	I	Spoke	16.50x7.00	8.18	7.40	0.56	9.44	11.00	5	0.78	
2983X	106	I	Spoke	16.50x7.00	8.18	7.40	0.56	9.44	11.00	6	0.65	

I – Inboard Mount
O – Outboard Mount
X – Balanced

(tp) – Patented TruPilot Feature
(o) – OEM captive part number

Drum P/N	Drum Weight	Drum Mount	Wheel Type	Brake Size	Overall Depth	Width of Brake Surface	Backface Thickness	Pilot Dia.	Bolt Circle Dia.	Bolt Holes		Special Information
										No.	Size	
2984	97	I	Spoke	15.00x7.00	9.54	7.50	0.50	9.75	11.25	5	0.65	
2984X	97	I	Spoke	15.00x7.00	9.54	7.50	0.50	9.75	11.25	5	0.65	
2987	78	I	Spoke	16.25x3.50	5.46	4.46	0.56	9.25	11.25	5	0.78	Unequally spaced exciter ring mounting.
2987X	78	I	Spoke	16.25x3.50	5.46	4.46	0.56	9.25	11.25	5	0.78	Unequally spaced exciter ring mounting.
2989	102	O	Disc	16.25x3.50	8.82	4.46	0.62	9.00	11.25	10	1.25	Furnished with set screw holes.
2989A	102	O	Disc	16.25x3.50	8.82	4.46	0.62	9.00	11.25	10	1.25	
2989AX	102	O	Disc	16.25x3.50	8.82	4.46	0.62	9.00	11.25	10	1.25	
2989X	102	O	Disc	16.25x3.50	8.82	4.46	0.62	9.00	11.25	10	1.25	Furnished with set screw holes.
2993	98	I	Spoke	16.50x6.00	7.63	6.60	0.50	11.25	12.75	6	0.78	
2993X	98	I	Spoke	16.50x6.00	7.63	6.60	0.50	11.25	12.75	6	0.78	
2994	89	I	Spoke	15.00x7.00	8.74	7.54	0.56	10.50	12.75	5	0.78	Unequally spaced exciter ring mounting.
2994A	89	I	Spoke	15.00x7.00	8.74	7.54	0.56	10.50	12.75	5	0.78	
2994AX	89	I	Spoke	15.00x7.00	8.74	7.54	0.56	10.50	12.75	5	0.78	
2994X	89	I	Spoke	15.00x7.00	8.74	7.54	0.56	10.50	12.75	5	0.78	Unequally spaced exciter ring mounting.
2996	109	I	Spoke	16.50x7.00	9.00	7.44	0.60	10.50	12.75	5	0.78	Unequally spaced exciter ring mounting.
2996X	109	I	Spoke	16.50x7.00	9.00	7.44	0.60	10.50	12.75	5	0.78	Unequally spaced exciter ring mounting.
2997	107	I	Spoke	16.50x7.00	8.74	7.58	0.60	10.50	12.75	5	0.78	Unequally spaced exciter ring mounting.
2997A	107	I	Spoke	16.50x7.00	8.74	7.58	0.60	10.50	12.75	6	0.78	Unequally spaced exciter ring mounting.
2997AX	107	I	Spoke	16.50x7.00	8.74	7.58	0.60	10.50	12.75	6	0.78	Unequally spaced exciter ring mounting.
2997B	107	I	Spoke	16.50x7.00	8.74	7.58	0.60	10.50	12.75	5	0.78	
2997BX	107	I	Spoke	16.50x7.00	8.74	7.58	0.60	10.50	12.75	5	0.78	
2997C	107	I	Spoke	16.50x7.00	8.74	7.58	0.60	10.50	12.75	6	0.78	
2997CX	107	I	Spoke	16.50x7.00	8.74	7.58	0.60	10.50	12.75	6	0.78	
2997DX	107	I	Spoke	16.50x7.00	8.74	7.58	0.60	10.50	12.75	5/6	0.78	
2997X	107	I	Spoke	16.50x7.00	8.74	7.58	0.60	10.50	12.75	5	0.78	Unequally spaced exciter ring mounting.
2999	90	I	Spoke	15.00x6.00	7.04	6.40	0.56	9.00	11.25	5	0.78	Equally spaced exciter ring mounting.
2999X	90	I	Spoke	15.00x6.00	7.04	6.40	0.56	9.00	11.25	5	0.78	Equally spaced exciter ring mounting.
3002	82	I	Spoke	16.50x5.00	6.56	5.40	0.56	9.00	11.25	5	0.78	Equally spaced exciter ring mounting.
3002B	82	I	Spoke	16.50x5.00	6.56	5.40	0.56	9.00	11.25	5	0.78	
3002BX	82	I	Spoke	16.50x5.00	6.56	5.40	0.56	9.00	11.25	5	0.78	
3002X	82	I	Spoke	16.50x5.00	6.56	5.40	0.56	9.00	11.25	5	0.78	Equally spaced exciter ring mounting.
3005	85	I	Spoke	15.00x6.00	8.24	6.53	0.56	10.50	12.75	5	0.78	Unequally spaced exciter ring mounting.
3005A	85	I	Spoke	15.00x6.00	8.24	6.53	0.56	10.50	12.75	5	0.78	
3005AX	85	I	Spoke	15.00x6.00	8.24	6.53	0.56	10.50	12.75	5	0.78	
3005X	85	I	Spoke	15.00x6.00	8.24	6.53	0.56	10.50	12.75	5	0.78	Unequally spaced exciter ring mounting.
3007	80	I	Spoke	15.00x5.00	6.54	5.40	0.56	9.00	11.25	5	0.78	Equally spaced exciter ring mounting.
3007X	80	I	Spoke	15.00x5.00	6.54	5.40	0.56	9.00	11.25	5	0.78	Equally spaced exciter ring mounting.
3012	109	I	Spoke	16.50x7.00	8.94	7.62	0.56	9.50	11.25	5	0.81	
3012A	109	I	Disc	16.50x7.00	8.94	7.62	0.56	9.50	11.25	10	0.81	Un-notched use 3018A.
3012AX	109	I	Disc	16.50x7.00	8.94	7.62	0.56	9.50	11.25	10	0.81	
3012B	109	I	Spoke	16.50x7.00	8.94	7.62	0.56	9.50	11.25	5/6	0.78	

I – Inboard Mount
 O – Outboard Mount
 X – Balanced

(tp) – Patented TruPilot Feature
 (o) – OEM captive part number

Drum P/N	Drum Weight	Drum Mount	Wheel Type	Brake Size	Overall Depth	Width of Brake Surface	Backface Thickness	Pilot Dia.	Bolt Circle Dia.	Bolt Holes		Special Information
										No.	Size	
3012BX	109	I	Spoke	16.50x7.00	8.94	7.62	0.56	9.50	11.25	5/6	0.78	
3012X	109	I	Spoke	16.50x7.00	8.94	7.62	0.56	9.50	11.25	5	0.81	
3013	54	I	Spoke	15.00x3.50	4.56	3.94	0.44	9.00	10.50	5	0.53	Unequally spaced exciter ring mounting.
3013A	54	I	Spoke	15.00x3.50	4.56	3.94	0.44	9.00	10.50	5	0.53	
3013AX	54	I	Spoke	15.00x3.50	4.56	3.94	0.44	9.00	10.50	5	0.53	
3013X	54	I	Spoke	15.00x3.50	4.56	3.94	0.44	9.00	10.50	5	0.53	Unequally spaced exciter ring mounting.
3015	85	I	Spoke	16.50x5.00	6.06	5.37	0.56	9.25	11.25	5	0.78	Unequally spaced exciter ring mounting.
3015X	85	I	Spoke	16.50x5.00	6.06	5.37	0.56	9.25	11.25	5	0.78	Unequally spaced exciter ring mounting.
3016	91	I	Spoke	15.00x6.00	8.78	6.62	0.50	9.75	11.25	5	0.78	
3016X	91	I	Spoke	15.00x6.00	8.78	6.62	0.50	9.75	11.25	5	0.78	
3018	114	I	Spoke	16.50x7.00	8.74	7.50	0.69	9.50	11.25	5	0.81	
3018AX	113	I	Spoke/Disc	16.50x7.00	8.74	7.50	0.69	9.50	11.25	10	0.81	For severe duty use 3564AX.
3018B	114	I	Spoke	16.50x7.00	8.74	7.50	0.69	9.50	11.25	6	0.78	
3018BX	114	I	Spoke	16.50x7.00	8.74	7.50	0.69	9.50	11.25	6	0.78	
3018C	114	I	Spoke	16.50x7.00	8.74	7.50	0.69	9.50	11.25	5	0.81	
3018C	114	I	Spoke	16.50x7.00	8.74	7.50	0.69	9.50	11.25	6	0.65	
3018CX	114	I	Spoke	16.50x7.00	8.74	7.50	0.69	9.50	11.25	5	0.81	
3018CX	114	I	Spoke	16.50x7.00	8.74	7.50	0.69	9.50	11.25	6	0.65	
3018D	114	I	Spoke	16.50x7.00	8.74	7.50	0.69	9.50	11.25	6	0.81	
3018D	114	I	Spoke	16.50x7.00	8.74	7.50	0.69	9.50	11.25	6	0.65	
3018DX	114	I	Spoke	16.50x7.00	8.74	7.50	0.69	9.50	11.25	6	0.65	
3018DX	114	I	Spoke	16.50x7.00	8.74	7.50	0.69	9.50	11.25	6	0.81	
3018X	114	I	Spoke	16.50x7.00	8.74	7.50	0.69	9.50	11.25	5	0.81	
3019	47	I	Spoke	15.00x3.50	4.75	4.06	0.50	8.75	11.25	5	0.78	
3019X	47	I	Spoke	15.00x3.50	4.75	4.06	0.50	8.75	11.25	5	0.78	
3020AX (o)	88	I	Spoke	16.50x5.00	6.41	5.33	0.56	10.00	12.75	5	0.78	Serviced by 3289X.
3020AX (o)	88	I	Disc	16.50x5.00	6.41	5.33	0.56	10.00	12.75	7	0.78	Serviced by 3289X.
3021	110	I	Spoke	16.50x7.00	8.94	7.62	0.56	9.50	11.25	5	0.81	
3021X	110	I	Spoke	16.50x7.00	8.94	7.62	0.56	9.50	11.25	5	0.81	
3022	100	I	Spoke	16.50x6.00	7.43	6.40	0.56	11.25	12.75	6	0.78	Unequally spaced exciter ring mounting.
3022A	100	I	Spoke	16.50x6.00	7.43	6.40	0.56	11.25	12.75	6	0.78	Equally spaced exciter ring mounting.
3022AX	100	I	Spoke	16.50x6.00	7.43	6.40	0.56	11.25	12.75	6	0.78	Equally spaced exciter ring mounting.
3022B	100	I	Spoke	16.50x6.00	7.43	6.40	0.56	11.25	12.75	6	0.78	
3022C	100	I	Spoke	16.50x6.00	7.43	6.40	0.56	11.25	12.75	6	0.78	
3022CX	100	I	Spoke	16.50x6.00	7.43	6.40	0.56	11.25	12.75	6	0.78	
3022X	100	I	Spoke	16.50x6.00	7.43	6.40	0.56	11.25	12.75	6	0.78	Unequally spaced exciter ring mounting.
3023	65	I	Spoke	15.00x4.00	5.39	4.40	0.50	9.50	11.25	6	0.78	Unnotched version of 3094.
3023A	65	I	Spoke	15.00x4.00	5.39	4.40	0.50	9.50	11.25	5	0.78	
3023AX	65	I	Spoke	15.00x4.00	5.39	4.40	0.50	9.50	11.25	5	0.78	
3023B	65	I	Spoke	15.00x4.00	5.39	4.40	0.50	9.50	11.25	6	0.78	
3023BX	65	I	Spoke	15.00x4.00	5.39	4.40	0.50	9.50	11.25	6	0.78	
3023X	65	I	Spoke	15.00x4.00	5.39	4.40	0.50	9.50	11.25	6	0.78	Unnotched version of 3094X.
3026 (o)	96	I	Disc	16.50x5.00	7.86	5.39	0.80	9.00	11.25	10	1.25	
3026X (o)	96	I	Disc	16.50x5.00	7.86	5.39	0.80	9.00	11.25	10	1.25	
3027	106	I	Spoke	16.50x7.00	8.46	7.41	0.56	11.25	12.75	6	0.78	Unequally spaced exciter ring mounting.

I – Inboard Mount
O – Outboard Mount
X – Balanced

(tp) – Patented TruPilot Feature
(o) – OEM captive part number

Active Part Numbers In Order by Part Number

Active Part Numbers In Order by Size

Obsolete Part Numbers In Order by Part Number

Drum P/N	Drum Weight	Drum Mount	Wheel Type	Brake Size	Overall Depth	Width of Brake Surface	Backface Thickness	Pilot Dia.	Bolt Circle Dia.	Bolt Holes		Special Information
										No.	Size	
3027A	106	I	Spoke	16.50x7.00	8.46	7.41	0.56	11.25	12.75	5	0.78	Unequally spaced exciter ring mounting.
3027AX	106	I	Spoke	16.50x7.00	8.46	7.41	0.56	11.25	12.75	5	0.78	Unequally spaced exciter ring mounting. Serviced by 3295AX.
3027B	106	I	Spoke	16.50x7.00	8.46	7.41	0.56	11.25	12.75	5	0.78	
3027BX	106	I	Spoke	16.50x7.00	8.46	7.41	0.56	11.25	12.75	5	0.78	Serviced by 3295AX.
3027C	106	I	Spoke	16.50x7.00	8.46	7.41	0.56	11.25	12.75	6	0.78	
3027D	106	I	Spoke	16.50x7.00	8.46	7.41	0.56	11.25	12.75	5	0.78	
3027DX	106	I	Spoke	16.50x7.00	8.46	7.41	0.56	11.25	12.75	5	0.78	Serviced by 3295AX.
3027E	106	I	Spoke	16.50x7.00	8.46	7.41	0.56	11.25	12.75	5	0.78	With brake surface wear indicator.
3027EX	106	I	Spoke	16.50x7.00	8.46	7.41	0.56	11.25	12.75	5	0.78	With brake surface wear indicator. Serviced by 3295AX.
3027F	106	I	Spoke	16.50x7.00	8.46	7.41	0.56	11.25	12.75	6	0.78	With brake surface wear indicator.
3027FX	106	I	Spoke	16.50x7.00	8.46	7.41	0.56	11.25	12.75	6	0.78	With brake surface wear indicator. Serviced by 3295AX.
3027X	106	I	Spoke	16.50x7.00	8.46	7.41	0.56	11.25	12.75	6	0.78	Unequally spaced exciter ring mounting. Serviced by 3295AX.
3028	118	I	Spoke	16.50x7.00	8.76	7.44	0.56	11.25	12.75	6	0.78	Unequally spaced exciter ring mounting.
3028A	118	I	Spoke	16.50x7.00	8.76	7.44	0.56	11.25	12.75	6	0.65	Unequally spaced exciter ring mounting.
3028AX	118	I	Spoke	16.50x7.00	8.76	7.44	0.56	11.25	12.75	6	0.65	Unequally spaced exciter ring mounting.
3028B	118	I	Spoke	16.50x7.00	8.76	7.44	0.56	11.25	12.75	6	0.78	
3028C	118	I	Spoke	16.50x7.00	8.76	7.44	0.56	11.25	12.75	6	0.65	
3028CX	118	I	Spoke	16.50x7.00	8.76	7.44	0.56	11.25	12.75	6	0.65	
3028X	118	I	Spoke	16.50x7.00	8.76	7.44	0.56	11.25	12.75	6	0.78	Unequally spaced exciter ring mounting.
3030	92	I	Spoke	15.00x7.00	8.40	7.40	0.56	10.50	12.75	5	0.78	Unequally spaced exciter ring mounting.
3030A	92	I	Spoke	15.00x7.00	8.40	7.40	0.56	10.50	12.75	5	0.78	
3030AX	92	I	Spoke	15.00x7.00	8.40	7.40	0.56	10.50	12.75	5	0.78	
3030X	92	I	Spoke	15.00x7.00	8.40	7.40	0.56	10.50	12.75	5	0.78	Unequally spaced exciter ring mounting.
3031	107	I	Spoke	16.50x7.00	8.40	7.40	0.56	10.50	12.75	5	0.78	Unequally spaced exciter ring mounting.
3031A	107	I	Spoke	16.50x7.00	8.40	7.44	0.56	10.50	12.75	5	0.78	
3031AX	107	I	Spoke	16.50x7.00	8.40	7.44	0.56	10.50	12.75	5	0.78	
3031X	107	I	Spoke	16.50x7.00	8.40	7.40	0.56	10.50	12.75	5	0.78	Unequally spaced exciter ring mounting.
3032	79	I	Spoke	15.00x5.00	8.06	5.44	0.50	9.75	11.25	5	0.65	
3032X	79	I	Spoke	15.00x5.00	8.06	5.44	0.50	9.75	11.25	5	0.65	
3037	111	I	Spoke	16.50x7.00	8.69	7.64	0.56	11.25	12.75	6	0.78	
3037A	111	I	Spoke	16.50x7.00	8.69	7.64	0.56	11.25	12.75	5	0.78	
3037AX	111	I	Spoke	16.50x7.00	8.69	7.64	0.56	11.25	12.75	5	0.78	
3037X	111	I	Spoke	16.50x7.00	8.69	7.64	0.56	11.25	12.75	6	0.78	
3039	92	I	Spoke	16.50x5.00	6.24	5.50	0.62	9.25	11.25	6	0.78	
3039X	92	I	Spoke	16.50x5.00	6.24	5.50	0.62	9.25	11.25	6	0.78	
3040	115	O	Disc	16.50x7.00	9.98	7.36	0.50	8.53	11.25	10	0.78	
3040X	115	O	Disc	16.50x7.00	9.98	7.36	0.50	8.53	11.25	10	0.78	
3043	109	I	Spoke	16.50x7.00	8.65	7.65	0.56	10.50	12.75	5	0.78	
3043X	109	I	Spoke	16.50x7.00	8.65	7.65	0.56	10.50	12.75	5	0.78	
3045	64	I	Spoke	15.00x4.00	5.36	4.42	0.56	9.25	11.25	5	0.78	Unequally spaced exciter ring mounting.
3045A	64	I	Spoke	15.00x4.00	5.36	4.42	0.56	9.25	11.25	5	0.78	

I – Inboard Mount
O – Outboard Mount
X – Balanced

(tp) – Patented TruPilot Feature
(o) – OEM captive part number

Drum P/N	Drum Weight	Drum Mount	Wheel Type	Brake Size	Overall Depth	Width of Brake Surface	Backface Thickness	Pilot Dia.	Bolt Circle Dia.	Bolt Holes		Special Information
										No.	Size	
3045AX	64	I	Spoke	15.00x4.00	5.36	4.42	0.56	9.25	11.25	5	0.78	
3045X	64	I	Spoke	15.00x4.00	5.36	4.42	0.56	9.25	11.25	5	0.78	Unequally spaced exciter ring mounting.
3046	81	I	Spoke	15.00x6.00	7.43	6.40	0.56	11.25	12.75	6	0.78	Unequally spaced exciter ring mounting.
3046A	81	I	Spoke	15.00x6.00	7.43	6.40	0.56	11.25	12.75	6	0.78	
3046AX	81	I	Spoke	15.00x6.00	7.43	6.40	0.56	11.25	12.75	6	0.78	
3046B	81	I	Spoke	15.00x6.00	7.43	6.40	0.56	11.25	12.75	6	0.78	
3046BX	81	I	Spoke	15.00x6.00	7.43	6.40	0.56	11.25	12.75	6	0.78	
3046C	81	I	Spoke	15.00x6.00	7.43	6.40	0.56	11.25	12.75	6	0.78	
3046X	81	I	Spoke	15.00x6.00	7.43	6.40	0.56	11.25	12.75	6	0.78	Unequally spaced exciter ring mounting.
3048	104	I	Spoke	17.00x6.00	7.30	6.40	0.56	11.25	12.75	6	0.78	Unequally spaced exciter ring mounting.
3048A	104	I	Spoke	17.00x6.00	7.30	6.40	0.56	11.25	12.75	6	0.78	Equally spaced exciter ring mounting.
3048AX	104	I	Spoke	17.00x6.00	7.30	6.40	0.56	11.25	12.75	6	0.78	Equally spaced exciter ring mounting.
3048B	104	I	Spoke	17.00x6.00	7.30	6.40	0.56	11.25	12.75	6	0.78	
3048BX	104	I	Spoke	17.00x6.00	7.30	6.40	0.56	11.25	12.75	6	0.78	
3048X	104	I	Spoke	17.00x6.00	7.30	6.40	0.56	11.25	12.75	6	0.78	Unequally spaced exciter ring mounting.
3049X (o)	95	O	Disc	15.00x5.00	9.16	5.56	0.62	9.00	11.25	10	1.25	
3050X (o)	88	O	Disc	15.00x4.00	9.00	5.40	0.62	9.00	11.25	10	1.25	
3051 (o)	110	O	Disc	15.00x6.00	9.81	6.50	0.62	9.00	11.25	10	1.25	
3051X (o)	110	O	Disc	15.00x6.00	9.81	6.50	0.62	9.00	11.25	10	1.25	
3052 (o)	121	O	Disc	16.50x6.00	9.78	6.31	0.62	9.00	11.25	10	1.25	
3052X (o)	121	O	Disc	16.50x6.00	9.78	6.31	0.62	9.00	11.25	10	1.25	
3053X (o)	123	O	Disc	17.00x6.00	9.67	6.43	0.63	9.00	11.25	10	1.25	
3054	69	I	Disc	15.00x4.00	6.95	4.32	0.50	8.35	11.25	10	1.25	
3054X	69	I	Disc	15.00x4.00	6.95	4.32	0.50	8.35	11.25	10	1.25	
3057	75	I	Spoke	15.00x4.00	5.85	4.65	0.56	9.25	11.25	5	0.78	Equally spaced exciter ring mounting.
3057A	75	I	Spoke	15.00x4.00	5.85	4.65	0.56	9.25	11.25	6	0.78	Unequally spaced exciter ring mounting.
3057AX	75	I	Spoke	15.00x4.00	5.85	4.65	0.56	9.25	11.25	6	0.78	Unequally spaced exciter ring mounting.
3057B	75	I	Spoke	15.00x4.00	5.85	4.65	0.56	9.25	11.25	5	0.78	
3057BX	75	I	Spoke	15.00x4.00	5.85	4.65	0.56	9.25	11.25	5	0.78	
3057E	75	I	Spoke	15.00x4.00	5.85	4.65	0.56	9.25	11.25	6	0.78	
3057EX	75	I	Spoke	15.00x4.00	5.85	4.65	0.56	9.25	11.25	6	0.78	
3057F	75	I	Spoke	15.00x4.00	5.85	4.65	0.56	9.25	11.25	5/6	0.78	
3057FX	75	I	Spoke	15.00x4.00	5.85	4.65	0.56	9.25	11.25	5/6	0.78	
3057X	75	I	Spoke	15.00x4.00	5.85	4.65	0.56	9.25	11.25	5	0.78	Equally spaced exciter ring mounting.
3060	108	I	Spoke	16.00x6.00	8.40	6.56	0.62	10.50	12.75	5	0.78	
3060X	108	I	Spoke	16.00x6.00	8.40	6.56	0.62	10.50	12.75	5	0.78	
3068	90	I	Spoke	15.00x6.00	7.53	6.50	0.56	11.25	12.75	6	0.78	
3068X	90	I	Spoke	15.00x6.00	7.53	6.50	0.56	11.25	12.75	6	0.78	
3071	89	I	Disc	15.00x5.00	8.10	5.40	0.56	9.44	11.25	10	0.78	
3071X	89	I	Disc	15.00x5.00	8.10	5.40	0.56	9.44	11.25	10	0.78	
3072 (o)	82	I	Disc	15.00x4.00	7.84	4.40	0.56	9.44	11.25	10	0.78	
3072A (o)	82	I	Disc	15.00x4.00	7.84	4.40	0.56	9.44	11.25	10	0.78	
3072AX (o)	82	I	Disc	15.00x4.00	7.84	4.40	0.56	9.44	11.25	10	0.78	
3074	68	I	Spoke	16.25x3.50	4.68	3.96	0.56	9.50	11.25	5	0.78	Unequally spaced exciter ring mounting.
3074B	68	I	Spoke	16.25x3.50	4.68	3.96	0.56	9.50	11.25	5	0.78	

I – Inboard Mount
O – Outboard Mount
X – Balanced

(tp) – Patented TruPilot Feature
(o) – OEM captive part number

Active Part Numbers In Order by Part Number

Active Part Numbers In Order by Size

Obsolete Part Numbers In Order by Part Number

Drum P/N	Drum Weight	Drum Mount	Wheel Type	Brake Size	Overall Depth	Width of Brake Surface	Backface Thickness	Pilot Dia.	Bolt Circle Dia.	Bolt Holes		Special Information
										No.	Size	
3074BX	68	I	Spoke	16.25x3.50	4.68	3.96	0.56	9.50	11.25	5	0.78	
3074X	68	I	Spoke	16.25x3.50	4.68	3.96	0.56	9.50	11.25	5	0.78	Unequally spaced exciter ring mounting.
3075 (o)	108	O	Disc	16.50x5.00	9.16	5.38	0.62	9.00	11.25	10	1.25	
3075X (o)	108	O	Disc	16.50x5.00	9.16	5.38	0.62	9.00	11.25	10	1.25	
3085	0	I	Spoke	15.00x5.00	8.42	5.76	0.50	6.44	8.75	5	0.78	Equally spaced exciter ring mounting.
3085X	0	I	Spoke	15.00x5.00	8.42	5.76	0.50	6.44	8.75	5	0.78	Equally spaced exciter ring mounting.
3086 (o)	70	I	Disc	16.25x3.50	6.06	3.85	0.44	9.00	11.25	10	1.25	Equally spaced exciter ring mounting.
3086A (o)	70	I	Disc	16.25x3.50	6.06	3.85	0.44	9.00	11.25	10	1.25	
3086AX (o)	70	I	Disc	16.25x3.50	6.06	3.85	0.44	9.00	11.25	10	1.25	
3086X (o)	70	I	Disc	16.25x3.50	6.06	3.85	0.44	9.00	11.25	10	1.25	Equally spaced exciter ring mounting.
3088 (o)	63	O	Disc	15.00x3.50	5.75	3.94	0.44	12.75	11.25	10	0.81	
3088X (o)	63	O	Disc	15.00x3.50	5.75	3.94	0.44	12.75	11.25	10	0.81	
3090X (o)	102	I	Disc	16.50x5.00	8.10	5.40	0.56	9.44	11.25	10	0.78	
3091	69	I	Spoke	15.00x4.00	5.47	4.50	0.56	9.25	11.25	5	0.78	
3091X	69	I	Spoke	15.00x4.00	5.47	4.50	0.56	9.25	11.25	5	0.78	
3092 (o)	101	O	Disc	16.50x5.00	9.16	5.38	0.62	9.00	11.25	10	1.25	
3092X (o)	101	O	Disc	16.50x5.00	9.16	5.38	0.62	9.00	11.25	10	1.25	
3094	70	I	Spoke	15.00x4.00	6.13	4.40	0.50	9.50	11.25	6	0.78	Unnotched version of 3023.
3094X	70	I	Spoke	15.00x4.00	6.13	4.40	0.50	9.50	11.25	6	0.78	Unnotched version of 3023X.
3097	98	O	Disc	15.00x7.00	9.98	7.36	0.50	8.53	11.25	10	0.78	
3097A	98	O	Disc	15.00x7.00	9.98	7.36	0.50	8.78	11.25	10	1.00	
3097B	98	O	Disc	15.00x7.00	9.98	7.36	0.50	9.00	10.82	8	1.00	
3097BX	98	O	Disc	15.00x7.00	9.98	7.36	0.50	9.00	10.82	8	1.00	
3097X	98	O	Disc	15.00x7.00	9.98	7.36	0.50	8.53	11.25	10	0.78	
3105 (o)	115	O	Disc	16.50x7.00	10.18	7.56	0.50	8.53	11.25	10	0.78	
3105X (o)	115	O	Disc	16.50x7.00	10.18	7.56	0.50	8.53	11.25	10	0.78	
3111	105	I	Spoke	16.50x6.00	8.78	6.86	0.56	9.75	11.25	5	0.78	
3111A	105	I	Spoke	16.50x6.00	8.78	6.86	0.56	9.75	11.25	5	0.65	
3111AX	105	I	Spoke	16.50x6.00	8.78	6.86	0.56	9.75	11.25	5	0.65	
3111X	105	I	Spoke	16.50x6.00	8.78	6.86	0.56	9.75	11.25	5	0.78	
3112	107	I	Spoke	16.50x7.00	8.22	7.40	0.56	11.25	12.75	6	0.78	Unequally spaced exciter ring mounting.
3112A	107	I	Spoke	16.50x7.00	8.22	7.40	0.56	11.25	12.75	6	0.78	
3112X	107	I	Spoke	16.50x7.00	8.22	7.40	0.56	11.25	12.75	6	0.78	Unequally spaced exciter ring mounting.
3119	76	I	Spoke	15.00x4.00	5.68	4.40	0.56	9.25	11.25	6	0.78	Unequally spaced exciter ring mounting.
3119A	76	I	Spoke	15.00x4.00	5.68	4.40	0.56	9.25	11.25	6	0.78	
3119AX	76	I	Spoke	15.00x4.00	5.68	4.40	0.56	9.25	11.25	6	0.78	
3119X	76	I	Spoke	15.00x4.00	5.68	4.40	0.56	9.25	11.25	6	0.78	Unequally spaced exciter ring mounting.
3120X	114	O	Disc	16.50x7.00	10.74	7.52	0.59	9.44	11.25	10	0.84	
3125	90	I	Spoke	15.00x7.00	9.53	7.50	0.56	9.50	11.25	5	0.78	
3125A	90	I	Spoke	15.00x7.00	9.53	7.50	0.56	9.50	11.25	10	0.81	
3125AX	90	I	Spoke	15.00x7.00	9.53	7.50	0.56	9.50	11.25	10	0.81	
3125X	90	I	Spoke	15.00x7.00	9.53	7.50	0.56	9.50	11.25	5	0.78	
3128	116	I	Spoke	16.50x8.50	10.40	9.00	0.56	11.25	12.75	5	0.78	
3128X	116	I	Spoke	16.50x8.50	10.40	9.00	0.56	11.25	12.75	5	0.78	
3130	110	I	Disc	16.50x7.00	10.64	7.68	0.44	8.53	11.25	10	0.81	
3130X	110	I	Disc	16.50x7.00	10.64	7.68	0.44	8.53	11.25	10	0.81	

I – Inboard Mount (tp) – Patented TruPilot Feature
O – Outboard Mount (o) – OEM captive part number
X – Balanced

Drum P/N	Drum Weight	Drum Mount	Wheel Type	Brake Size	Overall Depth	Width of Brake Surface	Backface Thickness	Pilot Dia.	Bolt Circle Dia.	Bolt Holes		Special Information
										No.	Size	
3134	82	I	Spoke	15.00x6.00	7.91	6.62	0.59	14.25	12.75	5	0.65	
3134X	82	I	Spoke	15.00x6.00	7.91	6.62	0.59	14.25	12.75	5	0.65	
3135	107	I	Spoke	16.50x7.00	7.94	7.32	0.41	11.00	12.75	6	0.64	
3135X	107	I	Spoke	16.50x7.00	7.94	7.32	0.41	11.00	12.75	6	0.64	
3136	105	I	Spoke	16.50x7.00	8.03	7.44	0.59	14.25	12.75	5	0.65	Requires clipped head drum bolts.
3136AX	105	I	Spoke	16.50x7.00	8.03	7.44	0.59	14.25	12.75	5	0.65	
3136AX	105	I	Spoke	16.50x7.00	8.03	7.44	0.59	14.25	12.75	6	0.65	
3136BX	106	I	Spoke	16.50x7.00	8.03	7.44	0.59	14.25	12.75	5	0.78	
3136X	105	I	Spoke	16.50x7.00	8.03	7.44	0.59	14.25	12.75	5	0.65	Requires clipped head drum bolts.
3139 (o)	84	I	Spoke	15.00x7.00	8.38	7.50	0.50	11.00	12.50	6	0.65	
3139X (o)	84	I	Spoke	15.00x7.00	8.38	7.50	0.50	11.00	12.50	6	0.65	
3140 (o)	84	I	Spoke	15.00x7.00	8.38	7.50	0.50	11.00	12.50	5	0.65	
3140X (o)	84	I	Spoke	15.00x7.00	8.38	7.50	0.50	11.00	12.50	5	0.65	
3141A	105	O	Disc	16.50x7.00	10.59	7.75	0.50	9.00	11.25	10	1.00	Furnished with set screw holes.
3141AX	105	O	Disc	16.50x7.00	10.59	7.75	0.50	9.00	11.25	10	0.81	Furnished with set screw holes.
3141BX	105	O	Disc	16.50x7.00	10.59	7.75	0.50	9.00	10.82	8	1.00	
3141C	105	O	Disc	16.50x7.00	10.59	7.75	0.50	9.00	11.25	10	1.00	
3141CX	105	O	Disc	16.50x7.00	10.59	7.75	0.50	9.00	11.25	10	1.00	
3141E	105	O	Disc	16.50x7.00	10.59	7.75	0.50	9.00	11.25	10	1.26	
3141E	105	O	Disc	16.50x7.00	10.59	7.75	0.50	9.00	11.25	6	1.26	
3141E	105	O	Disc	16.50x7.00	10.59	7.75	0.50	9.00	11.25	5	1.26	
3141EX	105	O	Disc	16.50x7.00	10.59	7.75	0.50	9.00	11.25	5	1.26	
3141EX	105	O	Disc	16.50x7.00	10.59	7.75	0.50	9.00	11.25	10	1.26	
3141EX	105	O	Disc	16.50x7.00	10.59	7.75	0.50	9.00	11.25	6	1.26	
3142X (o)	101	I	Spoke	16.50x7.00	8.44	7.38	0.50	11.00	12.50	6	0.65	
3143 (o)	101	I	Spoke	16.50x7.00	8.44	7.38	0.50	11.00	12.50	5	0.65	
3143X (o)	101	I	Spoke	16.50x7.00	8.44	7.38	0.50	11.00	12.50	5	0.65	
3151	66	I	Disc	15.00x5.00	7.31	5.50	0.31	7.50	8.75	6	0.81	
3151X	66	I	Disc	15.00x5.00	7.31	5.50	0.31	7.50	8.75	6	0.81	
3152	77	I	Disc	16.00x5.00	8.53	5.94	0.31	7.50	8.75	6	0.81	
3152X	77	I	Disc	16.00x5.00	8.53	5.94	0.31	7.50	8.75	6	0.81	
3153	80	I	Disc	16.00x6.00	9.06	6.53	0.31	7.50	8.75	6	0.81	
3153X	80	I	Disc	16.00x6.00	9.06	6.53	0.31	7.50	8.75	6	0.81	
3154	80	I	Disc	15.00x6.00	8.69	6.75	0.44	9.37	11.25	10	0.81	
3154X	80	I	Disc	15.00x6.00	8.69	6.75	0.44	9.37	11.25	10	0.81	
3155	89	I	Disc	15.00x6.00	9.00	6.69	0.44	7.50	8.75	6	0.81	
3155X	89	I	Disc	15.00x6.00	9.00	6.69	0.44	7.50	8.75	6	0.81	
3158	87	O	Disc	15.00x4.00	8.91	4.40	0.62	9.00	11.25	10	1.25	
3158A	87	O	Disc	15.00x4.00	8.91	4.40	0.62	9.00	11.25	10	1.06	
3158AX	87	O	Disc	15.00x4.00	8.91	4.40	0.62	9.00	11.25	10	1.06	
3159	98	I	Disc	15.00x6.00	8.38	6.40	0.68	9.00	11.25	10	1.25	
3159A	98	I	Disc	15.00x6.00	8.38	6.40	0.68	9.00	11.25	10	1.25	
3159AX	98	I	Disc	15.00x6.00	8.38	6.40	0.68	9.00	11.25	10	1.25	
3159B	98	I	Disc	15.00x6.00	8.38	6.40	0.68	9.00	11.25	10	1.06	
3159BX	98	I	Disc	15.00x6.00	8.38	6.40	0.68	9.00	11.25	10	1.06	
3159X	98	I	Disc	15.00x6.00	8.38	6.40	0.68	9.00	11.25	10	1.25	
3165 (o)	69	I	Spoke	15.00x4.00	5.88	4.96	0.56	10.00	12.75	6	0.78	
3165A (o)	69	I	Disc	15.00x4.00	5.88	4.96	0.56	10.00	12.75	7	0.78	
3165AX (o)	69	I	Disc	15.00x4.00	5.88	4.96	0.56	10.00	12.75	7	0.78	
3165AX (o)	69	I	Spoke	15.00x4.00	5.88	4.96	0.56	10.00	12.75	5	0.78	
3165X (o)	69	I	Spoke	15.00x4.00	5.88	4.96	0.56	10.00	12.75	6	0.78	

I – Inboard Mount
O – Outboard Mount
X – Balanced

(tp) – Patented TruPilot Feature
(o) – OEM captive part number

Active Part Numbers In Order by Part Number

Active Part Numbers In Order by Size

Obsolete Part Numbers In Order by Part Number

Drum P/N	Drum Weight	Drum Mount	Wheel Type	Brake Size	Overall Depth	Width of Brake Surface	Backface Thickness	Pilot Dia.	Bolt Circle Dia.	Bolt Holes		Special Information
										No.	Size	
3166A	115	O	Disc	16.50x7.00	10.59	7.63	0.44	8.53	11.25	10	0.81	For use on ferrous hubs only.
3168	130	I	Disc	16.50x8.62	10.19	9.06	0.68	9.50	11.25	10	0.81	
3168X	130	I	Disc	16.50x8.62	10.19	9.06	0.68	9.50	11.25	10	0.81	
3169	80	I	Disc	15.00x5.00	8.00	5.75	0.44	6.44	8.75	10	0.76	Equally spaced exciter ring mounting.
3169A	80	I	Disc	15.00x5.00	8.00	5.75	0.44	6.44	8.75	6	0.81	Equally spaced exciter ring mounting.
3169AX	80	I	Disc	15.00x5.00	8.00	5.75	0.44	6.44	8.75	6	0.81	Equally spaced exciter ring mounting.
3169B	80	I	Disc	15.00x5.00	8.00	5.75	0.44	6.51	8.75	6	0.81	Equally spaced exciter ring mounting.
3169BX	80	I	Disc	15.00x5.00	8.00	5.75	0.44	6.51	8.75	6	0.81	Equally spaced exciter ring mounting.
3169X	80	I	Disc	15.00x5.00	8.00	5.75	0.44	6.44	8.75	10	0.76	Equally spaced exciter ring mounting.
3174X	75	I	Spoke	12.25x7.50	8.88	8.00	0.50	8.50	10.00	6	0.65	6 equally spaced bolt holes.
3174X	75	I	Spoke	12.25x7.50	8.88	8.00	0.50	8.50	10.00	6	0.65	6 paired bolt holes.
3175	94	I	Spoke	15.00x7.00	8.50	7.50	0.56	10.50	12.75	5	0.78	
3175X	94	I	Spoke	15.00x7.00	8.50	7.50	0.56	10.50	12.75	5	0.78	
3176	94	I	Spoke	15.00x7.00	8.70	7.64	0.56	11.25	12.75	6	0.78	
3176A	94	I	Spoke	15.00x7.00	8.70	7.64	0.56	11.25	12.75	5	0.78	
3176AX	94	I	Spoke	15.00x7.00	8.70	7.64	0.56	11.25	12.75	5	0.78	
3176X	94	I	Spoke	15.00x7.00	8.70	7.64	0.56	11.25	12.75	6	0.78	
3178 (o)	110	I	Spoke	16.50x7.00	8.26	7.67	0.59	14.25	12.75	5	0.65	
3178X (o)	110	I	Spoke	16.50x7.00	8.26	7.67	0.59	14.25	12.75	5	0.65	
3183X (o)	71	I	Disc	15.00x4.00	7.07	4.96	0.56	9.50	11.25	10	0.81	
3185X (o)	113	O	Disc	16.50x7.00	9.06	7.76	0.56	9.50	11.25	10	0.79	
3186	40	I	Disc	15.00x3.00	4.69	3.50	0.44	6.44	8.00	5	0.65	
3186X	40	I	Disc	15.00x3.00	4.69	3.50	0.44	6.44	8.00	5	0.65	
3187 (o)	101	I	Disc	15.00x7.00	9.30	7.50	0.52	9.37	11.25	10	0.81	
3187X (o)	101	I	Disc	15.00x7.00	9.30	7.50	0.52	9.37	11.25	10	0.81	
3192X (o)	87	O	Disc	15.00x4.00	9.25	5.65	0.62	8.53	11.25	10	1.25	
3192X (o)	87	O	Disc	15.00x5.00	9.25	5.65	0.62	8.53	11.25	10	1.25	
3195	105	I	Disc	16.50x7.00	8.50	7.44	0.50	8.66	11.25	10	0.81	Serviced by 3195X.
3196	122	I	Spoke	16.50x7.00	8.00	7.31	0.41	11.00	12.75	6	0.64	
3196X	122	I	Spoke	16.50x7.00	8.00	7.31	0.41	11.00	12.75	6	0.64	
3197	148	I	Spoke	18.00x7.00	8.24	7.50	0.50	11.00	12.75	6	0.64	Serviced by 3197X.
3212 (o)	92	O	Disc	15.00x6.00	9.46	6.46	0.51	7.00	8.75	10	0.73	
3212X (o)	92	O	Disc	15.00x6.00	9.46	6.46	0.51	7.00	8.75	10	0.73	
3214 (o)	80	I	Spoke	15.00x6.00	7.00	6.46	0.51	13.25	12.00	5	0.65	
3214X (o)	80	I	Spoke	15.00x6.00	7.00	6.46	0.51	13.25	12.00	5	0.65	
3215 (o)	112	O	Disc	16.50x7.00	10.60	7.74	0.50	9.00	11.25	10	0.81	
3215X (o)	112	O	Disc	16.50x7.00	10.60	7.74	0.50	9.00	11.25	10	0.81	
3219	106	O	Disc	15.00x7.00	10.47	7.59	0.44	8.53	11.25	10	0.81	
3219AX	106	O	Disc	15.00x7.00	10.47	7.59	0.44	8.78	11.25	10	1.00	
3219X	106	O	Disc	15.00x7.00	10.47	7.59	0.44	8.53	11.25	10	0.81	
3234 (o)	53	I	Spoke	15.00x3.50	5.38	3.94	0.50	9.18	11.25	5	0.65	
3234X (o)	53	I	Spoke	15.00x3.50	5.38	3.94	0.50	9.18	11.25	5	0.65	
3235 (o)	85	I	Spoke	15.00x5.00	6.34	5.44	0.50	9.18	11.25	5	0.65	
3235X (o)	85	I	Spoke	15.00x5.00	6.34	5.44	0.50	9.18	11.25	5	0.65	
3239 (o)	111	O	Disc	15.00x6.00	9.80	6.50	0.62	9.00	11.25	10	1.25	
3239X (o)	111	O	Disc	15.00x6.00	9.80	6.50	0.62	9.00	11.25	10	1.25	
3242	90	I	Disc	16.50x6.00	8.00	6.48	0.44	9.37	11.25	10	0.81	Equally spaced exciter ring mounting.
3242A	90	I	Disc	16.50x6.00	8.00	6.48	0.44	9.37	11.25	10	0.81	

I – Inboard Mount
O – Outboard Mount
X – Balanced

(tp) – Patented TruPilot Feature
(o) – OEM captive part number

Drum P/N	Drum Weight	Drum Mount	Wheel Type	Brake Size	Overall Depth	Width of Brake Surface	Backface Thickness	Pilot Dia.	Bolt Circle Dia.	Bolt Holes		Special Information
										No.	Size	
3242AX	90	I	Disc	16.50x6.00	8.00	6.48	0.44	9.37	11.25	10	0.81	Equally spaced exciter ring mounting.
3242X	90	I	Disc	16.50x6.00	8.00	6.48	0.44	9.37	11.25	10	0.81	
3243	49	I	Spoke	15.00x3.50	4.42	3.88	0.44	8.99	10.50	5	0.65	Equally spaced exciter ring mounting.
3243X	49	I	Spoke	15.00x3.50	4.42	3.88	0.44	8.99	10.50	5	0.65	
3244	60	I	Spoke	15.00x4.00	5.54	4.44	0.50	9.18	11.25	5	0.65	Equally spaced exciter ring mounting.
3244A	60	I	Spoke	15.00x4.00	5.54	4.44	0.50	9.18	11.25	5	0.65	
3244AX	60	I	Spoke	15.00x4.00	5.54	4.44	0.50	9.18	11.25	5	0.65	Equally spaced exciter ring mounting.
3244B	60	I	Spoke	15.00x4.00	5.54	4.44	0.50	9.18	11.25	6	0.65	
3244BX	60	I	Spoke	15.00x4.00	5.54	4.44	0.50	9.18	11.25	6	0.65	Equally spaced exciter ring mounting.
3244C	60	I	Spoke	15.00x4.00	5.54	4.44	0.50	9.18	11.25	5/6	0.78	
3244CX	60	I	Spoke	15.00x4.00	5.54	4.44	0.50	9.18	11.25	5/6	0.78	Equally spaced exciter ring mounting.
3244D	60	I	Spoke	15.00x4.00	5.54	4.44	0.50	9.18	11.25	5	0.78	
3244DX	60	I	Spoke	15.00x4.00	5.54	4.44	0.50	9.18	11.25	5	0.78	Equally spaced exciter ring mounting.
3244E	60	I	Spoke	15.00x4.00	5.54	4.44	0.50	9.18	11.25	6	0.78	
3244EX	60	I	Spoke	15.00x4.00	5.54	4.44	0.50	9.18	11.25	6	0.78	Equally spaced exciter ring mounting.
3244F	60	I	Spoke	15.00x4.00	5.54	4.44	0.50	9.18	11.25	5/6	0.65	
3244FX	60	I	Spoke	15.00x4.00	5.54	4.44	0.50	9.18	11.25	5/6	0.65	Equally spaced exciter ring mounting.
3244X	60	I	Spoke	15.00x4.00	5.54	4.44	0.50	9.18	11.25	5	0.65	
3249	62	I	Disc	15.00x3.00	8.14	3.76	0.50	7.12	8.75	6	0.81	Equally spaced exciter ring mounting.
3249X	62	I	Disc	15.00x3.00	8.14	3.76	0.50	7.12	8.75	6	0.81	
3251	70	I	Spoke	16.00x5.00	6.90	5.90	0.50	13.25	12.00	5	0.65	Equally spaced exciter ring mounting.
3251X	70	I	Spoke	16.00x5.00	6.90	5.90	0.50	13.25	12.00	5	0.65	
3252	40	I	Spoke	15.00x3.00	3.82	3.52	0.44	12.00	11.00	5/6	0.53	Equally spaced exciter ring mounting.
3252X	40	I	Spoke	15.00x3.00	3.82	3.52	0.44	12.00	11.00	5/6	0.53	
3256	69	I	Spoke	15.00x5.00	6.04	5.50	0.56	9.25	11.25	6	0.78	Equally spaced exciter ring mounting.
3256X	69	I	Spoke	15.00x5.00	6.04	5.50	0.56	9.25	11.25	6	0.78	
3257	115	I	Disc	16.50x7.00	10.30	7.56	0.62	9.37	11.25	10	0.81	Equally spaced exciter ring mounting.
3257X	115	I	Disc	16.50x7.00	10.30	7.56	0.62	9.37	11.25	10	0.81	
3258	80	I	Spoke	16.00x6.00	7.48	6.44	0.50	13.25	12.00	5	0.65	Equally spaced exciter ring mounting.
3258X	80	I	Spoke	16.00x6.00	7.48	6.44	0.50	13.25	12.00	5	0.65	
3259	82	I	Disc	15.00x6.00	7.90	6.60	0.46	9.44	11.25	10	0.81	Equally spaced exciter ring mounting.
3259X	82	I	Disc	15.00x6.00	7.90	6.60	0.46	9.44	11.25	10	0.81	
3260	84	I	Disc	15.00x6.00	7.78	6.44	0.56	7.12	8.75	6	0.81	Equally spaced exciter ring mounting.
3260X	84	I	Disc	15.00x6.00	7.78	6.44	0.56	7.12	8.75	6	0.81	
3265	127	I	Spoke	16.50x7.00	8.20	7.40	0.56	11.25	12.75	6	0.78	Rated for applications up to 238K GAWR
3266	149	I	Spoke	18.00x7.00	8.20	7.40	0.60	11.25	12.75	6	0.78	
3276 (o)	106	I	Spoke	16.50x7.00	8.03	7.44	0.59	14.25	12.75	6	0.65	Requires clipped head drum bolts.
3276 (o)	106	I	Spoke	16.50x7.00	8.03	7.44	0.59	14.25	12.75	6	0.65	
3276AX (o)	106	I	Spoke	16.50x7.00	8.03	7.44	0.59	14.25	12.75	6	0.65	Requires clipped head drum bolts.
3276X (o)	106	I	Spoke	16.50x7.00	8.03	7.44	0.59	14.25	12.75	6	0.65	
3279	66	I	Spoke	15.00x3.50	5.18	4.10	0.56	6.44	8.00	5	0.78	Equally spaced exciter ring mounting.
3279X	66	I	Spoke	15.00x3.50	5.18	4.10	0.56	6.44	8.00	5	0.78	
3280 (o)	112	O	Disc	16.50x7.00	10.38	7.44	0.50	8.53	11.25	10	0.81	Equally spaced exciter ring mounting.
3280A (o)	112	O	Disc	16.50x7.00	10.38	7.44	0.50	8.53	11.25	10	0.81	
3280AX (o)	112	O	Disc	16.50x7.00	10.38	7.44	0.50	8.53	11.25	10	0.81	Equally spaced exciter ring mounting.
3280X (o)	112	O	Disc	16.50x7.00	10.38	7.44	0.50	8.53	11.25	10	0.81	
3281 (o)	57	I	Spoke	16.25x3.00	4.88	3.50	0.44	9.50	11.25	6	0.53	Equally spaced exciter ring mounting.

I – Inboard Mount (tp) – Patented TruPilot Feature
O – Outboard Mount (o) – OEM captive part number
X – Balanced

Drum P/N	Drum Weight	Drum Mount	Wheel Type	Brake Size	Overall Depth	Width of Brake Surface	Backface Thickness	Pilot Dia.	Bolt Circle Dia.	Bolt Holes		Special Information
										No.	Size	
3281X (o)	57	I	Spoke	16.25x3.00	4.88	3.50	0.44	9.50	11.25	6	0.53	
3283 (o)	69	I	Disc	15.00x4.00	5.12	4.40	0.56	9.00	11.25	10	0.81	
3283X (o)	69	I	Disc	15.00x4.00	5.12	4.40	0.56	9.00	11.25	10	0.81	
3285	60	O	Disc	15.00x3.00	6.90	3.60	0.40	6.43	8.75	10	0.71	
3285A	60	O	Disc	15.00x3.00	6.90	3.60	0.40	6.43	8.75	6	0.78	
3285AX	60	O	Disc	15.00x3.00	6.90	3.60	0.40	6.43	8.75	6	0.78	
3285X	60	O	Disc	15.00x3.00	6.90	3.60	0.40	6.43	8.75	10	0.71	
3288	80	I	Spoke	15.00x6.00	7.00	6.46	0.51	13.25	12.00	5	0.65	
3288X	80	I	Spoke	15.00x6.00	7.00	6.46	0.51	13.25	12.00	5	0.65	
3289	88	I	Spoke	16.50x5.00	6.40	5.34	0.56	10.00	12.75	6	0.78	Serviced by 3289X.
3289	88	I	Disc	16.50x5.00	6.40	5.34	0.56	10.00	12.75	7	0.78	Serviced by 3289X.
3289	88	I	Spoke	16.50x5.00	6.40	5.34	0.56	10.00	12.75	5	0.78	Serviced by 3289X.
3289B	88	I	Spoke	16.50x5.00	6.40	5.34	0.56	10.00	12.75	5/6	0.78	
3289BX	88	I	Spoke	16.50x5.00	6.40	5.34	0.56	10.00	12.75	5/6	0.78	
3290	93	O	Disc	15.00x4.00	9.00	5.40	0.62	9.00	11.25	10	1.25	
3290X	93	O	Disc	15.00x4.00	9.00	5.40	0.62	9.00	11.25	10	1.25	
3291	88	I	Spoke	15.00x6.00	7.48	6.50	0.56	11.25	12.75	6	0.65	Equally spaced exciter ring mounting.
3291A	88	I	Spoke	15.00x6.00	7.48	6.50	0.56	11.25	12.75	6	0.65	
3291AX	88	I	Spoke	15.00x6.00	7.48	6.50	0.56	11.25	12.75	6	0.65	
3291X	88	I	Spoke	15.00x6.00	7.48	6.50	0.56	11.25	12.75	6	0.65	Equally spaced exciter ring mounting.
3292	84	I	Spoke	16.50x5.00	6.68	5.36	0.56	10.00	12.75	6	0.78	
3292X	84	I	Spoke	16.50x5.00	6.68	5.36	0.56	10.00	12.75	6	0.78	
3293	115	O	Disc	16.50x7.00	9.98	7.36	0.50	8.53	11.25	10	0.78	
3293A	115	O	Disc	16.50x7.00	9.98	7.36	0.50	8.53	11.25	10	0.84	
3293AX	115	O	Disc	16.50x7.00	9.98	7.36	0.50	8.53	11.25	10	0.84	
3293X	115	O	Disc	16.50x7.00	9.98	7.36	0.50	8.53	11.25	10	0.78	
3294	69	I	Disc	15.00x4.00	5.88	4.96	0.56	10.00	12.75	7	0.78	
3294	69	I	Spoke	15.00x4.00	5.88	4.96	0.56	10.00	12.75	5	0.78	
3294	69	I	Spoke	15.00x4.00	5.88	4.96	0.56	10.00	12.75	6	0.78	
3294X	69	I	Spoke	15.00x4.00	5.88	4.96	0.56	10.00	12.75	6	0.78	
3294X	69	I	Spoke	15.00x4.00	5.88	4.96	0.56	10.00	12.75	5	0.78	
3294X	69	I	Disc	15.00x4.00	5.88	4.96	0.56	10.00	12.75	7	0.78	
3295	107	I	Spoke	16.50x7.00	8.46	7.41	0.56	11.25	12.75	5/6	0.78	Unequally spaced exciter ring mounting.
3295X	107	I	Spoke	16.50x7.00	8.46	7.41	0.56	11.25	12.75	5/6	0.78	Unequally spaced exciter ring mounting. Serviced by 3295AX.
3298	61	I	Spoke	15.00x4.00	5.00	4.34	0.50	9.50	11.25	5	0.78	
3298X	61	I	Spoke	15.00x4.00	5.00	4.34	0.50	9.50	11.25	5	0.78	
3300 (o)	87	I	Spoke	15.00x6.00	7.47	6.50	0.56	11.25	12.75	6	0.65	
3300X (o)	87	I	Spoke	15.00x6.00	7.47	6.50	0.56	11.25	12.75	6	0.65	
3329	62	I	Disc	14.00x2.50	7.59	2.96	0.38	7.12	8.75	6	0.81	
3329X	62	I	Disc	14.00x2.50	7.59	2.96	0.38	7.12	8.75	6	0.81	
3333	74	O	Disc	15.00x4.00	7.38	4.34	0.56	9.00	11.25	10	1.25	
3333X	74	O	Disc	15.00x4.00	7.38	4.34	0.56	9.00	11.25	10	1.25	
3334	90	I	Spoke	16.00x6.00	8.60	6.68	0.50	11.25	12.75	5	0.65	
3334X	90	I	Spoke	16.00x6.00	8.60	6.68	0.50	11.25	12.75	5	0.65	
3337	85	O	Disc	15.00x5.00	7.74	7.12	0.62	10.67	13.18	10	1.28	
3337X	85	O	Disc	15.00x5.00	7.74	7.12	0.62	10.67	13.18	10	1.28	
3338 (o)	79	O	Disc	15.00x5.00	7.74	5.44	0.62	8.72	11.25	10	1.28	
3338X (o)	79	O	Disc	15.00x5.00	7.74	5.44	0.62	8.72	11.25	10	1.28	
3346	87	I	Disc	15.00x6.00	9.08	6.40	0.50	7.00	8.75	6	0.81	
3346A	87	I	Disc	15.00x6.00	9.08	6.40	0.50	7.00	8.75	10	0.78	

I – Inboard Mount
 O – Outboard Mount
 X – Balanced

(tp) – Patented TruPilot Feature
 (o) – OEM captive part number

Drum P/N	Drum Weight	Drum Mount	Wheel Type	Brake Size	Overall Depth	Width of Brake Surface	Backface Thickness	Pilot Dia.	Bolt Circle Dia.	Bolt Holes		Special Information
										No.	Size	
3346AX	87	I	Disc	15.00x6.00	9.08	6.40	0.50	7.00	8.75	10	0.78	
3346X	87	I	Disc	15.00x6.00	9.08	6.40	0.50	7.00	8.75	6	0.81	
3381	106	I	Spoke	16.50x6.00	8.78	6.81	0.50	9.75	11.25	5	0.65	
3381A	105	I	Disc	16.50x6.00	8.78	6.81	0.50	9.75	11.25	10	0.81	
3381AX	105	I	Disc	16.50x6.00	8.78	6.81	0.50	9.75	11.25	10	0.81	
3381X	106	I	Spoke	16.50x6.00	8.78	6.81	0.50	9.75	11.25	5	0.65	
3383	140	I	Disc	16.50x8.62	11.30	9.12	0.50	9.44	11.25	10	0.81	
3383X	140	I	Disc	16.50x8.62	11.30	9.12	0.50	9.44	11.25	10	0.81	
3392 (o)	104	I	Spoke	16.50x7.00	8.03	7.44	0.59	14.25	12.75	6	0.65	
3392X (o)	104	I	Spoke	16.50x7.00	8.03	7.44	0.59	14.25	12.75	6	0.65	
3393 (o)	106	I	Spoke	16.50x7.00	8.03	7.44	0.59	14.25	12.75	5	0.65	
3393A (o)	106	I	Spoke	16.50x7.00	8.03	7.44	0.59	14.25	12.75	5	0.78	
3393AX (o)	106	I	Spoke	16.50x7.00	8.03	7.44	0.59	14.25	12.75	5	0.78	
3393X (o)	106	I	Spoke	16.50x7.00	8.03	7.44	0.59	14.25	12.75	5	0.65	
3394 (o)	75	I	Spoke	15.00x6.00	7.00	6.46	0.51	13.25	12.00	5	0.65	
3394X (o)	75	I	Spoke	15.00x6.00	7.00	6.46	0.51	13.25	12.00	5	0.65	
3395 (o)	89	I	Spoke	16.50x6.00	7.06	6.47	0.59	14.25	12.75	5	0.65	
3395A (o)	87	I	Spoke	16.50x6.00	7.06	6.47	0.59	14.25	12.75	5	0.78	
3395AX (o)	87	I	Spoke	16.50x6.00	7.06	6.47	0.59	14.25	12.75	5	0.78	
3395B (o)	87	I	Spoke	16.50x6.00	7.06	6.47	0.59	14.25	12.75	6	0.65	
3395B (o)	87	I	Spoke	16.50x6.00	7.06	6.47	0.59	14.25	12.75	5	0.78	
3395BX (o)	87	I	Spoke	16.50x6.00	7.06	6.47	0.59	14.25	12.75	6	0.65	
3395BX (o)	87	I	Spoke	16.50x6.00	7.06	6.47	0.59	14.25	12.75	5	0.78	
3395X (o)	89	I	Spoke	16.50x6.00	7.06	6.47	0.59	14.25	12.75	5	0.65	
3396 (o)	91	I	Spoke	16.00x5.00	8.38	6.50	0.44	14.25	12.75	5	0.65	
3396X (o)	91	I	Spoke	16.00x5.00	8.38	6.50	0.44	14.25	12.75	5	0.65	
3397 (o)	82	I	Spoke	15.00x6.00	7.90	6.62	0.59	14.25	12.75	5	0.65	
3397X (o)	82	I	Spoke	15.00x6.00	7.90	6.62	0.59	14.25	12.75	5	0.65	
3398 (o)	86	I	Spoke	15.00x7.00	8.34	7.50	0.59	14.25	12.75	5	0.65	
3398X (o)	86	I	Spoke	15.00x7.00	8.34	7.50	0.59	14.25	12.75	5	0.65	
3401A	115	O	Disc	16.50x7.00	10.60	7.74	0.50	9.00	10.82	8	1.00	
3402	111	O	Disc	16.50x7.00	10.30	7.40	0.50	8.78	11.25	10	1.00	
3402A	111	O	Disc	16.50x7.00	10.30	7.40	0.50	9.00	10.82	8	1.00	
3402B	111	O	Disc	16.50x7.00	10.30	7.40	0.50	8.78	11.25	10	0.98	
3402BX	111	O	Disc	16.50x7.00	10.30	7.40	0.50	8.78	11.25	10	0.98	
3404 (o)	104	I	Disc	16.50x7.00	8.92	7.40	0.50	9.37	11.25	10	0.81	
3404X (o)	104	I	Disc	16.50x7.00	8.92	7.40	0.50	9.37	11.25	10	0.81	
3406	60	I	Disc	15.00x5.00	5.92	5.38	0.48	6.44	8.00	5	0.65	
3406X	60	I	Disc	15.00x5.00	5.92	5.38	0.48	6.44	8.00	5	0.65	
3407 (o)	75	O	Disc	15.00x4.00	8.87	4.48	0.50	9.00	11.25	10	1.25	
3407X (o)	75	O	Disc	15.00x4.00	8.87	4.48	0.50	9.00	11.25	10	1.25	
3408	91	I	Disc	15.00x7.00	9.91	7.62	0.56	9.50	11.25	10	0.81	
3408X	91	I	Disc	15.00x7.00	9.91	7.62	0.56	9.50	11.25	10	0.81	
3409	90	I	Disc	15.00x6.00	9.08	6.40	0.50	7.00	8.75	10	0.78	
3409A	90	I	Disc	15.00x6.00	9.08	6.40	0.50	7.00	8.75	6	0.81	
3409AX	90	I	Disc	15.00x6.00	9.08	6.40	0.50	7.00	8.75	6	0.81	
3409X	90	I	Disc	15.00x6.00	9.08	6.40	0.50	7.00	8.75	10	0.78	
3410	101	O	Disc	16.50x7.00	10.18	7.44	0.50	9.44	11.25	10	1.25	Furnished with set screw holes.
3410A	101	O	Disc	16.50x7.00	10.18	7.44	0.50	9.44	11.25	10	0.81	Furnished with set screw holes.

I – Inboard Mount
O – Outboard Mount
X – Balanced

(tp) – Patented TruPilot Feature
(o) – OEM captive part number

Active Part Numbers In Order by Part Number

Active Part Numbers In Order by Size

Obsolete Part Numbers In Order by Part Number

Drum P/N	Drum Weight	Drum Mount	Wheel Type	Brake Size	Overall Depth	Width of Brake Surface	Backface Thickness	Pilot Dia.	Bolt Circle Dia.	Bolt Holes		Special Information
										No.	Size	
3410AX	101	0	Disc	16.50x7.00	10.18	7.44	0.50	9.44	11.25	10	0.81	Furnished with set screw holes.
3410X	101	0	Disc	16.50x7.00	10.18	7.44	0.50	9.44	11.25	10	1.25	Furnished with set screw holes.
3411	72	0	Disc	15.00x4.00	8.02	4.32	0.50	9.00	11.25	10	1.28	
3411A	72	0	Disc	15.00x4.00	8.02	4.32	0.50	9.00	10.82	8	0.93	
3411AX	72	0	Disc	15.00x4.00	8.02	4.32	0.50	9.00	10.82	8	0.93	
3411X	72	0	Disc	15.00x4.00	8.02	4.32	0.50	9.00	11.25	10	1.28	
3412R	107	0	Disc	14.50x5.00	8.31	5.44	0.50	9.44	11.25	10	1.31	Furnished with set screw holes.
3413R	142	0	Disc	15.00x6.00	8.67	6.50	0.50	9.44	11.25	10	1.31	Furnished with set screw holes.
3414R	163	0	Disc	15.00x10.00	12.38	10.37	0.50	9.44	11.25	10	1.31	Furnished with set screw holes.
3415R	181	0	Disc	14.50x10.00	12.84	10.67	0.56	9.44	11.25	10	1.31	Furnished with set screw holes.
3416	128	0	Disc	16.50x7.00	10.38	7.70	0.50	8.53	11.25	10	0.81	
3416A	128	0	Disc	16.50x7.00	10.38	7.70	0.50	8.53	11.25	10	0.81	
3416AX	128	0	Disc	16.50x7.00	10.38	7.70	0.50	8.53	11.25	10	0.81	
3416X	128	0	Disc	16.50x7.00	10.38	7.70	0.50	8.53	11.25	10	0.81	
3417	45	I	Disc	14.00x2.50	7.00	3.00	0.32	7.12	8.75	6	0.81	
3417X	45	I	Disc	14.00x2.50	7.00	3.00	0.32	7.12	8.75	6	0.81	
3418	89	0	Disc	16.50x5.00	8.10	5.50	0.62	7.12	8.75	6	0.81	
3418X	89	0	Disc	16.50x5.00	8.10	5.50	0.62	7.12	8.75	6	0.81	
3419	91	I	Spoke	16.00x6.00	8.38	6.50	0.50	14.25	12.75	5	0.65	
3419X	91	I	Spoke	16.00x6.00	8.38	6.50	0.50	14.25	12.75	5	0.65	
3421	82	0	Disc	14.17x6.30	8.17	6.85	0.63	9.06	10.82	8	0.86	
3421X	82	0	Disc	14.17x6.30	8.17	6.85	0.63	9.06	10.82	8	0.86	
3422	52	I	Spoke	15.00x3.50	4.86	3.99	0.50	9.00	10.50	5	0.53	Requires clipped head drum bolts.
3422X	52	I	Spoke	15.00x3.50	4.86	3.99	0.50	9.00	10.50	5	0.53	Requires clipped head drum bolts.
3423	48	I	Spoke	15.00x3.00	4.10	3.41	0.44	8.99	10.50	5	0.53	Requires clipped head drum bolts.
3423X	48	I	Spoke	15.00x3.00	4.10	3.41	0.44	8.99	10.50	5	0.53	Requires clipped head drum bolts.
3424 (o)	107	I	Disc	16.50x7.00	8.50	7.31	0.56	8.66	11.25	10	0.81	
3424X (o)	107	I	Disc	16.50x7.00	8.50	7.31	0.56	8.66	11.25	10	0.81	
3425X (o)	94	0	Disc	15.00x6.00	8.80	6.55	0.56	8.72	11.25	10	1.28	
3435	108	I	Spoke	16.50x7.00	8.46	7.40	0.56	11.25	12.75	5/6	0.78	
3435X	108	I	Spoke	16.50x7.00	8.46	7.40	0.56	11.25	12.75	5/6	0.78	Serviced by 3295AX.
3436	59	I	Spoke	15.00x4.00	5.38	4.40	0.44	6.44	8.00	5	0.65	
3436X	59	I	Spoke	15.00x4.00	5.38	4.40	0.44	6.44	8.00	5	0.65	
3437	109	0	Disc	16.50x6.00	9.74	6.40	0.62	9.00	11.25	10	1.25	
3437A	109	0	Disc	16.50x6.00	9.74	6.40	0.62	9.00	11.25	10	0.81	
3437AX	109	0	Disc	16.50x6.00	9.74	6.40	0.62	9.00	11.25	10	0.81	
3437B	109	0	Disc	16.50x6.00	9.74	6.40	0.62	9.00	11.25	10	1.25	
3437BX	109	0	Disc	16.50x6.00	9.74	6.40	0.62	9.00	11.25	10	1.25	
3438	101	0	Disc	15.00x6.00	9.74	6.40	0.62	9.00	11.25	10	1.25	
3438X	101	0	Disc	15.00x6.00	9.74	6.40	0.62	9.00	11.25	10	1.25	
3439	66	I	Spoke	15.00x4.00	5.85	4.36	0.52	9.25	11.25	5	0.78	
3439A	66	I	Spoke	15.00x4.00	5.85	4.36	0.52	9.25	11.25	6	0.78	
3439AX	66	I	Spoke	15.00x4.00	5.85	4.36	0.52	9.25	11.25	6	0.78	
3439X	66	I	Spoke	15.00x4.00	5.85	4.36	0.52	9.25	11.25	5	0.78	
3441	112	0	Disc	16.50x7.00	10.31	7.69	0.50	9.00	11.25	10	0.87	
3444	92	I	Spoke	12.25x8.00	9.16	8.36	0.56	7.25	8.75	6	0.81	
3444X	92	I	Spoke	12.25x8.00	9.16	8.36	0.56	7.25	8.75	6	0.81	

I – Inboard Mount
O – Outboard Mount
X – Balanced

(tp) – Patented TruPilot Feature
(o) – OEM captive part number

Drum P/N	Drum Weight	Drum Mount	Wheel Type	Brake Size	Overall Depth	Width of Brake Surface	Backface Thickness	Pilot Dia.	Bolt Circle Dia.	Bolt Holes		Special Information
										No.	Size	
3445	74	I	Disc	15.00x3.00	8.22	3.78	0.38	9.50	11.25	10	0.81	
3445X	74	I	Disc	15.00x3.00	8.22	3.78	0.38	9.50	11.25	10	0.81	
3446	54	I	Disc	15.00x3.00	5.00	3.50	0.38	6.25	8.00	5	0.53	
3446X	54	I	Disc	15.00x3.00	5.00	3.50	0.38	6.25	8.00	5	0.53	
3447	81	I	Disc	15.00x5.00	7.34	5.44	0.44	7.12	8.75	6	0.81	
3447X	81	I	Disc	15.00x5.00	7.34	5.44	0.44	7.12	8.75	6	0.81	
3448	106	O	Disc	16.50x5.00	8.12	5.58	0.62	8.66	11.25	10	0.81	
3448X	106	O	Disc	16.50x5.00	8.12	5.58	0.62	8.66	11.25	10	0.81	
3450	101	O	Disc	15.00x6.00	9.88	6.34	0.50	7.00	8.75	10	0.73	
3450X	101	O	Disc	15.00x6.00	9.88	6.34	0.50	7.00	8.75	10	0.73	
3451	94	I	Disc	15.00x6.00	8.96	6.56	0.46	9.44	11.25	10	0.81	
3451X	94	I	Disc	15.00x6.00	8.96	6.56	0.46	9.44	11.25	10	0.81	
3452	79	I	Disc	15.00x5.00	7.40	5.50	0.44	9.44	11.25	10	0.81	
3452X	79	I	Disc	15.00x5.00	7.40	5.50	0.44	9.44	11.25	10	0.81	
3453	88	O	Disc	15.00x4.00	8.24	4.56	0.62	6.75	8.75	6	0.81	
3453X	88	O	Disc	15.00x4.00	8.24	4.56	0.62	6.75	8.75	6	0.81	
3454	86	O	Disc	15.00x4.00	8.56	4.56	0.44	8.75	11.25	10	0.81	
3454X	86	O	Disc	15.00x4.00	8.56	4.56	0.44	8.75	11.25	10	0.81	
3456	68	I	Disc	15.00x3.50	7.60	4.10	0.44	7.12	8.75	10	0.81	
3456X	68	I	Disc	15.00x3.50	7.60	4.10	0.44	7.12	8.75	10	0.81	
3467	95	I	Disc	12.25x7.50	9.10	8.00	0.52	7.00	8.25	6	0.65	
3467A	95	I	Disc	12.25x7.50	9.10	8.00	0.52	7.00	8.25	6	0.53	
3467AX	95	I	Disc	12.25x7.50	9.10	8.00	0.52	7.00	8.25	6	0.53	
3467BX	95	I	Disc	12.25x7.50	9.10	8.00	0.52	7.00	8.25	6	0.65	
3467X	95	I	Disc	12.25x7.50	9.10	8.00	0.52	7.00	8.25	6	0.65	
3472	79	O	Disc	16.06x4.50	8.90	5.12	0.46	9.06	10.82	8	0.81	Furnished with set screw holes.
3472X	79	O	Disc	16.06x4.50	8.90	5.12	0.46	9.06	10.82	8	0.81	Furnished with set screw holes.
3473	75	O	Disc	16.06x4.50	7.74	5.12	0.46	9.06	10.82	8	0.81	Furnished with set screw holes.
3473X	75	O	Disc	16.06x4.50	7.74	5.12	0.46	9.06	10.82	8	0.81	Furnished with set screw holes.
3474	153	O	Disc	16.50x10.00	13.12	10.36	0.50	9.44	11.25	10	1.25	Furnished with set screw holes.
3474X	153	O	Disc	16.50x10.00	13.12	10.36	0.50	9.44	11.25	10	1.25	Furnished with set screw holes.
3475A	168	O	Disc	16.50x10.00	13.34	10.50	0.46	8.78	11.25	10	0.94	Notched.
3475AX	168	O	Disc	16.50x10.00	13.34	10.50	0.46	8.78	11.25	10	0.94	Notched.
3475X	168	O	Disc	16.50x10.00	13.34	10.50	0.46	8.54	11.25	10	0.81	
3477	59	I	Disc	15.00x4.00	3.78	4.44	0.40	6.00	7.25	10	0.59	
3477X	59	I	Disc	15.00x4.00	3.78	4.44	0.40	6.00	7.25	10	0.59	
3478	57	I	Spoke	15.00x4.00	5.85	4.38	0.44	9.25	11.25	6	0.78	
3478A	57	I	Spoke	15.00x4.00	5.85	4.38	0.44	9.25	11.25	5	0.78	
3478AX	57	I	Spoke	15.00x4.00	5.85	4.38	0.44	9.25	11.25	5	0.78	
3478X	57	I	Spoke	15.00x4.00	5.85	4.38	0.44	9.25	11.25	6	0.78	
3480	77	O	Disc	15.00x4.00	8.91	4.40	0.62	9.00	11.25	10	1.25	
3480X	77	O	Disc	15.00x4.00	8.91	4.40	0.62	9.00	11.25	10	1.25	
3483	106	O	Disc	16.50x7.00	10.58	7.50	0.44	8.53	11.25	10	0.81	Use on ferrous hubs only.
3483X	106	O	Disc	16.50x7.00	10.58	7.50	0.44	8.53	11.25	10	0.81	Use on ferrous hubs only.
3484	53	I	Spoke	15.00x3.50	5.40	4.00	0.50	9.18	11.25	5	0.65	
3484X	53	I	Spoke	15.00x3.50	5.40	4.00	0.50	9.18	11.25	5	0.65	
3485	81	I	Spoke	15.00x7.00	8.52	7.44	0.56	10.50	12.75	5	0.78	
3485A	81	I	Spoke	15.00x7.00	8.52	7.44	0.56	10.50	12.75	6	0.78	
3485AX	81	I	Spoke	15.00x7.00	8.52	7.44	0.56	10.50	12.75	6	0.78	
3485BX	81	I	Spoke	15.00x7.00	8.52	7.44	0.56	10.50	12.75	5/6	0.78	

I – Inboard Mount
O – Outboard Mount
X – Balanced

(tp) – Patented TruPilot Feature
(o) – OEM captive part number

Active Part Numbers In Order by Part Number

Active Part Numbers In Order by Size

Obsolete Part Numbers In Order by Part Number

Drum P/N	Drum Weight	Drum Mount	Wheel Type	Brake Size	Overall Depth	Width of Brake Surface	Backface Thickness	Pilot Dia.	Bolt Circle Dia.	Bolt Holes		Special Information
										No.	Size	
3485X	81	I	Spoke	15.00x7.00	8.52	7.44	0.56	10.50	12.75	5	0.78	
3486	105	I	Spoke	16.50x7.00	8.03	7.44	0.56	14.25	12.75	6	0.65	
3486X	105	I	Spoke	16.50x7.00	8.03	7.44	0.59	14.25	12.75	6	0.65	
3487	88	O	Disc	15.00x6.00	9.46	6.46	0.59	7.00	8.75	10	0.73	
3487X	88	O	Disc	15.00x6.00	9.46	6.46	0.51	7.00	8.75	10	0.73	
3488	216	I	Spoke	20.25x8.00	10.88	8.12	0.51	13.62	16.00	8	0.87	
3488X	216	I	Spoke	20.25x8.00	10.88	8.12	0.81	13.62	16.00	8	0.87	
3489	106	O	Disc	16.50x7.00	10.30	7.44	0.81	8.53	11.25	10	0.81	Furnished with set screw holes.
3489X	106	O	Disc	16.50x7.00	10.30	7.44	0.56	8.53	11.25	10	0.81	Furnished with set screw holes.
3490	111	O	Disc	16.50x7.00	10.44	7.56	0.56	8.65	11.25	10	0.81	Furnished with set screw holes.
3490X	111	O	Disc	16.50x7.00	10.44	7.56	0.56	8.65	11.25	10	0.81	Furnished with set screw holes.
3498X (o)	148	I	Disc	18.00x7.00	8.24	7.50	0.50	11.00	12.75	6	0.64	
3506	85	O	Disc	15.00x4.00	8.79	4.40	0.50	9.00	10.82	8	1.00	
3506X	85	O	Disc	15.00x4.00	8.79	4.40	0.50	9.00	10.82	8	1.00	
3508	63	I	Disc	15.00x3.50	7.57	4.06	0.44	9.50	11.25	10	0.81	
3508X	63	I	Disc	15.00x3.50	7.57	4.06	0.44	9.50	11.25	10	0.81	
3510X (o)	92	O	Disc	15.00x6.00	8.80	8.12	0.56	10.67	13.18	10	1.28	
3512	125	O	Disc	15.00x6.00	9.81	6.50	0.62	9.00	11.25	10	1.25	
3512X	125	O	Disc	15.00x6.00	9.81	6.50	0.62	9.00	11.25	10	1.25	
3513	121	O	Disc	16.50x6.00	9.78	6.31	0.62	9.00	11.25	10	1.25	
3513X	121	O	Disc	16.50x6.00	9.78	6.31	0.62	9.00	11.25	10	1.25	
3514	103	I	Spoke	15.00x7.00	8.34	7.56	0.59	14.25	12.75	5	0.65	
3514X	103	I	Spoke	15.00x7.00	8.34	7.56	0.59	14.25	12.75	5	0.65	
3521	75	O	Disc	15.00x4.00	7.84	4.44	0.50	8.66	11.25	10	1.25	
3521X	75	O	Disc	15.00x4.00	7.84	4.44	0.50	8.66	11.25	10	1.25	
3524	56	I	Disc	15.00x3.50	6.54	4.00	0.44	9.44	11.25	10	1.25	
3524X	56	I	Disc	15.00x3.50	6.54	4.00	0.44	9.44	11.25	10	1.25	
3532 (o)	87	I	Spoke	15.00x6.00	7.47	6.50	0.56	11.25	12.75	6	0.65	
3532X (o)	87	I	Spoke	15.00x6.00	7.47	6.50	0.56	11.25	12.75	6	0.65	
3533 (o)	104	I	Spoke	17.00x6.00	7.38	6.50	0.56	11.25	12.75	6	0.65	
3533X (o)	104	I	Spoke	17.00x6.00	7.38	6.50	0.56	11.25	12.75	6	0.65	
3535	76	O	Disc	15.50x5.00	7.76	5.38	0.62	11.18	13.18	10	1.04	Furnished with set screw holes.
3535X	76	O	Disc	15.50x5.00	7.76	5.38	0.62	11.18	13.18	10	1.04	Furnished with set screw holes.
3537	91	O	Disc	15.50x6.00	9.20	6.24	0.66	11.05	13.18	10	1.04	Furnished with set screw holes.
3537X	91	O	Disc	15.50x6.00	9.20	6.24	0.66	11.05	13.18	10	1.04	Furnished with set screw holes.
3543	112	O	Disc	16.50x7.00	10.38	7.44	0.50	8.53	11.25	10	0.81	
3543X	112	O	Disc	16.50x7.00	10.38	7.44	0.50	8.53	11.25	10	0.81	
3544	112	I	Spoke	16.50x7.00	9.00	7.60	0.56	11.25	12.75	6	0.65	
3544X	112	I	Spoke	16.50x7.00	9.00	7.60	0.56	11.25	12.75	6	0.65	
3552 (o)	60	I	Spoke	15.00x4.00	5.54	4.44	0.50	9.18	11.25	6	0.78	
3552A (o)	60	I	Spoke	15.00x4.00	5.54	4.44	0.50	9.18	11.25	5	0.78	
3552AX (o)	60	I	Spoke	15.00x4.00	5.54	4.44	0.50	9.18	11.25	5	0.78	
3552B (o)	60	I	Spoke	15.00x4.00	5.54	4.44	0.50	9.18	11.25	10	0.78	
3552BX (o)	60	I	Spoke	15.00x4.00	5.54	4.44	0.50	9.18	11.25	10	0.78	
3552X (o)	60	I	Spoke	15.00x4.00	5.54	4.44	0.50	9.18	11.25	6	0.78	
3553 (o)	71	I	Spoke	16.50x5.00	6.28	5.44	0.50	9.18	11.25	6	0.78	
3553A (o)	71	I	Spoke	16.50x5.00	6.28	5.44	0.50	9.18	11.25	5	0.78	

I – Inboard Mount
O – Outboard Mount
X – Balanced

(tp) – Patented TruPilot Feature
(o) – OEM captive part number

Drum P/N	Drum Weight	Drum Mount	Wheel Type	Brake Size	Overall Depth	Width of Brake Surface	Backface Thickness	Pilot Dia.	Bolt Circle Dia.	Bolt Holes		Special Information
										No.	Size	
3553AX (o)	71	I	Spoke	16.50x5.00	6.28	5.44	0.50	9.18	11.25	5	0.78	
3553B (o)	71	I	Spoke	16.50x5.00	6.28	5.44	0.50	9.18	11.25	5/6	0.78	
3553BX (o)	71	I	Spoke	16.50x5.00	6.28	5.44	0.50	9.18	11.25	5/6	0.78	
3553X (o)	71	I	Spoke	16.50x5.00	6.28	5.44	0.50	9.18	11.25	6	0.78	
3556	132	I	Spoke	16.50x7.00	8.38	7.60	0.56	9.44	11.00	6	0.65	Severe duty version of 2983C.
3556	132	I	Spoke	16.50x7.00	8.38	7.60	0.56	9.44	11.00	5	0.78	Severe duty version of 2983C.
3556X	132	I	Spoke	16.50x7.00	8.38	7.60	0.56	9.44	11.00	6	0.65	Severe duty version of 2983CX.
3556X	132	I	Spoke	16.50x7.00	8.38	7.60	0.56	9.44	11.00	5	0.78	Severe duty version of 2983CX.
3557AX	84	I	Disc	12.25x7.50	10.47	8.24	0.50	7.12	8.75	6	0.81	For 15 inch disc wheel hubs.
3557X	84	I	Disc	12.25x7.50	10.47	8.24	0.50	7.12	8.75	10	0.81	For 15 inch disc wheel hubs.
3560A	122	I	Spoke	16.50x7.00	8.38	7.60	0.56	9.44	11.00	5	0.78	
3560A	122	I	Spoke	16.50x7.00	8.38	7.60	0.56	9.44	11.00	6	0.65	
3560AX	122	I	Spoke	16.50x7.00	8.38	7.60	0.56	9.44	11.00	5	0.78	
3560AX	122	I	Spoke	16.50x7.00	8.38	7.60	0.56	9.44	11.00	6	0.65	
3564A	122	I	Spoke/Disc	16.50x7.00	8.74	7.50	0.69	9.50	11.25	10	0.81	Severe duty version of 3018A.
3564AX	122	I	Spoke/Disc	16.50x7.00	8.74	7.50	0.69	9.50	11.25	10	0.81	Severe duty version of 3018AX.
3568 (o)	112	O	Disc	16.50x7.00	10.54	7.60	0.50	8.78	11.25	10	1.00	
3568A (o)	112	O	Disc	16.50x7.00	10.54	7.60	0.50	8.78	11.25	10	1.00	With brake surface wear indicator.
3568AX (o)	112	O	Disc	16.50x7.00	10.54	7.60	0.50	8.78	11.25	10	1.00	With brake surface wear indicator.
3568X (o)	112	O	Disc	16.50x7.00	10.54	7.60	0.50	8.78	11.25	10	1.00	
3569X (o)	79	O	Disc	15.00x4.00	8.87	4.48	0.50	8.78	11.25	10	1.25	
3570 (o)	112	O	Disc	16.50x7.00	10.54	7.46	0.50	8.78	11.25	10	1.25	
3570A (o)	112	O	Disc	16.50x7.00	10.54	7.46	0.50	8.78	11.25	10	1.25	
3570AX (o)	112	O	Disc	16.50x7.00	10.54	7.46	0.50	8.78	11.25	10	1.00	
3570X (o)	112	O	Disc	16.50x7.00	10.54	7.46	0.50	8.78	11.25	10	1.25	
3574	80	O	Disc	15.00x4.00	9.18	4.41	0.50	8.53	11.25	10	1.25	
3574A	80	O	Disc	15.00x4.00	9.18	4.41	0.50	8.78	11.25	10	1.00	
3574AX	80	O	Disc	15.00x4.00	9.18	4.41	0.50	8.78	11.25	10	1.00	
3574B	80	O	Disc	15.00x4.00	9.18	4.41	0.50	8.78	11.25	10	1.25	
3574BX	80	O	Disc	15.00x4.00	9.18	4.41	0.50	8.78	11.25	10	1.25	
3575	79	O	Disc	15.00x4.00	8.79	4.40	0.50	8.78	11.25	10	1.25	
3575X	79	O	Disc	15.00x4.00	8.79	4.40	0.50	8.78	11.25	10	1.25	
3576A	131	O	Disc	16.50x7.00	10.54	7.60	0.50	8.78	11.25	10	1.25	
3576AX	131	O	Disc	16.50x7.00	10.54	7.60	0.50	8.78	11.25	10	1.25	
3578	116	O	Disc	16.50x7.00	10.59	7.75	0.50	9.00	11.25	10	0.81	Severe duty version of 3141.
3578X	116	O	Disc	16.50x7.00	10.59	7.75	0.50	9.00	11.25	10	0.81	Severe duty version of 3141X.
3580	118	I	Spoke	16.50x7.00	8.74	7.50	0.69	9.50	11.25	5	0.81	
3580A	118	I	Spoke	16.50x7.00	8.74	7.50	0.69	9.50	11.25	10	0.81	
3580AX	118	I	Spoke	16.50x7.00	8.74	7.50	0.69	9.50	11.25	10	0.81	
3580X	118	I	Spoke	16.50x7.00	8.74	7.50	0.69	9.50	11.25	5	0.81	
3593	112	O	Disc	16.50x7.00	10.54	7.60	0.25	8.78	11.25	10	1.00	
3593X	112	O	Disc	16.50x7.00	10.54	7.60	0.50	8.78	11.25	10	1.00	
3595	98	O	Disc	16.50x5.00	8.02	5.40	0.50	8.78	11.25	10	1.25	
3595A	98	O	Disc	16.50x5.00	8.02	5.40	0.50	8.78	11.25	10	1.00	

I – Inboard Mount
O – Outboard Mount
X – Balanced

(tp) – Patented TruPilot Feature
(o) – OEM captive part number

Active Part Numbers In Order by Part Number

Active Part Numbers In Order by Size

Obsolete Part Numbers In Order by Part Number

Drum P/N	Drum Weight	Drum Mount	Wheel Type	Brake Size	Overall Depth	Width of Brake Surface	Backface Thickness	Pilot Dia.	Bolt Circle Dia.	Bolt Holes		Special Information
										No.	Size	
3596	79	O	Disc	15.00x4.00	8.65	4.40	0.50	8.78	11.25	10	1.25	
3596A	79	O	Disc	15.00x4.00	8.65	4.40	0.50	9.00	10.82	8	1.00	
3596AX	79	O	Disc	15.00x4.00	8.65	4.40	0.50	9.00	10.82	8	1.00	
3596B	79	O	Disc	15.00x4.00	8.65	4.40	0.50	8.78	11.25	10	1.00	
3596C	79	O	Disc	15.00x4.00	8.65	4.52	0.50	8.78	11.25	10	1.25	
3596CX	79	O	Disc	15.00x4.00	8.65	4.52	0.50	8.78	11.25	10	1.25	
3597	84	O	Disc	15.00x5.00	9.31	5.40	0.50	8.78	11.25	10	1.25	
3597A	84	O	Disc	15.00x5.00	9.31	5.40	0.50	9.00	10.82	8	1.00	
3597AX	84	O	Disc	15.00x5.00	9.31	5.40	0.50	9.00	10.82	8	1.00	
3597B	84	O	Disc	15.00x5.00	9.31	5.40	0.50	8.78	11.25	10	1.00	
3597BX	84	O	Disc	15.00x5.00	9.31	5.40	0.50	8.78	11.25	10	1.00	
3597X	84	O	Disc	15.00x5.00	9.31	5.40	0.50	8.78	11.25	10	1.25	
3598	96	O	Disc	16.50x5.00	9.34	5.40	0.50	8.78	11.25	10	1.25	
3598A	96	O	Disc	16.50x5.00	9.34	5.40	0.50	9.00	10.82	8	1.00	
3598AX	96	O	Disc	16.50x5.00	9.34	5.40	0.50	9.00	10.82	8	1.00	
3598B	96	O	Disc	16.50x5.00	9.34	5.40	0.50	8.78	11.25	10	1.00	
3600	112	O	Disc	16.50x7.00	10.56	7.60	0.53	8.78	11.25	10	1.25	
3600B	112	O	Disc	16.50x7.00	10.56	7.60	0.53	8.78	11.25	10	1.00	With brake surface wear indicator.
3600BX	112	O	Disc	16.50x7.00	10.56	7.60	0.53	8.78	11.25	10	1.00	With brake surface wear indicator.
3600X	112	O	Disc	16.50x7.00	10.56	7.60	0.53	8.78	11.25	10	1.25	
3601	92	O	Disc	15.00x6.00	9.46	6.46	0.51	7.00	8.75	10	0.73	
3601X	92	O	Disc	15.00x6.00	9.46	6.46	0.51	7.00	8.75	10	0.73	
3602	72	O	Disc	15.00x5.00	8.16	5.50	0.50	7.00	8.75	10	0.73	
3602X	72	O	Disc	15.00x5.00	8.16	5.50	0.50	7.00	8.75	10	0.73	
3603	101	I	Disc	15.00x7.00	9.30	7.50	0.52	9.37	11.25	10	0.81	
3603X	101	I	Disc	15.00x7.00	9.30	7.50	0.52	9.37	11.25	10	0.81	
3604	76	I	Spoke	15.00x5.00	6.68	5.40	0.56	10.00	12.75	6	0.78	
3604X	76	I	Spoke	15.00x5.00	6.68	5.40	0.56	10.00	12.75	6	0.78	
3605	87	I	Disc	16.50x5.00	7.88	5.35	0.56	9.50	11.25	10	0.81	
3605X	87	I	Disc	16.50x5.00	7.88	5.35	0.56	9.50	11.25	10	0.81	
3607	60	I	Spoke	16.50x4.00	5.93	4.87	0.43	11.00	12.75	6	0.65	
3607X	60	I	Spoke	16.50x4.00	5.93	4.87	0.43	11.00	12.75	6	0.65	
3608	87	O	Disc	15.00x4.00	9.25	5.65	0.62	8.53	11.25	10	1.25	
3608X	87	O	Disc	15.00x4.00	9.25	5.65	0.62	8.53	11.25	10	1.25	
3609	71	I	Spoke	16.50x5.00	5.75	5.28	0.37	11.00	12.75	6	0.65	
3609X	71	I	Spoke	16.50x5.00	5.75	5.28	0.37	11.00	12.75	6	0.65	
3610	82	I	Disc	15.00x4.00	7.84	4.40	0.56	9.44	11.25	10	0.78	
3610X	82	I	Disc	15.00x4.00	7.84	4.40	0.56	9.44	11.25	10	0.78	
3611	138	I	Spoke	17.25x7.00	8.38	7.62	0.56	11.00	12.75	6	0.64	
3611X	138	I	Spoke	17.25x7.00	8.38	7.62	0.56	11.00	12.75	6	0.64	
3612	96	I	Disc	16.50x5.00	7.86	5.39	0.80	9.00	11.25	10	1.25	
3612X	96	I	Disc	16.50x5.00	7.86	5.39	0.80	9.00	11.25	10	1.25	
3613	104	I	Spoke	17.00x6.00	7.38	6.50	0.56	11.25	12.75	6	0.65	Equally spaced exciter ring mounting.
3613X	104	I	Spoke	17.00x6.00	7.38	6.50	0.56	11.25	12.75	6	0.65	Equally spaced exciter ring mounting.
3614	78	I	Spoke	17.25x5.00	6.44	5.84	0.38	11.00	12.75	6	0.64	
3614X	78	I	Spoke	17.25x5.00	6.44	5.84	0.38	11.00	12.75	6	0.64	
3615	69	I	Disc	15.00x4.00	5.12	4.40	0.56	9.00	11.25	10	0.81	
3615X	69	I	Disc	15.00x4.00	5.12	4.40	0.56	9.00	11.25	10	0.81	
3616	207	I	Disc	20.25x7.00	10.28	7.50	0.81	12.75	15.00	8	0.76	
3616X	207	I	Disc	20.25x7.00	10.28	7.50	0.81	12.75	15.00	8	0.76	
3617	83	O	Disc	16.00x5.00	9.38	5.44	0.50	7.00	8.75	10	0.73	

I – Inboard Mount
O – Outboard Mount
X – Balanced

(tp) – Patented TruPilot Feature
(o) – OEM captive part number

Drum P/N	Drum Weight	Drum Mount	Wheel Type	Brake Size	Overall Depth	Width of Brake Surface	Backface Thickness	Pilot Dia.	Bolt Circle Dia.	Bolt Holes		Special Information
										No.	Size	
3617X	83	0	Disc	16.00x5.00	9.38	5.44	0.50	7.00	8.75	10	0.73	
3618X	104	I	Disc	16.50x7.00	8.92	7.40	0.50	9.37	11.25	10	0.81	
3620	151	I	Disc	18.00x7.00	8.74	7.44	0.56	8.66	11.25	10	0.81	
3620X	151	I	Disc	18.00x7.00	8.74	7.44	0.56	8.66	11.25	10	0.81	
3623	92	0	Disc	15.00x4.00	9.00	5.66	0.62	9.00	11.25	10	1.25	
3623X	92	0	Disc	15.00x4.00	9.00	5.66	0.62	9.00	11.25	10	1.25	
3626X	77	0	Disc	16.50x5.00	8.58	5.87	0.00	8.78	11.25	10	1.25	
3630 (o)	101	0	Disc	16.50x5.00	9.16	5.44	0.62	8.78	11.25	10	1.25	Serviced by 3710X.
3630X (o)	101	0	Disc	16.50x5.00	9.16	5.44	0.62	8.78	11.25	10	1.25	Serviced by 3710X.
3631 (o)	89	0	Disc	15.00x4.00	8.91	4.44	0.62	8.78	11.25	10	1.25	
3631X (o)	89	0	Disc	15.00x4.00	8.91	4.44	0.62	8.78	11.25	10	1.25	
3638 (o)	68	0	Disc	15.00x4.00	7.84	4.44	0.50	8.66	11.25	10	1.25	
3638A (o)	68	0	Disc	15.00x4.00	7.84	4.44	0.50	8.78	11.25	10	1.25	
3638AX (o)	68	0	Disc	15.00x4.00	7.84	4.44	0.50	8.78	11.25	10	1.25	
3638X (o)	68	0	Disc	15.00x4.00	7.84	4.44	0.50	8.66	11.25	10	1.25	
3639 (o)	84	0	Disc	16.50x5.00	8.58	5.48	0.50	8.66	11.25	10	1.25	
3639A (o)	84	0	Disc	16.50x5.00	8.58	5.48	0.50	8.78	11.25	10	1.25	
3639AX (o)	84	0	Disc	16.50x5.00	8.58	5.48	0.50	8.78	11.25	10	1.25	
3639X (o)	84	0	Disc	16.50x5.00	8.58	5.48	0.50	8.66	11.25	10	1.25	
3642	87	0	Disc	16.50x7.00	10.30	7.45	0.25	8.78	11.25	10	1.00	
3642X	87	0	Disc	16.50x7.00	10.30	7.45	0.25	8.78	11.25	10	1.00	
3645	68	0	Disc	15.00x4.00	8.47	4.66	0.50	8.99	10.82	8	1.00	
3645X	68	0	Disc	15.00x4.00	8.47	4.66	0.50	8.99	10.82	8	1.00	
3646	77	0	Disc	15.00x4.00	8.53	7.83	0.56	11.25	13.18	10	1.00	
3646X	77	0	Disc	15.00x4.00	8.53	7.83	0.56	11.25	13.18	10	1.00	
3647 (o)	114	0	Disc	16.50x7.00	11.18	7.44	0.50	8.78	11.25	10	1.00	
3649	43	0	Disc	325mmx120mm	6.20	5.16	0.50	10.03	11.02	6	0.51	With (4) M12x1.25-6H holes.
3649X	43	0	Disc	325mmx120mm	6.20	5.16	0.50	10.03	11.02	6	0.51	With (4) M12x1.25-6H holes.
3655	36	0	Disc	325mmx100mm	5.31	4.25	0.50	10.03	11.02	6	0.51	With (4) M12x1.25-6H holes.
3655X	36	0	Disc	325mmx100mm	5.31	4.25	0.50	10.03	11.02	6	0.51	With (4) M12x1.25-6H holes.
3659 (o)	110	0	Disc	15.00x6.00	9.81	6.50	0.62	8.78	11.25	10	1.25	
3659X (o)	110	0	Disc	15.00x6.00	9.81	6.50	0.62	8.78	11.25	10	1.25	
3660 (o)	121	0	Disc	16.50x6.00	9.78	6.31	0.62	8.78	11.25	10	1.25	
3660X (o)	121	0	Disc	16.50x6.00	9.78	6.31	0.62	8.78	11.25	10	1.25	
3661 (o)	95	0	Disc	15.00x5.00	9.16	5.56	0.62	8.78	11.25	10	1.25	
3661X (o)	95	0	Disc	15.00x5.00	9.16	5.56	0.62	8.78	11.25	10	1.25	
3663 (o)	113	0	Disc	16.50x7.00	10.54	7.46	0.50	8.78	11.25	10	1.25	
3663X (o)	113	0	Disc	16.50x7.00	10.54	7.46	0.50	8.78	11.25	10	1.25	
3665	104	0	Disc	16.50x7.00	10.38	7.50	0.50	8.99	10.82	8	1.00	
3665X	104	0	Disc	16.50x7.00	10.38	7.50	0.50	8.99	10.82	8	1.00	
3666	95	0	Disc	15.00x5.00	9.16	5.56	0.62	9.00	11.25	10	1.25	
3666X	95	0	Disc	15.00x5.00	9.16	5.56	0.62	9.00	11.25	10	1.25	
3667	75	0	Disc	15.00x4.00	8.74	4.73	0.50	9.00	11.25	10	0.81	
3667A	75	0	Disc	15.00x4.00	8.74	4.73	0.50	8.78	11.25	10	0.81	
3667AX	75	0	Disc	15.00x4.00	8.74	4.73	0.50	8.78	11.25	10	0.81	
3667X	75	0	Disc	15.00x4.00	8.74	4.73	0.50	9.00	11.25	10	0.81	
3668 (o)	112	0	Disc	16.50x7.00	10.54	7.60	0.50	8.78	11.25	10	1.00	
3668X (o)	112	0	Disc	16.50x7.00	10.54	7.60	0.50	8.78	11.25	10	1.00	
3669	53	I	Spoke	15.00x4.00	5.36	4.67	0.44	9.25	11.25	5	0.78	

I – Inboard Mount (tp) – Patented TruPilot Feature
O – Outboard Mount (o) – OEM captive part number
X – Balanced

Active Part Numbers In Order by Part Number

Active Part Numbers In Order by Size

Obsolete Part Numbers In Order by Part Number

Drum P/N	Drum Weight	Drum Mount	Wheel Type	Brake Size	Overall Depth	Width of Brake Surface	Backface Thickness	Pilot Dia.	Bolt Circle Dia.	Bolt Holes		Special Information
										No.	Size	
3672	79	O	Disc	15.00x5.00	6.20	5.28	0.50	8.65	11.25	10	0.93	
3672X	79	O	Disc	15.00x5.00	6.20	5.28	0.50	8.65	11.25	10	0.93	
3674	68	O	Disc	15.00x4.00	7.84	4.44	0.50	8.65	11.25	10	1.25	
3674A	68	O	Disc	15.00x4.00	7.84	4.44	0.50	8.78	11.25	10	1.25	
3674AX	68	O	Disc	15.00x4.00	7.84	4.44	0.50	8.78	11.25	10	1.25	
3674X	68	O	Disc	15.00x4.00	7.84	4.44	0.50	8.65	11.25	10	1.25	
3675	89	O	Disc	15.00x4.00	8.91	4.44	0.62	8.78	11.25	10	1.25	
3675X	89	O	Disc	15.00x4.00	8.91	4.44	0.62	8.78	11.25	10	1.25	
3676	84	O	Disc	16.50x5.00	8.58	5.48	0.50	8.65	11.25	10	1.25	
3676A	84	O	Disc	16.50x5.00	8.58	5.48	0.50	8.78	11.25	10	1.25	
3676X	84	O	Disc	16.50x5.00	8.58	5.48	0.50	8.65	11.25	10	1.25	
3677	101	O	Disc	16.50x5.00	9.16	5.44	0.62	8.78	11.25	10	1.28	Serviced by 3710X.
3677X	101	O	Disc	16.50x5.00	9.16	5.44	0.62	8.78	11.25	10	1.28	Serviced by 3710X.
3678	87	I	Spoke	16.50x6.00	7.03	6.44	0.50	14.25	12.75	5	0.78	
3678	87	I	Spoke	16.50x6.00	7.03	6.44	0.50	14.25	12.75	6	0.65	
3678A	89	I	Spoke	16.50x6.00	7.03	6.44	0.50	14.25	12.75	5/6	0.65	
3678AX	89	I	Spoke	16.50x6.00	7.03	6.44	0.50	14.25	12.75	5/6	0.65	
3678X	87	I	Spoke	16.50x6.00	7.03	6.44	0.50	14.25	12.75	6	0.65	
3678X	87	I	Spoke	16.50x6.00	7.03	6.44	0.50	14.25	12.75	5	0.78	
3679 (o)	39	I	Spoke	15.00x3.00	4.28	3.72	0.37	11.37	12.75	5	0.64	
3679X (o)	39	I	Spoke	15.00x3.00	4.28	3.72	0.37	11.37	12.75	5	0.64	
3680	37	I	Spoke	16.00x2.50	3.97	2.75	0.38	11.37	12.75	5	0.64	Labyrinth seal.
3680X	37	I	Spoke	16.00x2.50	3.97	2.75	0.38	11.37	12.75	5	0.64	Labyrinth seal.
3681	92	I	Spoke	16.50x5.00	6.91	5.38	0.56	11.25	12.75	6	0.78	
3681X	92	I	Spoke	16.50x5.00	6.91	5.38	0.56	11.25	12.75	6	0.78	
3682	88	O	Disc	15.00x7.00	10.59	7.50	0.50	8.98	10.82	8	1.00	
3682X	88	O	Disc	15.00x7.00	10.59	7.50	0.50	8.98	10.82	8	1.00	
3686	100	O	Disc	15.00x6.00	9.74	6.40	0.62	8.78	11.25	10	1.25	
3686X	100	O	Disc	15.00x6.00	9.74	6.40	0.62	8.78	11.25	10	1.25	
3687	108	O	Disc	16.50x6.00	9.74	6.52	0.62	8.78	11.25	10	1.25	
3688 (o)	15	Drive Line	Drive Line	9.50x3.25	3.25	3.25	0.38	7.62	6.87	6	0.37	Drive line parking brake drum.
3688X (o)	15	Drive Line	Drive Line	9.50x3.25	3.25	3.25	0.38	7.62	6.87	6	0.37	Drive line parking brake drum.
3689 (o)	19	Drive Line	Drive Line	9.50x3.25	3.25	3.25	0.38	6.37	5.75	6	0.37	Drive line parking brake drum.
3689X (o)	19	Drive Line	Drive Line	9.50x3.25	3.25	3.25	0.38	6.37	5.75	6	0.37	Drive line parking brake drum.
3692 (o)	42	I	Disc	16.00x2.25	5.38	2.65	0.38	7.50	9.00	5	0.51	Labyrinth seal.
3692X (o)	42	I	Disc	16.00x2.25	5.38	2.65	0.38	7.50	9.00	5	0.51	Labyrinth seal.
3693 (o)	29	I	Spoke	14.00x2.50	3.31	2.88	0.37	11.37	10.50	5	0.53	
3693A (o)	29	I	Spoke	14.00x2.50	3.31	2.88	0.37	11.37	10.50	5/6	0.53	
3693AX (o)	29	I	Spoke	14.00x2.50	3.31	2.88	0.37	11.37	10.50	5/6	0.53	
3693X (o)	29	I	Spoke	14.00x2.50	3.31	2.88	0.37	11.37	10.50	5	0.53	
3694 (o)	29	I	Spoke	14.00x2.50	3.31	2.88	0.37	11.37	10.50	6	0.53	
3694X (o)	29	I	Spoke	14.00x2.50	3.31	2.88	0.37	11.37	10.50	6	0.53	
3695 (o)	11	Drive Line	Drive Line	8.00x2.62	2.62	2.62	0.37	6.37	5.75	4	0.37	Drive line parking brake drum.
3695X (o)	11	Drive Line	Drive Line	8.00x2.62	2.62	2.62	0.31	6.37	5.75	4	0.37	Drive line parking brake drum.
3696 (o)	35	I	Spoke	16.00x2.50	3.28	2.60	0.31	12.00	11.00	6	0.51	Labyrinth seal.
3696X (o)	35	I	Spoke	16.00x2.50	3.28	2.60	0.37	12.00	11.00	6	0.51	Labyrinth seal.
3698 (o)	36	I	Disc	14.00x2.50	7.56	2.96	0.37	6.43	8.00	5	0.81	
3698X (o)	36	I	Disc	14.00x2.50	7.56	2.96	0.31	6.43	8.00	5	0.81	
3699A	128	O	Disc	16.50x7.00	10.38	7.70	0.53	8.53	11.25	10	0.81	For use on aluminum disc wheel hubs only.

I – Inboard Mount
O – Outboard Mount
X – Balanced
(tp) – Patented TruPilot Feature
(o) – OEM captive part number

Drum P/N	Drum Weight	Drum Mount	Wheel Type	Brake Size	Overall Depth	Width of Brake Surface	Backface Thickness	Pilot Dia.	Bolt Circle Dia.	Bolt Holes		Special Information
										No.	Size	
3699AX	128	O	Disc	16.50x7.00	10.38	7.70	0.53	8.53	11.25	10	0.81	For use on aluminum disc wheel hubs only.
3700	128	O	Disc	16.50x8.00	10.94	8.56	0.50	8.53	11.25	10	0.81	
3700X	128	O	Disc	16.50x8.00	10.94	8.56	0.50	8.53	11.25	10	0.81	
3702 (o)	67	I	Disc	15.00x3.50	7.57	4.06	0.44	7.12	8.75	10	0.81	
3702X (o)	67	I	Disc	15.00x3.50	7.57	4.06	0.44	7.12	8.75	10	0.81	
3704 (o)	59	O	Disc	15.00x5.00	7.04	5.51	0.41	9.37	11.25	10	1.25	
3704X (o)	59	O	Disc	15.00x5.00	7.04	5.51	0.41	9.37	11.25	10	1.25	
3705	18	O	Disc	16.50x7.00	10.74	7.52	0.59	9.44	11.25	10	0.84	
3705X	18	O	Disc	16.50x7.00	10.74	7.52	0.59	9.44	11.25	10	0.84	
3706 (o)	73	I	Spoke	16.50x5.00	6.28	5.44	0.50	9.18	11.25	5	0.65	
3706A (o)	73	I	Spoke	16.50x5.00	6.28	5.44	0.50	9.18	11.25	5/6	0.65	
3706AX (o)	73	I	Spoke	16.50x5.00	6.28	5.44	0.50	9.18	11.25	5/6	0.65	
3706X (o)	73	I	Spoke	16.50x5.00	6.28	5.44	0.50	9.18	11.25	5	0.65	
3707 (o)	73	I	Spoke	16.50x5.00	6.28	5.44	0.50	9.18	11.25	6	0.65	
3707X (o)	73	I	Spoke	16.50x5.00	6.28	5.44	0.50	9.18	11.25	6	0.65	
3708 (o)	29	I	Disc	14.00x2.50	3.81	2.95	0.31	5.12	6.50	6	0.52	
3708X (o)	29	I	Disc	14.00x2.50	3.81	2.95	0.31	5.12	6.50	6	0.52	
3709 (o)	61	I	Disc	15.00x3.50	6.67	4.06	0.44	7.12	8.75	5	0.81	
3709X (o)	61	I	Disc	15.00x3.50	6.67	4.06	0.44	7.12	8.75	5	0.81	
3710	96	O	Disc	16.50x5.00	9.04	5.38	0.50	8.78	11.25	10	1.25	Serviced by 3710X.
3710A	96	O	Disc	16.50x5.00	9.04	5.38	0.50	8.78	11.25	10	1.25	
3710AX	96	O	Disc	16.50x5.00	9.04	5.38	0.50	8.78	11.25	10	1.25	
3710B	96	O	Disc	16.50x5.00	9.04	5.38	0.50	9.00	10.82	8	1.00	
3710BX	96	O	Disc	16.50x5.00	9.04	5.38	0.50	9.00	10.82	8	1.00	
3711	95	O	Disc	15.00x7.00	10.59	7.75	0.53	8.78	11.25	10	1.00	
3711X	95	O	Disc	15.00x7.00	10.59	7.75	0.53	8.78	11.25	10	1.00	
3721	79	O	Disc	15.00x4.00	8.79	4.78	0.50	8.78	11.25	10	1.00	
3721A	79	O	Disc	15.00x4.00	8.79	4.78	0.50	8.78	11.25	10	1.25	
3721B	79	O	Disc	15.00x4.00	8.79	4.78	0.50	9.00	10.82	8	1.00	
3726	79	O	Disc	15.00x4.00	9.18	4.66	0.50	8.78	11.25	10	1.25	
3726X	79	O	Disc	15.00x4.00	9.18	4.66	0.50	8.78	11.25	10	1.25	
3729	97	O	Disc	15.00x4.00	9.78	6.00	0.62	8.78	11.25	10	1.25	With brake surface wear indicator.
3729A	97	O	Disc	15.00x4.00	9.78	6.00	0.62	8.78	11.25	10	1.25	
3729AX	97	O	Disc	15.00x4.00	9.78	6.00	0.62	8.78	11.25	10	1.25	
3729X	97	O	Disc	15.00x4.00	9.78	6.00	0.62	8.78	11.25	10	1.25	With brake surface wear indicator.
3730	114	O	Disc	15.00x8.62	11.31	9.11	0.50	8.78	11.25	10	0.93	
3730A	113	O	Disc	15.00x8.62	11.31	9.11	0.50	8.78	10.82	8	1.00	
3730AX	113	O	Disc	15.00x8.62	11.31	9.11	0.50	8.78	10.82	8	1.00	
3730X	114	O	Disc	15.00x8.62	11.31	9.11	0.50	8.78	11.25	10	0.93	
3731 (o)	75	O	Disc	15.00x4.00	8.74	4.73	0.50	8.78	11.25	10	1.00	
3731A (o)	75	O	Disc	15.00x4.00	8.74	4.73	0.50	9.00	10.82	8	1.00	
3731AX (o)	75	O	Disc	15.00x4.00	8.74	4.73	0.50	9.00	10.82	8	1.00	
3731X (o)	75	O	Disc	15.00x4.00	8.74	4.73	0.50	8.78	11.25	10	1.00	
3732	118	I	Disc	16.50x7.00	9.50	7.56	0.44	9.44	11.25	10	0.84	Severe duty version of 2705.
3732X	118	I	Disc	16.50x7.00	9.50	7.56	0.44	9.44	11.25	10	0.84	
3733	52	I	Spoke	15.00x3.50	5.10	3.90	0.44	9.25	11.25	5	0.78	
3733X	52	I	Spoke	15.00x3.50	5.10	3.90	0.44	9.25	11.25	5	0.78	
3737	128	O	Disc	16.50x8.00	10.94	8.44	0.50	8.53	11.25	10	0.84	
3737X	128	O	Disc	16.50x8.00	10.94	8.44	0.50	8.53	11.25	10	0.84	
3740	111	O	Disc	16.50x7.00	10.31	7.68	0.50	8.78	11.25	10	1.03	

I – Inboard Mount
O – Outboard Mount
X – Balanced

(tp) – Patented TruPilot Feature
(o) – OEM captive part number

Active Part Numbers In Order by Part Number

Active Part Numbers In Order by Size

Obsolete Part Numbers In Order by Part Number

Drum P/N	Drum Weight	Drum Mount	Wheel Type	Brake Size	Overall Depth	Width of Brake Surface	Backface Thickness	Pilot Dia.	Bolt Circle Dia.	Bolt Holes		Special Information
										No.	Size	
3740X	111	O	Disc	16.50x7.00	10.31	7.68	0.50	8.78	11.25	10	1.03	
3741	79	O	Disc	15.00x4.00	9.18	4.66	0.50	9.00	10.82	8	1.00	
3744A	105	O	Disc	15.00x8.62	11.90	9.30	0.50	9.00	10.82	8	1.00	Low profile brake drum. Limited to a hub mounting flange O.D. with a max of 13.10 in.
3746	92	O	Disc	15.00x5.00	10.40	6.68	0.62	8.78	11.25	10	1.00	
3746A	92	O	Disc	15.00x5.00	10.40	6.68	0.62	8.78	11.25	10	1.25	
3746AX	92	O	Disc	15.00x5.00	10.40	6.68	0.62	8.78	11.25	10	1.25	
3746X	92	O	Disc	15.00x5.00	10.40	6.68	0.62	8.78	11.25	10	1.00	
3748X (o)	65	O	Disc	15.00x4.00	8.52	4.59	0.00	8.78	11.25	10	1.25	
3750	103	O	Disc	15.00x8.62	12.20	9.49	0.50	8.78	11.25	10	1.00	
3750A	103	O	Disc	15.00x8.62	12.20	9.49	0.50	9.00	10.82	8	1.00	Low profile brake drum.
3750AX	103	O	Disc	15.00x8.62	12.20	9.49	0.50	9.00	10.82	8	1.00	Low profile brake drum.
3750B	112	O	Disc	15.00x8.62	12.20	8.83	0.50	8.78	11.25	10	1.00	Low profile brake drum, with brake surface wear indicator.
3753	95	O	Disc	15.00x5.00	10.28	7.14	0.50	8.78	11.25	10	1.00	Low profile brake drum.
3753	95	O	Disc	15.00x6.00	10.28	7.14	0.50	8.78	11.25	10	1.00	Low profile brake drum.
3753A	95	O	Disc	15.00x5.00	10.28	7.14	0.50	9.00	10.82	8	1.00	Low profile brake drum.
3753A	95	O	Disc	15.00x6.00	10.28	7.14	0.50	9.00	10.82	8	1.00	Low profile brake drum.
3754	86	O	Disc	15.00x4.00	9.52	5.94	0.50	8.78	11.25	10	1.00	
3754	86	O	Disc	15.00x5.00	9.52	5.94	0.50	8.78	11.25	10	1.00	
3754A	86	O	Disc	15.00x4.00	9.52	5.94	0.50	9.00	10.82	8	1.00	
3754A	86	O	Disc	15.00x5.00	9.52	5.94	0.50	9.00	10.82	8	1.00	
3754AX	86	O	Disc	15.00x4.00	9.52	5.94	0.50	9.00	10.82	8	1.00	
3754AX	86	O	Disc	15.00x5.00	9.52	5.94	0.50	9.00	10.82	8	1.00	
3756	75	O	Disc	15.00x4.00	8.50	4.40	0.50	8.78	11.25	10	1.25	
3756X	75	O	Disc	15.00x4.00	8.50	4.40	0.50	8.78	11.25	10	1.25	
3758	96	O	Disc	16.50x5.00	9.37	5.43	0.50	8.78	11.25	10	1.25	
3758A	96	O	Disc	16.50x5.00	9.37	5.43	0.50	9.00	10.82	8	1.00	
3758AX	96	O	Disc	16.50x5.00	9.37	5.43	0.50	9.00	10.82	8	1.00	
3758X	96	O	Disc	16.50x5.00	9.37	5.43	0.50	8.78	11.25	10	1.25	Serviced by 3758DX
3759	86	O	Disc	16.50x5.00	7.25	5.62	0.50	9.44	11.25	10	1.25	
3759A	86	O	Disc	16.50x5.00	7.25	5.62	0.50	9.44	11.25	10	1.00	
3759AX	86	O	Disc	16.50x5.00	7.25	5.62	0.50	9.44	11.25	10	1.00	
3759X	86	O	Disc	16.50x5.00	7.25	5.62	0.50	9.44	11.25	10	1.25	
3760	62	I	Spoke	15.00x4.00	5.85	4.61	0.50	9.25	11.25	5	0.78	
3760A	62	I	Spoke	15.00x4.00	5.85	4.61	0.50	9.25	11.25	6	0.78	
3760AX	62	I	Spoke	15.00x4.00	5.85	4.61	0.50	9.25	11.25	6	0.78	
3760B	62	I	Spoke	15.00x4.00	5.85	4.61	0.50	9.25	11.25	5/6	0.78	
3760X	62	I	Spoke	15.00x4.00	5.85	4.61	0.50	9.25	11.25	5	0.78	
3762X (o)	117	O	Disc	16.50x7.00	10.22	7.48	0.62	10.70	13.18	10	1.44	
3763AX (o)	116	O	Disc	16.50x7.00	10.22	7.48	0.62	11.25	13.18	10	1.00	
3763X (o)	117	O	Disc	16.50x7.00	10.22	7.48	0.62	10.70	13.18	10	1.25	
3764X (o)	118	O	Disc	16.50x7.00	10.22	7.48	0.62	9.00	11.25	10	1.25	
3765	150	O	Disc	16.50x8.00	10.94	8.44	0.50	8.53	11.25	10	0.84	Heavy duty version of 3737.
3765X	150	O	Disc	16.50x8.00	10.94	8.44	0.50	8.53	11.25	10	0.84	Heavy duty version of 3737X.
3767	81	I	Spoke	16.50x5.00	6.12	5.38	0.50	9.25	11.25	6	0.78	
3767A	81	I	Spoke	16.50x5.00	6.12	5.38	0.50	9.25	11.25	6	0.78	
3767AX	81	I	Spoke	16.50x5.00	6.12	5.38	0.50	9.25	11.25	6	0.78	
3771	80	O	Disc	15.00x4.00	9.00	5.32	0.50	8.78	11.25	10	1.00	
3771A	79	O	Disc	15.00x4.00	9.00	5.32	0.50	8.75	11.25	10	0.81	

I – Inboard Mount
 O – Outboard Mount
 X – Balanced

(tp) – Patented TruPilot Feature
 (o) – OEM captive part number

Drum P/N	Drum Weight	Drum Mount	Wheel Type	Brake Size	Overall Depth	Width of Brake Surface	Backface Thickness	Pilot Dia.	Bolt Circle Dia.	Bolt Holes		Special Information
										No.	Size	
3771AX	79	O	Disc	15.00x4.00	9.00	5.32	0.50	8.75	11.25	10	0.81	
3772	108	O	Disc	16.50x6.00	9.65	6.74	0.50	8.78	11.25	10	1.00	
3773	111	O	Disc	16.50x7.00	10.53	7.72	0.50	8.78	11.25	10	1.00	
3774	84	O	Disc	15.00x5.00	9.33	5.42	0.50	8.78	11.25	10	1.25	
3774A	84	O	Disc	15.00x5.00	9.33	5.42	0.50	9.00	10.82	8	1.00	
3774AX	84	O	Disc	15.00x5.00	9.33	5.42	0.50	9.00	10.82	8	1.00	
3780	127	O	Disc	16.50x8.62	11.30	9.12	0.53	8.78	11.25	10	1.00	
3780A	127	O	Disc	16.50x8.62	11.30	9.12	0.53	8.78	11.25	10	1.00	With brake surface wear indicator.
3780AX	127	O	Disc	16.50x8.62	11.30	9.12	0.53	8.78	11.25	10	1.00	With brake surface wear indicator.
3780X	127	O	Disc	16.50x8.62	11.30	9.12	0.53	8.78	11.25	10	1.00	
3784	102	I	Spoke	16.50x7.00	8.40	7.56	0.56	9.44	11.00	5	0.78	
3784	102	I	Spoke	16.50x7.00	8.40	7.56	0.56	9.44	11.00	6	0.65	
3784X	102	I	Spoke	16.50x7.00	8.40	7.56	0.56	9.44	11.00	5	0.78	
3784X	102	I	Spoke	16.50x7.00	8.40	7.56	0.56	9.44	11.00	6	0.65	
3786	131	O	Disc	16.50x6.00	9.88	6.78	0.62	9.00	11.25	10	1.25	
3795	115	O	Disc	16.50x7.00	10.81	8.28	0.50	8.78	11.25	10	1.00	
3795X	115	O	Disc	16.50x7.00	10.81	8.28	0.50	8.78	11.25	10	1.00	
3796	107	O	Disc	16.50x7.00	10.12	7.50	0.50	8.78	11.25	10	1.00	
3796A	107	O	Disc	16.50x7.00	10.12	7.50	0.50	8.78	11.25	10	1.25	
3796AX	107	O	Disc	16.50x7.00	10.12	7.50	0.50	8.78	11.25	10	1.25	
3798	115	I	Spoke	16.50x8.62	10.00	9.12	0.50	9.44	11.00	5	0.78	
3798	115	I	Spoke	16.50x8.62	10.00	9.12	0.50	9.44	11.00	6	0.65	
3798X	115	I	Spoke	16.50x8.62	10.00	9.12	0.50	9.44	11.00	6	0.65	
3798X	115	I	Spoke	16.50x8.62	10.00	9.12	0.50	9.44	11.00	5	0.78	
3811	157	O	Disc	16.50x8.62	11.39	9.08	0.62	8.78	11.25	10	1.03	Heavy duty version of 3807.
3818	97	O	Disc	16.50x5.00	9.37	5.43	0.50	8.78	11.25	10	1.25	Double pilot version of 3578.
3818X	97	O	Disc	16.50x5.00	9.37	5.43	0.50	8.78	11.25	10	1.25	Double pilot version of 3578X.
3819	110	O	Disc	16.50x7.00	10.56	7.60	0.53	8.78	11.25	10	1.00	
3819X	110	O	Disc	16.50x7.00	10.56	7.60	0.53	8.78	11.25	10	1.00	
3820	96	O	Disc	16.50x5.00	9.04	5.38	0.50	8.78	11.25	10	1.25	Reduced tolerance version of 3710.
3820X	96	O	Disc	16.50x5.00	9.04	5.38	0.50	8.78	11.25	10	1.25	Reduced tolerance version of 3710X.
3821X	79	O	Disc	15.00x4.00	8.79	4.78	0.50	8.78	11.25	10	1.25	Stepped pilot version of 3721AX.
3825	112	O	Disc	16.50x7.00	10.56	7.60	0.53	8.78	11.25	10	1.00	Reduce tolerance version of 3600A®.
3825X	112	O	Disc	16.50x7.00	10.56	7.60	0.53	8.78	11.25	10	1.00	Reduce tolerance version of 3600A®X.
3826X	97	I	Spoke	16.50x7.00	9.00	7.81	0.50	11.25	12.75	6	0.65	
3826X	97	I	Spoke	16.50x7.00	9.00	7.81	0.50	11.25	12.75	5	0.78	
3827	40	I	Spoke	12.25x3.50	5.87	4.12	0.43	5.00	6.50	5	0.65	Equivalent to Erie 2757.
3827X	40	I	Spoke	12.25x3.50	5.87	4.12	0.43	5.00	6.50	5	0.65	Equivalent to Erie 2757-Balanced.
3828	124	I	Spoke	18.00x7.00	9.25	8.00	0.50	11.25	12.75	6	0.65	
3828X	124	I	Spoke	18.00x7.00	9.25	8.00	0.50	11.25	12.75	6	0.65	
3829	203	I	Spoke	20.00x8.00	11.25	9.00	0.68	9.50	11.25	6	0.78	Equivalent to Erie 2759-3.
3829X	203	I	Spoke	20.00x8.00	11.25	9.00	0.68	9.50	11.25	6	0.78	Equivalent to Erie 2759-3-Balanced.
3830	62	I	Spoke	12.25x5.50	7.56	6.50	0.50	7.00	8.25	6	0.65	Equivalent to Erie 2700-2.
3830X	62	I	Spoke	12.25x5.50	7.56	6.50	0.50	7.00	8.25	6	0.65	Equivalent to Erie 2700-2-Balanced.

I – Inboard Mount
O – Outboard Mount
X – Balanced

(tp) – Patented TruPilot Feature
(o) – OEM captive part number

Active Part Numbers In Order by Part Number

Active Part Numbers In Order by Size

Obsolete Part Numbers In Order by Part Number

Drum P/N	Drum Weight	Drum Mount	Wheel Type	Brake Size	Overall Depth	Width of Brake Surface	Backface Thickness	Pilot Dia.	Bolt Circle Dia.	Bolt Holes		Special Information
										No.	Size	
3831	74	I	Spoke	12.25x7.50	8.87	7.87	0.50	7.00	8.25	6	0.65	
3831X	74	I	Spoke	12.25x7.50	8.87	7.87	0.50	7.00	8.25	6	0.65	
3832	92	I	Spoke	12.25x7.50	9.06	8.08	0.53	7.00	8.25	6	0.65	Equivalent to Erie 2700-1.
3832X	92	I	Spoke	12.25x7.50	9.06	8.08	0.53	7.00	8.25	6	0.65	Equivalent to Erie 2700-1-Balanced.
3833	41	I	Spoke	12.25x5.00	6.31	5.62	0.44	7.00	8.25	6	0.65	Equivalent to Erie 3833.
3833A	43	I	Spoke	12.25x5.00	6.31	5.62	0.44	7.00	8.25	6	0.65	Equivalent to Erie 2703-4.
3833AX	43	I	Spoke	12.25x5.00	6.31	5.62	0.44	7.00	8.25	6	0.65	Equivalent to Erie 2703-4-Balanced.
3833X	41	I	Spoke	12.25x5.00	6.31	5.62	0.44	7.00	8.25	6	0.65	Equivalent to Erie 3833-Balanced.
3834	106	I	Spoke	16.50x7.00	8.24	7.44	0.50	9.44	11.00	6	0.65	
3834	106	I	Spoke	16.50x7.00	8.24	7.44	0.50	9.44	11.00	5	0.78	
3834X	106	I	Spoke	16.50x7.00	8.24	7.44	0.50	9.44	11.00	6	0.65	
3834X	106	I	Spoke	16.50x7.00	8.24	7.44	0.50	9.44	11.00	5	0.78	
3835	115	I	Spoke	16.50x7.00	8.75	7.50	0.00	9.50	11.25	5	0.78	
3835	115	I	Spoke	16.50x7.00	8.75	7.50	0.00	9.50	11.25	6	0.65	
3835A	115	I	Spoke	16.50x7.00	8.75	7.50	0.00	9.50	11.25	10	0.81	Equivalent to Erie 2740-1.
3835AX	115	I	Spoke	16.50x7.00	8.75	7.50	0.00	9.50	11.25	10	0.81	Equivalent to Erie 2740-1-Balanced.
3835X	115	I	Spoke	16.50x7.00	8.75	7.50	0.00	9.50	11.25	5	0.78	
3836	78	I	Spoke	12.25x7.50	8.81	8.06	0.00	8.50	10.00	9	0.65	
3836X	78	I	Spoke	12.25x7.50	8.81	8.06	0.00	8.50	10.00	9	0.65	
3837	59	I	Spoke	12.25x5.50	7.56	6.06	0.37	7.00	8.25	6	0.65	Equivalent to Erie 2755.
3837X	59	I	Spoke	12.25x5.50	7.56	6.06	0.37	7.00	8.25	6	0.65	Equivalent to Erie 2755-Balanced.
3838	116	I	Disc	16.50x7.00	9.50	7.62	0.00	9.44	11.25	10	0.81	Equivalent to Erie 2760.
3838X	116	I	Disc	16.50x7.00	9.50	7.62	0.00	9.44	11.25	10	0.81	Equivalent to Erie 2760-Balanced.
3839	96	I	Spoke	16.50x7.00	8.44	7.38	0.50	11.00	12.50	5/6	0.65	Mack use 3143X for 5 hole application.
3839X	96	I	Spoke	16.50x7.00	8.44	7.38	0.50	11.00	12.50	5/6	0.65	Mack use 3143X for 5 hole application.
3840	109	I	Spoke	16.50x7.00	8.00	7.31	0.00	11.00	12.75	5/6	0.65	Equivalent to Erie 2765.
3840X	109	I	Spoke	16.50x7.00	8.00	7.31	0.00	11.00	12.75	5/6	0.65	Equivalent to Erie 2765-Balanced.
3841	128	I	Spoke	18.00x7.00	8.25	7.60	0.00	11.00	12.75	6	0.65	Equivalent to Erie 2766 Serviced by 3197X.
3841X	128	I	Spoke	18.00x7.00	8.25	7.60	0.00	11.00	12.75	6	0.65	Equivalent to Erie 2766-Balanced Serviced by 3197X.
3842	114	O	Disc	15.00x6.00	8.65	6.70	0.00	9.44	11.25	10	1.31	Equivalent to Erie 2767.
3842X	114	O	Disc	15.00x6.00	8.65	6.70	0.00	9.44	11.25	10	1.31	Equivalent to Erie 2767-Balanced.
3844	105	O	Disc	16.50x7.00	10.59	7.75	0.50	9.00	11.25	10	0.81	Equivalent to Erie 2769.
3844X	105	O	Disc	16.50x7.00	10.59	7.75	0.50	9.00	11.25	10	0.81	Equivalent to Erie 2769-Balanced.
3845	104	I	Spoke	16.50x7.00	8.45	7.40	0.00	11.25	12.75	5/6	0.78	Equivalent to Erie 2770.
3845A	104	I	Spoke	16.50x7.00	8.45	7.40	0.00	11.25	12.75	5/6	0.78	Equivalent to Erie 2770E.
3845AX	104	I	Spoke	16.50x7.00	8.45	7.40	0.00	11.25	12.75	5/6	0.78	Equivalent to Erie 2770E-Balanced Serviced by 3295AX.
3845X	104	I	Spoke	16.50x7.00	8.45	7.40	0.00	11.25	12.75	5/6	0.78	Equivalent To Erie 2770-Balanced Serviced by 3295AX.
3846	114	O	Disc	16.50x7.00	10.59	7.75	0.00	9.00	11.25	10	0.81	Equivalent to Erie 2771.
3846A	114	O	Disc	16.50x7.00	10.59	7.75	0.00	9.00	10.83	8	1.03	Equivalent to Erie 2771-1.
3846AX	114	O	Disc	16.50x7.00	10.59	7.75	0.00	9.00	10.83	8	1.03	Equivalent to Erie 2771-1-Balanced.
3846X	114	O	Disc	16.50x7.00	10.59	7.75	0.00	9.00	11.25	10	0.81	Equivalent to Erie 2771-Balanced.

I – Inboard Mount
O – Outboard Mount
X – Balanced

(tp) – Patented TruPilot Feature
(o) – OEM captive part number

Drum P/N	Drum Weight	Drum Mount	Wheel Type	Brake Size	Overall Depth	Width of Brake Surface	Backface Thickness	Pilot Dia.	Bolt Circle Dia.	Bolt Holes		Special Information
										No.	Size	
3847	114	O	Disc	16.50x7.00	10.31	7.63	0.00	9.00	11.25	10	0.87	Equivalent to Erie 2771-1
3847X	114	O	Disc	16.50x7.00	10.31	7.63	0.00	9.00	11.25	10	0.87	Equivalent to Erie 2771-1-Balanced.
3848	105	I	Spoke	16.50x7.00	8.06	7.44	0.59	14.25	12.75	5	0.65	
3848	105	I	Spoke	16.50x7.00	8.06	7.44	0.59	14.25	12.75	6	0.65	
3848A	105	I	Spoke	16.50x7.00	8.24	7.44	0.59	14.25	12.75	5	0.78	Equivalent to Erie 2773-3.
3848AX	105	I	Spoke	16.50x7.00	8.24	7.44	0.59	14.25	12.75	5	0.78	Equivalent to Erie 2773-3-Balanced.
3848X	105	I	Spoke	16.50x7.00	8.06	7.44	0.59	14.25	12.75	5/6	0.65	
3849	127	I	Spoke	16.50x8.62	9.88	9.07	0.00	9.44	11.00	5	0.78	Equivalent to Erie 2774.
3849	127	I	Spoke	16.50x8.62	9.88	9.07	0.00	9.44	11.00	6	0.65	Equivalent to Erie 2774.
3849X	127	I	Spoke	16.50x8.62	9.88	9.07	0.00	9.44	11.00	6	0.65	Equivalent to Erie 2774-Balanced.
3849X	127	I	Spoke	16.50x8.62	9.88	9.07	0.00	9.44	11.00	5	0.78	Equivalent to Erie 2774-Balanced.
3850	107	I	Spoke	16.50x7.00	8.65	7.65	0.00	10.50	12.75	5/6	0.78	Equivalent to Erie 2775.
3850X	107	I	Spoke	16.50x7.00	8.65	7.65	0.00	10.50	12.75	5/6	0.78	Equivalent to Erie 2775-Balanced.
3851	212	O	Disc	15.14x10.00	12.38	10.58	0.50	9.44	11.25	10	1.31	Equivalent to Erie 2777.
3851R	212	O	Disc	15.14x10.00	12.38	10.58	0.50	9.44	11.25	10	1.31	Rebore Indicates .040 Undersize Drum.
3851RX	212	O	Disc	15.14x10.00	12.38	10.58	0.50	9.44	11.25	10	1.31	Rebore Indicates .040 Undersize Drum.
3851X	212	O	Disc	15.14x10.00	12.38	10.58	0.50	9.44	11.25	10	1.31	Equivalent to Erie 2777 - Balanced.
3852	156	O	Disc	15.14x6.00	8.65	6.70	0.50	9.44	11.25	10	1.31	Equivalent to Erie 2778.
3852R	156	O	Disc	15.14x6.00	8.65	6.70	0.50	9.44	11.25	10	1.31	Rebore Indicates .040 Undersize Drum.
3852RX	156	O	Disc	15.14x6.00	8.65	6.70	0.50	9.44	11.25	10	1.31	Rebore Indicates .040 Undersize Drum.
3852X	156	O	Disc	15.14x6.00	8.65	6.70	0.50	9.44	11.25	10	1.31	Equivalent to Erie 2778 - Balanced.
3853A	117	O	Disc	16.50x7.00	10.69	7.75	0.53	8.78	11.25	10	1.00	Replaces Erie 2764A.
3853AX	117	O	Disc	16.50x7.00	10.69	7.75	0.53	8.78	11.25	10	1.00	
3853B	117	O	Disc	16.50x7.00	10.69	7.75	0.53	9.44	11.25	10	0.81	
3853BX	117	O	Disc	16.50x7.00	10.69	7.75	0.53	9.44	11.25	10	0.81	
3853C	117	O	Disc	16.50x7.00	10.69	7.75	0.53	8.53	11.25	10	0.81	
3853CX	117	O	Disc	16.50x7.00	10.69	7.75	0.53	8.53	11.25	10	0.81	
3853D	117	O	Disc	16.50x7.00	10.60	7.74	0.50	8.78	11.25	10	1.00	
3853DX	117	O	Disc	16.50x7.00	10.60	7.74	0.50	8.78	11.25	10	1.00	
3854	156	O	Disc	14.50x10.00	12.82	10.75	0.50	9.44	11.25	10	1.25	Equivalent to Webb 64115.
3854A	156	O	Disc	14.50x10.00	12.82	10.75	0.50	9.44	11.25	10	1.25	With bell-end speedometer drilling.
3854AX	156	O	Disc	14.50x10.00	12.82	10.75	0.50	9.44	11.25	10	1.25	With bell-end speedometer drilling.
3854R	156	O	Disc	14.50x10.00	12.82	10.75	0.50	9.44	11.25	10	1.25	Equivalent to Webb 64115U. Rebore Indicates .040 Undersize Drum.
3854RX	156	O	Disc	14.50x10.00	12.82	10.75	0.50	9.44	11.25	10	1.25	Equivalent to Webb 64115U. Rebore Indicates .040 Undersize Drum.
3854X	156	O	Disc	14.50x10.00	12.82	10.75	0.50	9.44	11.25	10	1.25	Equivalent to Webb 64115B - Balanced.
3855	107	O	Disc	14.50x6.00	8.69	6.56	0.50	9.44	11.25	10	1.25	Equivalent to Webb 64117.
3855A	107	O	Disc	14.50x6.00	8.69	6.56	0.50	9.44	11.25	10	1.25	With bell-end speedometer drilling.
3855AX	107	O	Disc	14.50x6.00	8.69	6.56	0.50	9.44	11.25	10	1.25	With bell-end speedometer drilling.

I – Inboard Mount
O – Outboard Mount
X – Balanced

(tp) – Patented TruPilot Feature
(o) – OEM captive part number

Active Part Numbers In Order by Part Number

Active Part Numbers In Order by Size

Obsolete Part Numbers In Order by Part Number

Drum P/N	Drum Weight	Drum Mount	Wheel Type	Brake Size	Overall Depth	Width of Brake Surface	Backface Thickness	Pilot Dia.	Bolt Circle Dia.	Bolt Holes		Special Information
										No.	Size	
3855R	107	0	Disc	14.50x6.00	8.69	6.56	0.50	9.44	11.25	10	1.25	Equivalent to Webb 64117U. Rebore Indicates .040 Undersize Drum.
3855RX	107	0	Disc	14.50x6.00	8.69	6.56	0.50	9.44	11.25	10	1.25	Equivalent to Webb 64117U. Rebore Indicates .040 Undersize Drum.
3855X	107	0	Disc	14.50x6.00	8.69	6.56	0.50	9.44	11.25	10	1.25	Equivalent to Webb 64117B - Balanced.
3856	98	0	Disc	16.14x6.00	8.39	6.60	0.62	14.53	13.19	10	0.91	Equivalent to Webb 64040.
3856R	98	0	Disc	16.14x6.00	8.39	6.60	0.62	14.53	13.19	10	0.91	Equivalent to Webb 64040U. Rebore Indicates .040 Undersize Drum.
3856RX	98	0	Disc	16.14x6.00	8.39	6.60	0.62	14.53	13.19	10	0.91	Equivalent to Webb 64040U. Rebore Indicates .040 Undersize Drum.
3856X	98	0	Disc	16.14x6.00	8.39	6.60	0.62	14.53	13.19	10	0.91	Equivalent to Webb 64040B - Balanced.
3857	127	0	Disc	16.15x8.00	11.82	9.30	0.62	14.41	13.19	10	0.91	Equivalent to Webb 64089.
3857R	127	0	Disc	16.15x8.00	11.82	9.30	0.62	14.41	13.19	10	0.91	Equivalent to Webb 64089U. Rebore Indicates .040 Undersize Drum.
3857RX	127	0	Disc	16.15x8.00	11.82	9.30	0.62	14.41	13.19	10	0.91	Equivalent to Webb 64089U. Rebore Indicates .040 Undersize Drum.
3857X	127	0	Disc	16.15x8.00	11.82	9.30	0.62	14.41	13.19	10	0.91	Equivalent to Webb 64089B - Balanced.
3887X	83	0	Disc	12.25x7.50	11.22	10.00	0.50	9.00	10.82	8	1.00	
3889	123	0	Disc	16.50x7.00	10.82	7.70	0.50	8.78	11.25	10	1.00	
3890	133	0	Disc	16.50x8.62	11.46	8.90	1.00	8.78	11.25	10	0.94	
3891	135	0	Disc	16.50x8.00	11.44	8.37	0.50	8.78	11.25	10	0.81	Notched.
3891X	135	0	Disc	16.50x8.00	11.44	8.37	0.50	8.78	11.25	10	0.81	Notched.
3892	134	0	Disc	16.50x8.00	11.44	8.37	0.50	8.53	11.25	10	0.81	Notched.
3892X	134	0	Disc	16.50x8.00	11.44	8.37	0.50	8.53	11.25	10	0.81	Notched.
3893	124	0	Disc	16.50x6.00	9.74	6.74	0.62	8.53	11.25	10	1.25	
3893X	124	0	Disc	16.50x6.00	9.74	6.74	0.62	8.53	11.25	10	1.25	
3894	122	0	Disc	16.50x7.00	10.33	7.77	0.50	11.06	13.19	10	1.03	
3894X	122	0	Disc	16.50x7.00	10.33	7.77	0.50	11.06	13.19	10	1.03	
3895	79	0	Disc	15.00x5.00	8.03	5.71	0.45	6.25	8.75	6	0.81	
3895X	79	0	Disc	15.00x5.00	8.03	5.71	0.45	6.25	8.75	6	0.81	
3899	112	0	Disc	16.50x7.00	10.54	7.60	0.50	8.78	11.25	10	1.00	For use with LynnFin cooling component.
3899X	112	0	Disc	16.50x7.00	10.54	7.60	0.50	8.78	11.25	10	1.00	For use with LynnFin cooling component.
3926X	140	0	Disc	18.00x7.00	10.09	7.60	0.54	8.78	11.25	10	1.00	
3927X	88	0	Disc	15.00x5.00	9.04	5.56	0.50	8.67	11.25	10	1.25	
51283-14	98	n/a	n/a	14.50x5.00	8.31	5.50	0.50	9.44	11.25	10	1.31	
51421-01	66	0	Disc	17.25x5.00	7.50	4.68	0.44	9.88	11.25	10	0.813	No Replacement
51961-10	105	n/a	n/a	16.50x7.00	8.44	7.50	0.63	11.00	12.50	5 & 6	0.66	
52327-11	108	n/a	n/a	16.50x7.00	8.75	7.50	0.50	9.50	11.25	5 & 6	0.81 & 0.64	
52472-128	79	n/a	n/a	14.50x5.00	8.00	5.31	0.50	9.44	11.25	10	1.31	No Replacement
52480-108	125	n/a	n/a	14.50x8.00	11.50	8.44	0.50	9.44	11.25	10	1.28	
52647-11	94	n/a	n/a	16.50x7.00	8.25	7.38	n/a	11.25	12.75	5 & 6	0.66	
52743-11	66	n/a	n/a	12.25x7.50	8.88	7.89	0.43	8.50	10.00	3 & 6	0.69	No Replacement
52757-308	112	n/a	n/a	14.50x5.00	8.00	5.31	0.50	9.44	11.25	10	1.31	
52890-13	103	n/a	n/a	16.50x7.00	8.75	7.63	0.56	10.50	12.75	5 & 6	0.78	Serviced by 2997D
52918-01	167	n/a	n/a	16.50x10.00	13.38	10.56	0.50	8.53	11.25	10	0.80	

I – Inboard Mount
 O – Outboard Mount
 X – Balanced
 (tp) – Patented TruPilot Feature
 (o) – OEM captive part number

Drum P/N	Drum Weight	Drum Mount	Wheel Type	Brake Size	Overall Depth	Width of Brake Surface	Backface Thickness	Pilot Dia.	Bolt Circle Dia.	Bolt Holes		Special Information
										No.	Size	
52919-017	110	n/a	n/a	16.50x6.00	9.81	6.50	n/a	9.00	11.25	10	1.31	
52965-117	205	n/a	n/a	15.125x10.00	12.38	10.48	n/a	9.44	11.25	10	1.31	
52975-118	83	n/a	n/a	16.14x6.00	8.38	6.63	n/a	11.73	13.19	10	0.91	
52976-118	110	n/a	n/a	16.14x8.62	11.81	9.19	n/a	11.73	13.19	15	0.91	
52981-018	88	n/a	n/a	15.00x4.00	8.76	4.44	n/a	9.00	11.25	10	1.28	
52965-119	205	n/a	n/a	15.125x10.00	12.38	10.48	0.51	9.44	11.25	10	1.31	No Replacement
52966-108	134	n/a	n/a	15.125x6.00	8.66	6.69	0.50	9.44	11.25	10	1.31	No Replacement
54203-01	137	I	Disc	18.00x7.00	8.24	7.48	0.51	11.00	12.75	6	0.66	Serviced by 3197
54208-01	118	O	n/a	16.50x7.00	8.13	7.34	0.49	8.53	11.25	10	0.81	Serviced by 8699 or 3699X
54212-01	117	n/a	n/a	16.50x7.00	9.69	7.26	n/a	8.78	11.25	10	1.28	
54215-01	79	n/a	n/a	12.25x7.50	9.07	7.96	0.45	8.50	10.00	6	0.66	
54216-01	90	n/a	n/a	16.50x5.00	8.10	5.47	n/a	8.78	11.25	10	1.28	
54226-018	131	n/a	n/a	16.50x6.00	9.88	6.75	n/a	9.00	11.25	10	1.25	
54230-01	145	I	n/a	18.00x7.00	8.87	7.56	0.56	11.25	12.75	6 & 6	0.78 & 0.65	Serviced by 2747F
54232-018	147	O	n/a	16.50x8.62	11.28	9.16	0.59	11.25	13.19	10	1.06	No Replacement
54236-018	134	n/a	n/a	16.50x8.62	11.46	8.87	n/a	8.78	11.25	10	0.94	
54240-01	107	n/a	n/a	16.50x6.00	9.65	6.77	n/a	11.25	13.19	10	0.94	
54253-018	145	n/a	n/a	16.14x8.62	10.85	9.03	0.61	11.10	13.19	10	0.91	No Replacement
54264-01	91	I	Disc	16.50x7.00	8.19	7.19	0.51	11.25	12.75	5 & 6	0.78 & 0.66	Serviced by 3136A for 5/8 bolt, 3136B for 3/4 bolt
54266-018	124	O	Disc	16.50x6.00	9.75	6.50	0.63	8.53	11.25	10	1.28	No Replacement
54267-018	126	O	Disc	16.50x7.00	10.37	7.46	0.50	8.78	11.25	10	0.94	Serviced by 3576X
54268-128	103	O	Disc	16.50x6.00	9.65	6.62	0.50	11.25	13.19	10	1.00	Serviced by 54268-018
54271-01	106	n/a	n/a	15.00x7.00	10.59	7.75	n/a	8.78	11.25	10	0.94	
54272-018	75	n/a	n/a	15.00x4.00	8.98	4.78	0.51	8.75	11.25	10	0.81	No Replacement
54276-018	81	n/a	n/a	15.00x4.00	9.04	4.54	n/a	8.78	11.25	10	1.00	BAL
54284-01	120	n/a	n/a	15.50x8.00	10.69	8.38	n/a	11.06	13.19	10	1.03	
54294-018	136	n/a	n/a	16.50x8.62	12.39	9.70	n/a	9.00	10.82	8	1.00	BAL
54304-01	200	O	Disc	18.00x7.00	11.95	7.67	0.80	11.25	13.19	10	1.06	No Replacement
54312-108	174	O	n/a	16.14x8.625	10.83	8.92	0.63	11.06	13.19	10	1.02	No Replacement
7000X	63	O	Disc	15.00x4.00	8.54	4.66	0.25	8.78	11.25	10	1.25	
7001X	67	O	Disc	15.00x4.00	8.93	4.66	0.25	8.78	11.25	10	1.25	
7002X	77	O	Disc	16.50x5.00	8.79	5.38	0.25	8.78	11.25	10	1.25	
7003X	78	O	Disc	16.50x5.00	9.17	5.38	0.25	8.78	11.25	10	1.25	
7004X	83	O	Disc	15.00x6.00	9.37	6.40	0.25	8.78	11.25	10	1.25	
7005X	86	O	Disc	16.50x6.00	9.37	6.52	0.25	8.78	11.25	10	1.25	
7006X	91	O	Disc	16.50x7.00	10.28	7.66	0.25	8.78	11.25	10	1.00	
7007X	85	O	Disc	15.00x6.00	9.67	6.40	0.25	8.78	11.25	10	1.25	
7008X	81	O	Disc	15.00x6.00	9.29	6.40	0.25	8.78	11.25	10	1.25	
7009X	69	O	Disc	15.00x5.00	9.17	5.40	0.25	8.78	11.25	10	1.25	
7010X	71	O	Disc	15.00x5.00	8.79	5.40	0.25	8.78	11.25	10	1.25	
7011X	63	O	Disc	15.00x4.00	8.54	4.78	0.25	9.00	10.82	8	1.00	
7012X	91	O	Disc	16.50x7.00	10.28	7.50	0.25	9.00	10.82	8	1.00	
7013X	91	O	Disc	16.50x7.00	10.28	7.66	0.25	9.00	11.25	10	1.00	
7014X	87	I	Disc	16.50x7.00	9.50	7.56	0.25	9.44	11.25	10	0.84	
7015X	85	I	Disc	16.50x7.00	8.74	7.50	0.25	9.50	11.25	10	0.81	
7016X	67	O	Disc	15.00x4.00	8.93	4.66	0.25	9.00	10.82	8	1.00	
7017X	97	O	Disc	15.00x8.62	11.65	9.30	0.25	8.78	11.25	10	1.00	
7018X	98	O	Disc	15.00x8.62	11.95	9.49	0.25	8.78	11.25	10	1.00	

I – Inboard Mount (tp) – Patented TruPilot Feature
O – Outboard Mount (o) – OEM captive part number
X – Balanced

Active Part Numbers In Order by Part Number

Active Part Numbers In Order by Size

Obsolete Part Numbers In Order by Part Number

Drum P/N	Drum Weight	Drum Mount	Wheel Type	Brake Size	Overall Depth	Width of Brake Surface	Backface Thickness	Pilot Dia.	Bolt Circle Dia.	Bolt Holes		Special Information
										No.	Size	
7019X	106	O	Disc	16.50x8.62	11.06	9.14	0.25	8.78	11.25	10	1.00	
7020X	118	O	Disc	16.50x8.00	10.78	8.60	0.25	8.78	11.25	10	1.00	
7021X	91	O	Disc	16.50x7.00	10.40	7.70	0.25	8.53	11.25	10	0.81	
7022X	92	O	Disc	16.50x7.00	10.04	7.34	0.25	8.53	11.25	10	0.81	
7023X	93	O	Disc	16.50x7.00	10.44	7.85	0.25	9.00	10.82	8	1.00	
7024X	93	O	Disc	16.50x7.00	10.44	7.85	0.25	9.00	11.25	10	1.00	
7025X	94	O	Disc	16.50x7.00	10.60	7.98	0.25	8.78	11.25	10	1.00	
7026X	63	O	Disc	15.00x4.00	8.54	4.78	0.25	9.00	10.82	8	0.90	
7027X	67	O	Disc	15.00x4.00	8.93	4.66	0.25	9.00	10.82	8	0.90	
7028X	93	O	Disc	16.50x7.00	10.44	7.85	0.25	9.00	10.82	8	0.90	
7029X	93	O	Disc	16.50x7.00	10.44	7.85	0.25	9.00	11.25	10	0.81	
7030X	94	O	Disc	16.50x7.00	10.60	7.98	0.25	8.78	11.25	10	0.90	
7031X	91	O	Disc	16.50x7.00	10.28	7.66	0.25	8.78	11.25	10	0.90	
7032X	63	O	Disc	15.00x4.00	8.54	4.78	0.25	8.78	11.25	10	0.90	
7033X	67	O	Disc	15.00x4.00	8.93	4.66	0.25	8.78	11.25	10	0.90	
7034X	78	O	Disc	16.50x5.00	8.79	5.38	0.25	8.78	11.25	10	0.90	
8014 (o)	135	I	SPOKE	20.00x6.00	9.62	6.18	0.81	12.75	15.00	12	0.76	
8014X (o)	135	I	SPOKE	20.00x6.00	9.62	6.18	0.81	12.75	15.00	12	0.76	
8017 (o)	84	I	Disc	17.25x5.00	6.50	5.62	0.75	11.25	12.87	12	0.78	
8017X (o)	84	I	Disc	17.25x5.00	6.50	5.62	0.75	11.25	12.87	12	0.78	
8028 (o)	98	I	Spoke	16.50x7.00	8.56	7.50	0.50	14.25	12.75	6	0.64	
8028X (o)	98	I	Spoke	16.50x7.00	8.56	7.50	0.50	14.25	12.75	6	0.64	
8042 (o)	145	O	Disc	17.25x6.00	10.56	6.62	0.56	13.12	11.25	10	1.17	
8042X (o)	145	O	Disc	17.25x6.00	10.56	6.62	0.56	13.12	11.25	10	1.17	
8451 (o)	68	O	Disc	16.00x2.00	5.43	2.68	0.37	12.00	13.50	12	0.78	
8451X (o)	68	O	Disc	16.00x2.00	5.43	2.68	0.37	12.00	13.50	12	0.78	
8452 (o)	69	O	Disc	15.00x5.00	7.18	6.18	0.37	12.00	13.50	12	0.78	
8452X (o)	69	O	Disc	15.00x5.00	7.18	6.18	0.37	12.00	13.50	12	0.78	
8515 (o)	91	I	Spoke	16.00x6.00	8.37	6.50	0.43	14.25	12.75	5	0.64	
8515X (o)	91	I	Spoke	16.00x6.00	8.37	6.50	0.43	14.25	12.75	5	0.64	
8557X (o)	96	I	Disc	16.50x6.00	7.62	6.43	0.56	8.66	11.25	10	0.81	
8563X (o)	124	I	Spoke	17.25x6.00	7.37	6.68	0.56	11.00	12.75	6	0.64	
8564 (o)	78	I	Spoke	17.25x5.00	6.44	5.84	0.38	11.00	12.75	6	0.64	
8564X (o)	78	I	Spoke	17.25x5.00	6.44	5.84	0.38	11.00	12.75	6	0.64	
8565X (o)	60	I	Spoke	16.50x4.00	5.93	4.87	0.43	11.00	12.75	6	0.65	
8572 (o)	88	I	Spoke	16.50x7.00	8.75	7.50	0.50	11.25	12.75	6	0.65	
8572X (o)	88	I	Spoke	16.50x7.00	8.75	7.50	0.50	11.25	12.75	6	0.65	
8576 (o)	122	I	Spoke	16.50x7.00	8.00	7.31	0.40	11.00	12.75	6	0.64	
8576A (o)	122	I	Disc	16.50x7.00	8.00	7.31	0.40	11.00	12.75	7	0.64	
8576AX (o)	122	I	Disc	16.50x7.00	8.00	7.31	0.40	11.00	12.75	7	0.64	
8576X (o)	122	I	Spoke	16.50x7.00	8.00	7.31	0.40	11.00	12.75	6	0.64	
8578 (o)	90	I	Spoke	16.50x6.00	7.12	6.43	0.40	11.00	12.75	6	0.64	
8578X (o)	90	I	Spoke	16.50x6.00	7.12	6.43	0.40	11.00	12.75	6	0.64	
8590 (o)	94	O	Disc	17.25x5.50	7.25	6.25	0.62	17.22	15.75	16	0.78	
8590X (o)	94	O	Disc	17.25x5.50	7.25	6.25	0.62	17.22	15.75	16	0.78	
8604X (o)	147	I	Disc	17.25x7.00	9.81	7.68	0.62	11.00	13.18	10	1.03	
8613 (o)	82	I	Spoke	15.00x6.00	7.90	6.62	0.59	14.25	12.75	5	0.65	
8613X (o)	82	I	Spoke	15.00x6.00	7.90	6.62	0.59	14.25	12.75	5	0.65	
8614 (o)	85	I	Spoke	15.00x7.00	8.34	7.50	0.59	14.25	12.75	5	0.65	
8614X (o)	85	I	Spoke	15.00x7.00	8.34	7.50	0.59	14.25	12.75	5	0.65	
8615 (o)	71	I	Disc	16.25x3.50	7.91	4.09	0.44	9.50	11.25	10	0.81	
8615X (o)	71	I	Disc	16.25x3.50	7.91	4.09	0.44	9.50	11.25	10	0.81	
8624 (o)	71	O	Disc	15.00x6.00	7.18	6.75	0.37	12.00	13.50	12	0.81	

I – Inboard Mount
O – Outboard Mount
X – Balanced

(tp) – Patented TruPilot Feature
(o) – OEM captive part number

Drum P/N	Drum Weight	Drum Mount	Wheel Type	Brake Size	Overall Depth	Width of Brake Surface	Backface Thickness	Pilot Dia.	Bolt Circle Dia.	Bolt Holes		Special Information
										No.	Size	
8624X (o)	71	O	Disc	15.00x6.00	7.18	6.75	0.37	12.00	13.50	12	0.81	
8625 (o)	97	O	Disc	17.25x6.00	7.25	6.57	0.62	14.00	15.75	16	0.81	
8625X (o)	97	O	Disc	17.25x6.00	7.25	6.57	0.62	14.00	15.75	16	0.81	
8626 (o)	66	O	Disc	16.00x2.50	5.43	3.31	0.37	12.00	13.50	12	0.81	
8626X (o)	66	O	Disc	16.00x2.50	5.43	3.31	0.37	12.00	13.50	12	0.81	
8632 (o)	80	O	Disc	15.00x6.00	7.44	7.00	0.37	12.00	13.50	12	0.81	
8632X (o)	80	O	Disc	15.00x6.00	7.44	7.00	0.37	12.00	13.50	12	0.81	
8644 (o)	288	I	Disc	20.25x7.00	14.50	8.25	0.81	12.62	15.00	8	1.12	
8644X (o)	288	I	Disc	20.25x7.00	14.50	8.25	0.81	12.62	15.00	8	1.12	
8645 (o)	207	I	Spoke	20.25x7.00	10.28	7.50	0.81	12.75	15.00	8	0.76	
8645X (o)	207	I	Spoke	20.25x7.00	10.28	7.50	0.81	12.75	15.00	8	0.76	
8647X (o)	138	I	Spoke	17.25x7.00	8.38	7.62	0.56	11.00	12.75	6	0.64	
8648X (o)	78	I	Spoke	17.25x5.00	6.44	5.84	0.38	11.00	12.75	6	0.64	
8650 (o)	78	I	Disc	17.25x5.00	6.44	5.84	0.37	11.00	12.75	8	0.64	
8650X (o)	78	I	Disc	17.25x5.00	6.44	5.84	0.37	11.00	12.75	8	0.64	
8653 (o)	105	I	Disc	16.50x7.00	8.50	7.44	0.50	8.66	11.25	10	0.81	Serviced by 3195X.
8653X (o)	105	I	Disc	16.50x7.00	8.50	7.44	0.50	8.66	11.25	10	0.81	Serviced by 3195X.
8654 (o)	74	O	Disc	16.00x3.50	6.21	4.12	0.37	12.00	13.50	12	0.81	
8654X (o)	74	O	Disc	16.00x3.50	6.21	4.12	0.37	12.00	13.50	12	0.81	
8655 (o)	65	O	Disc	16.00x3.50	5.43	4.09	0.37	12.00	13.50	12	0.81	
8655X (o)	65	O	Disc	16.00x3.50	5.43	4.09	0.37	12.00	13.50	12	0.81	
8657 (o)	90	I	Spoke	16.50x6.00	7.12	6.50	0.40	11.00	12.75	6	0.64	
8657X (o)	90	I	Spoke	16.50x6.00	7.12	6.50	0.40	11.00	12.75	6	0.64	
8658X (o)	142	I	Disc	16.50x7.00	8.50	7.31	0.56	8.66	11.25	10	0.81	
8660 (o)	96	O	Disc	16.50x5.00	9.75	5.62	0.56	13.12	11.25	10	1.18	Equally spaced exciter ring mounting.
8660X (o)	96	O	Disc	16.50x5.00	9.75	5.62	0.56	13.12	11.25	10	1.18	Equally spaced exciter ring mounting.
8661X (o)	57	I	Spoke	16.25x3.00	4.87	3.50	0.44	9.50	11.25	6	0.53	
8663X (o)	71	I	Spoke	16.50x5.00	5.75	5.28	0.37	11.00	12.75	6	0.65	
8664X (o)	70	I	Disc	16.50x5.00	5.75	5.28	0.37	11.00	12.75	10	0.65	
8665 (o)	103	O	Disc	15.00x7.00	8.29	7.87	0.37	12.00	13.25	12	0.81	
8665X (o)	103	O	Disc	15.00x7.00	8.29	7.87	0.37	12.00	13.25	12	0.81	
8668 (o)	84	I	Spoke	16.50x6.00	7.56	6.50	0.50	11.00	12.50	5/6	0.65	
8668X (o)	84	I	Spoke	16.50x6.00	7.56	6.50	0.50	11.00	12.50	5/6	0.65	
8669 (o)	101	I	Spoke	16.50x7.00	8.44	7.38	0.50	11.00	12.50	5/6	0.65	
8669X (o)	101	I	Spoke	16.50x7.00	8.44	7.38	0.50	11.00	12.50	5/6	0.65	
8670X (o)	89	I	Disc	15.00x7.00	8.37	7.50	0.50	8.66	11.25	10	0.81	
8671	86	I	Spoke	15.00x7.00	8.37	7.50	0.50	11.00	12.50	5/6	0.65	
8671X	86	I	Spoke	15.00x7.00	8.37	7.50	0.50	11.00	12.50	5/6	0.65	
8673 (o)	201	I	Disc	20.00x7.00	10.00	8.12	1.00	11.74	14.00	14	1.07	
8673X (o)	201	I	Disc	20.00x7.00	10.00	8.12	1.00	11.74	14.00	14	1.07	
8678 (o)	66	I	Disc	15.00x4.00	7.56	5.43	0.44	9.50	11.25	10	0.81	
8678X (o)	66	I	Disc	15.00x4.00	7.56	5.43	0.44	9.50	11.25	10	0.81	
8679X (o)	66	I	Spoke	15.00x4.00	6.00	5.25	0.50	11.00	12.75	6	0.65	
8680 (o)	67	I	Spoke	15.00x4.00	6.00	5.25	0.50	11.00	12.75	6	0.65	
8680X (o)	67	I	Spoke	15.00x4.00	6.00	5.25	0.50	11.00	12.75	6	0.65	
8683 (o)	106	I	Spoke	16.50x7.00	8.03	7.44	0.59	14.25	12.75	5	0.65	
8683X (o)	106	I	Spoke	16.50x7.00	8.03	7.44	0.59	14.25	12.75	5	0.65	
8686 (o)	148	I	Spoke	18.00x7.00	8.24	7.50	0.50	11.00	12.75	6	0.64	Serviced by 3197X.
8687X (o)	150	I	Disc	18.00x7.00	8.25	7.38	0.56	9.50	11.25	10	0.81	
8688 (o)	148	I	Spoke	18.00x7.00	8.25	7.38	0.56	11.00	12.75	6	0.65	Serviced by 3197X.
8688X (o)	148	I	Spoke	18.00x7.00	8.25	7.38	0.56	11.00	12.75	6	0.65	Serviced by 3197X.
8689X (o)	134	I	Spoke	17.00x7.00	8.00	7.34	0.40	11.00	12.75	6	0.65	

I – Inboard Mount (tp) – Patented TruPilot Feature
O – Outboard Mount (o) – OEM captive part number
X – Balanced

Active Part Numbers In Order by Part Number

Active Part Numbers In Order by Size

Obsolete Part Numbers In Order by Part Number

Drum P/N	Drum Weight	Drum Mount	Wheel Type	Brake Size	Overall Depth	Width of Brake Surface	Backface Thickness	Pilot Dia.	Bolt Circle Dia.	Bolt Holes		Special Information
										No.	Size	
8691 (o)	193	I	Spoke	20.25x4.50	10.74	5.06	0.82	12.75	14.50	6	0.87	
8691X (o)	193	I	Spoke	20.25x4.50	10.74	5.06	0.82	12.75	14.50	6	0.87	
8692 (o)	92	I	Disc	16.00x6.00	8.78	6.54	0.42	9.37	11.25	10	0.81	
8692X (o)	92	I	Disc	16.00x6.00	8.78	6.54	0.42	9.37	11.25	10	0.81	
8693 (o)	51	I	Spoke	15.00x3.50	4.42	3.88	0.44	9.00	10.50	5	0.65	
8693X (o)	51	I	Spoke	15.00x3.50	4.42	3.88	0.44	9.00	10.50	5	0.65	
8695 (o)	63	I	Disc	15.00x3.00	7.57	4.06	0.44	9.50	11.25	10	0.81	
8695 (o)	63	I	Disc	15.00x3.50	7.57	4.06	0.44	9.50	11.25	10	0.81	
8695X (o)	63	I	Disc	15.00x3.00	7.57	4.06	0.44	9.50	11.25	10	0.81	
8695X (o)	63	I	Disc	15.00x3.50	7.57	4.06	0.44	9.50	11.25	10	0.81	
8698 (o)	62	I	Spoke	15.00x4.00	5.54	4.44	0.50	9.18	11.25	5	0.65	Equally spaced exciter ring mounting.
8698X (o)	62	I	Spoke	15.00x4.00	5.54	4.44	0.50	9.18	11.25	5	0.65	Equally spaced exciter ring mounting.
8701 (o)	101	O	Disc	15.00x6.00	9.88	6.34	0.50	7.00	8.75	10	0.73	
8701X (o)	101	O	Disc	15.00x6.00	9.88	6.34	0.50	7.00	8.75	10	0.73	
8702 (o)	72	O	Disc	15.00x5.00	8.16	5.50	0.50	7.00	8.75	10	0.73	
8702X (o)	72	O	Disc	15.00x5.00	8.16	5.50	0.50	7.00	8.75	10	0.73	
8704 (o)	83	O	Disc	16.00x5.00	9.38	5.44	0.50	7.00	8.75	10	0.73	
8704X (o)	83	O	Disc	16.00x5.00	9.38	5.44	0.50	7.00	8.75	10	0.73	
8705 (o)	55	I	Spoke	15.00x3.50	5.48	4.38	0.50	9.18	11.25	6	0.65	
8705X (o)	55	I	Spoke	15.00x3.50	5.48	4.38	0.50	9.18	11.25	6	0.65	
8706X (o)	90	I	Disc	16.50x4.00	7.60	4.90	0.56	9.50	11.25	10	0.79	
8710 (o)	88	I	Spoke	15.00x6.00	7.47	6.50	0.56	11.25	12.75	6	0.65	Equally spaced exciter ring mounting.
8710X (o)	88	I	Spoke	15.00x6.00	7.47	6.50	0.56	11.25	12.75	6	0.65	Equally spaced exciter ring mounting.
8711 (o)	104	I	Spoke	17.00x6.00	7.38	6.50	0.56	11.25	12.75	6	0.65	Equally spaced exciter ring mounting.
8711X (o)	104	I	Spoke	17.00x6.00	7.38	6.50	0.56	11.25	12.75	6	0.65	Equally spaced exciter ring mounting.
8712 (o)	106	I	Spoke	16.50x7.00	8.03	7.44	0.59	14.25	12.75	5	0.65	Requires clipped head drum bolts.
8712X (o)	106	I	Spoke	16.50x7.00	8.03	7.44	0.59	14.25	12.75	5	0.65	Requires clipped head drum bolts.
8713 (o)	58	I	Disc	15.00x5.00	7.03	5.50	0.41	9.37	11.25	10	0.81	
8713X (o)	58	I	Disc	15.00x5.00	7.03	5.50	0.41	9.37	11.25	10	0.81	
8714 (o)	142	I	Spoke	16.50x7.00	8.75	7.62	0.56	11.25	12.75	6	0.64	
8714X (o)	142	I	Spoke	16.50x7.00	8.75	7.62	0.56	11.25	12.75	6	0.64	
8715 (o)	84	I	Spoke	16.50x5.00	6.69	5.35	0.56	10.00	12.75	6	0.78	
8716X (o)	76	I	Spoke	15.00x5.00	6.68	5.40	0.56	10.00	12.75	6	0.78	Obsolete - Limited Inventory
8717X (o)	66	I	Disc	15.00x5.00	7.89	5.40	0.44	9.50	11.25	10	0.81	
8718X (o)	87	I	Disc	16.50x5.00	7.88	5.35	0.56	9.50	11.25	10	0.81	
8719X (o)	86	I	Disc	16.50x5.00	6.69	5.35	0.56	10.00	12.75	7	0.78	
8720X (o)	74	I	Disc	15.00x5.00	6.68	5.40	0.56	10.00	12.75	7	0.78	
8721 (o)	216	I	Spoke	20.25x8.00	10.88	8.12	0.81	13.62	16.00	8	0.87	
8721X (o)	216	I	Spoke	20.25x8.00	10.88	8.12	0.81	13.62	16.00	8	0.87	
8726 (o)	59	O	Disc	15.00x5.00	7.04	5.51	0.41	9.37	11.25	10	0.81	
8726X (o)	59	O	Disc	15.00x5.00	7.04	5.51	0.41	9.37	11.25	10	0.81	
9000X	66	O	Disc	15.00x4.00	8.60	4.78	0.31	8.78	11.25	10	1.25	
9001X	69	O	Disc	15.00x4.00	8.99	4.66	0.31	8.78	11.25	10	1.25	
9002X	80	O	Disc	15.00x5.00	8.85	5.38	0.31	8.78	11.25	10	1.25	
9003X	83	O	Disc	15.00x5.00	9.23	5.38		8.78	11.25	10	1.25	
9006X	94	O	Disc	16.50x7.00	10.34	7.66	0.31	8.78	11.25	10	1.00	
9014X	90	I	Disc	16.50x7.00	9.56	7.56	0.31	9.44	11.25	10	0.84	

I – Inboard Mount (tp) – Patented TruPilot Feature
O – Outboard Mount (o) – OEM captive part number
X – Balanced

Drum P/N	Drum Weight	Drum Mount	Wheel Type	Brake Size	Overall Depth	Width of Brake Surface	Backface Thickness	Pilot Dia.	Bolt Circle Dia.	Bolt Holes		Special Information
										No.	Size	
9015X	89	I	Disc	16.50x7.00	8.80	7.50	0.31	9.50	11.25	10	0.81	
9016X	70	O	Disc	15.00x4.00	8.99	4.66	0.31	9.00	10.82	8	1.00	
9019X	107	O	Disc	16.50x8.62	11.12	9.00	0.31	8.78	11.25	10	1.00	
9020X	105	O	Disc	16.50x8.00	10.78	8.66	0.31	8.78	11.25	10	1.00	
9021X	96	O	Disc	16.50x7.00	10.46	7.70	0.31	8.53	11.25	10	0.81	
9022X	94	O	Disc	16.50x7.00	10.10	7.34	0.31	8.53	11.25	10	0.81	
9035X	64	O	Disc	15.00x4.00	8.40	4.58	0.31	8.78	11.25	10	1.25	
9036X	98	O	Disc	16.50x7.00	10.11	7.40	0.31	8.78	11.25	10	1.00	
9041BX	99	O	Disc	16.50x7.00	10.50	7.85	0.31	9.00	10.82	8	1.00	
9041X	99	O	Disc	16.50x7.00	10.50	7.85	0.31	9.00	11.25	10	1.00	

Active Part Numbers In Order by Part Number

Active Part Numbers In Order by Size

Obsolete Part Numbers In Order by Part Number

I – Inboard Mount
 O – Outboard Mount
 X – Balanced
 (tp) – Patented TruPilot Feature
 (o) – OEM captive part number

ACCURIDE LIMITED WARRANTY TO FILE A WARRANTY CLAIM, CALL (800) 869-2275 ext 1

Accuride warrants to the original purchaser or the original end user that its products are free from defects in material and workmanship. The limited warranty time-frame (reference table below) is based on the date of product manufacture and shall be void if the product is altered, modified, misapplied, misused, neglected, repaired or not maintained in accordance with the instructions printed in the product-specific Accuride Safety & Service Manuals⁽²⁾.

GENERAL PRODUCT OVERVIEW

Product Type	8 years/ 96 months	5 years/ 60 months	2 years/ 200,000 miles ⁽¹⁾	1 year/ 12 months
Accuride Aluminum Wheels ⁽²⁾		Industry Standard Aluminum Wheels Duplex [®] Aluminum Wheels ACCU-SHIELD [®] Wheels ACCU-ARMOR [™] Wheels ProShield Black Wheels	Flange Wear on ACCU-FLANGE [™] Wheels	
Accuride Steel Wheels ⁽²⁾	EverSteel ^{®(7)} Corrosion Only ⁽⁶⁾	Extra Service Wheels [™] (ESW) Styled Steel Wheels Tubeless Wheels and Demountable Rims Steel Armor [™] ⁽⁶⁾		ProFinish [™] Corrosion Only ⁽⁶⁾ Duplex [®] Steel Disc Wheels Duplex [®] Demountable Rims Tube-Type Wheels & Demountable Rims Light Truck Wheels Steel Bolt-Together Specialty Wheel

Product Type	6 years/ 1,000,000 miles ⁽¹⁾	5 years/ 500,000 miles ⁽¹⁾	4 years/ 400,000 miles ⁽¹⁾	3 years/ 350,000 miles ⁽¹⁾	3 years/ 300,000 miles ⁽¹⁾	2 years/ 200,000 miles ⁽¹⁾	Limited Warranty ⁽²⁾
Gunite Slack Adjusters ⁽²⁾	Over-The-Road/Line Operated Trucks and Trailers ⁽⁴⁾	Over-The Road/Line Operated Trucks and Trailers ⁽³⁾	School Bus/City Delivery Vehicles ⁽⁴⁾		School Bus/City Delivery Vehicles ⁽³⁾ Severe Service: Garbage/ Refuse Trucks, Fire Trucks, Logging, etc. ⁽⁶⁾	Severe Service: Garbage/Refuse Trucks, Fire Trucks, Logging, etc. ⁽³⁾	
Gunite Hubs ⁽²⁾		TRU-SET [®] Trailer		TRU-SET [®] Front/Steer TRU-SET [®] Rear/Drive			Industry Standard Hubs
Gunite Brake Drums ⁽²⁾							Industry Standard Brake Drums
Gunite Disc Brake Rotors ⁽²⁾⁽⁵⁾							Industry Standard Disc Brake Rotors
Gunite Spoke Wheels ⁽²⁾							Industry Standard Spoke Wheels

(1) Time or miles, whichever occurs first. Time is measured from date of manufacture.

(2) See Remedies and Limitations of Remedies and refer to appropriate Accuride guide for additional limited warranty condition details: Accuride Rim/Wheel Safety & Service Manual, Gunite Heavy-Duty Brake Drums, Gunite Automatic Slack Adjuster Service Manual, Gunite Disc Brake Rotors Maintenance Manual, and Gunite Disc Wheel Hubs, High-Performance Hubs, Spoke Wheels Maintenance & Installation Manual, and Steel Wheel Refinishing Criteria.

(3) Manufactured prior to April 6, 2015.

(4) Manufactured on or after April 6, 2015.

(5) Limited warranty for life of product.*

* "Life of product" means such period until the product has reached its maximum/minimum brake surface limitation. Product remains subject to the terms and conditions in this limited warranty, including the provisions on additional product warranty criteria and remedies and limitation of remedies.

(6) Designated steel wheels are covered by a limited warranty to be free of "rust damage" from the date of manufacture indicated on the wheel: ProFinish[™] for twelve (12) months, Steel Armor[™] for sixty (60) months. Rust damage is defined as rust sufficient to require refinishing as determined by Accuride in accordance with the most current version of Accuride's technical bulletin W2.043 Steel Wheel Refinishing Criteria. The Steel Armor[™] warranties do not cover, and expressly exclude, rust in the crevice between the disc and the rim. The Steel Armor[™] coating limited warranties herein apply to wheels manufactured by Accuride on or after January 1, 2017.

(7) Limited availability.

ACCURIDE LIMITED WARRANTY TO FILE A WARRANTY CLAIM, CALL (800) 869-2275 ext 1 ADDITIONAL PRODUCT SPECIFIC LIMITED WARRANTY CRITERIA

Wheels and Rims: The warranty shall be void if the product is used with improper tire sizes, inflation pressures, or exceeded load ratings. The warranty shall be void if the product is not properly maintained in accordance with the Accuride Rim/Wheel Safety & Service Manual. The warranty does not cover defects resulting from corrosion except as stated elsewhere in this document, other non-Accuride components, accident, excessive speed or other abnormal or severe operating conditions.

ACCU-ARMOR™, ACCU-SHIELD®, ACCU-FLANGETM, STEEL ARMOR™, PROFINISH™, PROSHIELD XGTTM and PROSHIELD BLACK™ and EVERSTEEL®: Accuride does not cover the following conditions: (i) Any damage in the areas of the mounting surfaces, such as the area under the mounting nuts, the area in contact with hubs or drums and the area in contact with other wheels in dual position, (ii) Any damage due to cleaning, including damage from the use of abrasives, abrasive brushes, steel wool, scouring pads, strong chemicals or corrosion except as stated elsewhere in this document, and/or (iii) Any damage to the wheel finish due to wheel/tire assembly, removal, balancing weight, misuse, or chipping, whether by contact with road obstacles such as stones, gravel, curbs, barriers, signs, tire changing equipment or otherwise. ACCU-SHIELD®, PROSHIELD XGTTM and PROSHIELD BLACK™ products are not covered for corrosion. ACCU-FLANGE® products, after washing, can have wheel polish or carnauba wax applied with a 100% cotton cloth. The STEEL ARMOR™ and EVERSTEEL® warranties are void with respect to, and expressly exclude, all wheels that have been refinished or refurbished and, for wheels used without an Accuride Wheel-Guard®, the disc face and any other areas impacted by this failure. The EVERSTEEL® limited warranty is void with respect to, and expressly excludes wheels that have had the serial number sticker removed or defaced. The STEEL ARMOR™, PROFINISH™, and EVERSTEEL® warranties expressly exclude and do not cover (a) paint appearance, paint integrity, or paint adhesion to the wheels due to chipping effect and (b) corrosion in the crevice between the wheel disc and rim. Accuride recommends cleaning wheels with mild soap and water.

Standard Brake Drums, Spoke Wheels, Disc Wheel Hubs, Automatic Slack Adjusters, and Hardware: The above warranty shall be void if (i) any goods have exceeded Accuride's acceptable wear limits or have been subjected to accidents or abnormal conditions of use, temperature, moisture, dirt or corrosive matter, or (ii) the product fails as the result of another manufacturer's product. The TRU-SET® disc wheel hub requires the use of a seller-approved hubcap and lubricant.

REMEDIES AND LIMITATIONS OF REMEDIES

In the event of any material breach of the above limited warranties, Accuride agrees to repair or replace,* at its sole option, without charge any and all of its warrantable product that fail during normal use and service due to defects in material and/or workmanship, all subject to the original purchaser providing written notice of the alleged breach within 30 days of failure. Time is of the essence herein, and original purchaser's failure to provide written notice to Accuride within the required time of any alleged breach of the foregoing warranty will release and discharge Accuride from any obligation or liability for that breach of warranty. In no event will Accuride be liable for any other costs associated with the replacement or repair of product covered under this warranty, including labor, installation or other costs incurred by customer.

* - NOTWITHSTANDING THE ABOVE, THE SOLE REMEDY UNDER THE STEEL ARMOR™ and EVERSTEEL® WARRANTIES SHALL BE THE PAYMENT OF US \$35 FOR STEEL ARMOR™ AND US \$45 FOR EVERSTEEL® OR THE REPAIR OR REPLACEMENT OF THE WHEEL (AT ACCURIDE'S SOLE OPTION) IF A WARRANTABLE PRODUCT FAILS DURING NORMAL USE AND SERVICE DUE TO DEFECTS IN MATERIAL AND/OR WORKMANSHIP. Only one claim per wheel may be paid under the Steel Armor™ warranties. The remedy described in this paragraph is Accuride's sole and exclusive obligation under these warranties and in no event will Accuride be liable for special, incidental or consequential damages. Customer must timely report the breach of warranty and demonstrate warrantability under the then applicable procedures during the warranty period. The remedies set forth herein shall be the sole and exclusive remedies available to the original purchaser so that Accuride repair, replacement, or payment as described above is a fulfillment of all Accuride obligations. Accuride SHALL NOT BE LIABLE FOR ANY CONSEQUENTIAL OR INCIDENTAL DAMAGES OF ANY KIND. FURTHER, UNDER NO CIRCUMSTANCE SHALL ACCURIDE BE LIABLE FOR DAMAGES BEYOND THE PRICE OF THE GOODS PURCHASED BY THE ORIGINAL PURCHASER, WHETHER IN CONTRACT, IN TORT OR UNDER ANY WARRANTY OR OTHER USE.

Accuride reserves the right to require product return and/or washing (as previously noted) prior to warranty assessment as a condition of eligibility for warranty remedies. Product return expense must be paid by the product owner and if the product is found warrantable, reasonable freight expenses may be reimbursed by Accuride. No goods are to be returned to Accuride without a Returned Goods Authorization (RGA). If Accuride determines that any of the returned goods are non-warrantable, Accuride reserves the right to charge the original purchaser for the recovery of all transportation costs and expenses incurred in examining, processing and handling such goods. Any controversy or claim that customer may wish to bring that is arising out of or related to this limited warranty or breach hereof must be commenced in writing within 30 days of notification of warrantable status or shall be deemed to be waived.

Any product deemed non-warrantable is the property of the original purchaser and can be returned to the original purchaser upon its request and at its sole cost and expense. Should the non-warrantable item(s) not be reclaimed, Accuride will disposition the product no sooner than 30 days after original purchaser notification has been made.

For all warranty related questions, please contact your Accuride warranty administrator at (800) 869-2275 Option 1 or submit questions or claims to warrantyadmin@accuridecorp.com.

THE ABOVE WARRANTY IS THE SOLE AND EXCLUSIVE WARRANTY GIVEN BY ACCURIDE AND IS IN LIEU OF ALL OTHER WARRANTIES EXPRESSED, STATUTORY OR IMPLIED, INCLUDING WARRANTIES OF MERCHANTABILITY AND FITNESS FOR A PARTICULAR PURPOSE, ALL OF WHICH ARE EXPRESSLY DISCLAIMED BY ACCURIDE. IN NO EVENT SHALL THIS WARRANTY BE DEEMED TO COVER INCIDENTAL, SPECIAL, INDIRECT OR CONSEQUENTIAL DAMAGES OF ANY KIND.

Your single source for industry-leading wheel end solutions.

STEEL & ALUMINUM WHEELS | DRUMS | HUBS | ROTORS | SLACK ADJUSTERS

For more information: **(800) 823-8332 | accuridecorp.com**

Accuride | 38777 Six Mile Road, Suite 410 | Livonia, MI 48152 USA

