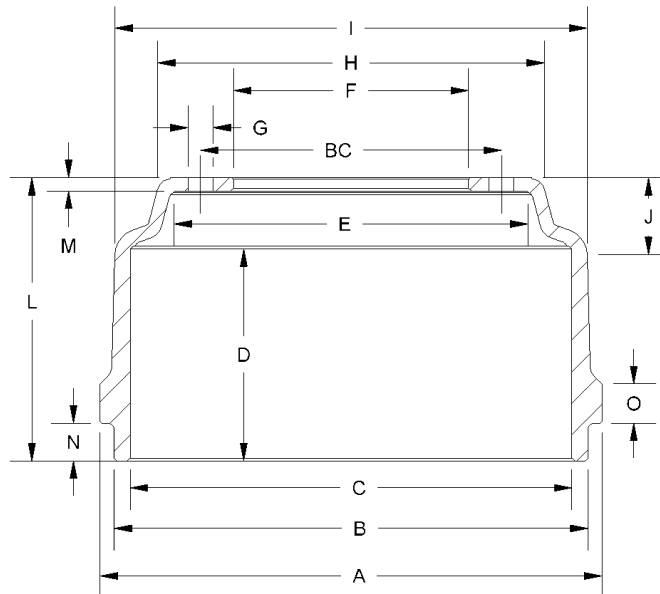


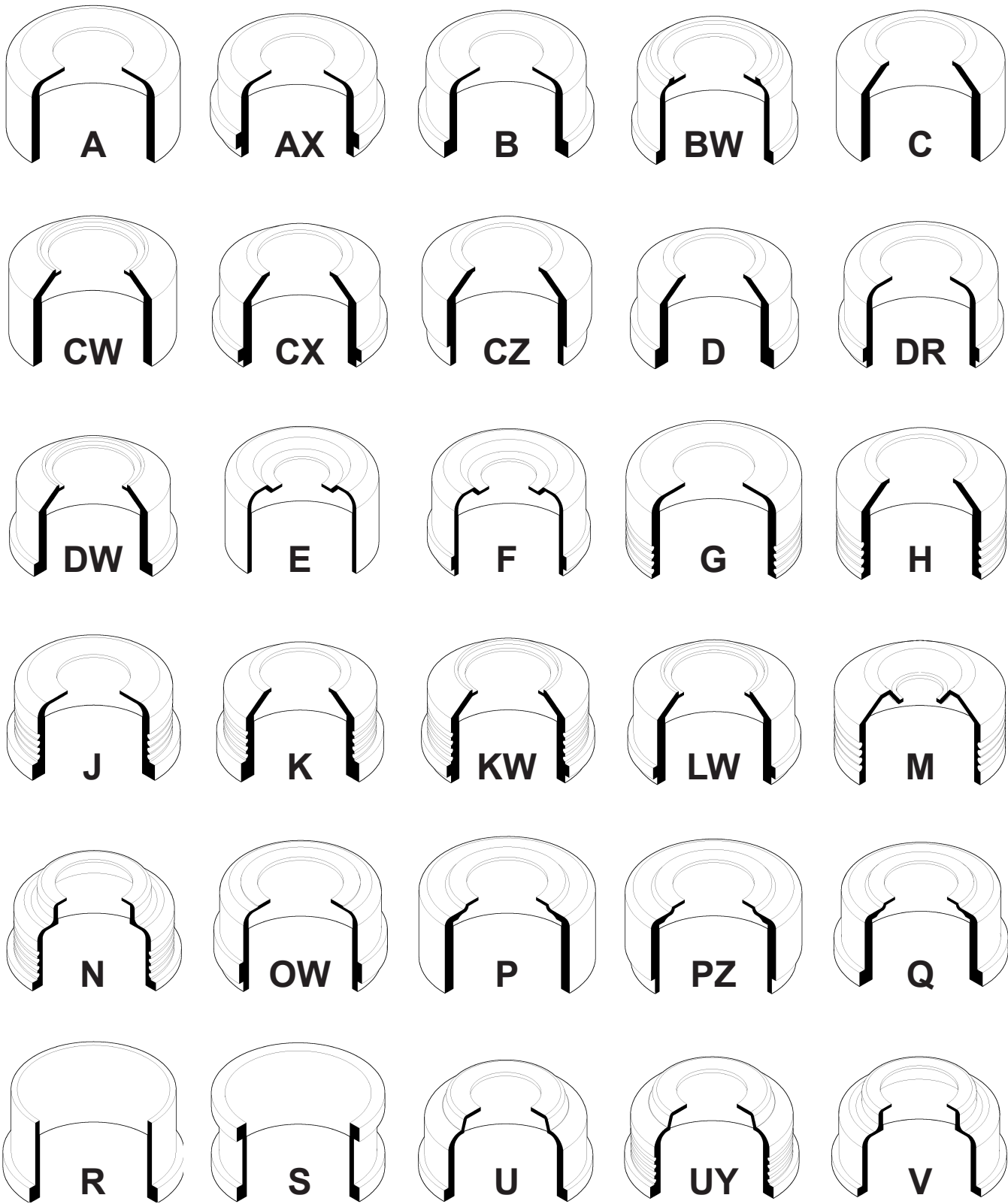
EXAMPLE:

60001-01: 60001 Casting, completely machined and drilled with single drilling operation
 60001-018: Same as 60001-01 except machine balanced to 10 oz. in.

Brake Drum Nomenclature



- | | | | |
|-----------|---------------------------------------|------------|------------------------------------|
| A. | Overall Diameter | I. | Diameter at Taper |
| B. | Dust Shield Recess Diameter | J. | Distance of Face to Taper |
| C. | Brake Face Diameter | BC. | Bolt Circle Diameter |
| D. | Brake Face Width | L. | Overall Height |
| E. | Inside Finished Diameter | M. | Flange Thickness |
| F. | Hub Pilot Diameter | N. | Depth of Dust Shield Recess |
| G. | Bolt Hole Diameter, Number | O. | Squealer Band Thickness |
| H. | Diameter to Beginning of Taper | | |



The combination of a suffix with any of the above types indicates the same type with:

V = Vertical Ribs

D = Dust Shield Recess

F = Fins



Brake Drum Dimensional Data (By PN)

Drum PN	Type	Weight	Brake Face Dia	Brake Face Width	Overall Depth	Hub Pilot	Bolt Hole Circle	Bolt Holes		Special Info
								No.	Dia.	
51283-14	D	98	14.46	5.50	8.31	9.44	11.25	10	1.31	6, BAL, Obsolete
51421-01	P	66	17.25	4.68	7.50	9.88	11.25	10	0.81	
51952-11	D	108	16.5	7.30	8.13	11.00	12.75	5 & 6	0.64	
51961-10	CX	105	16.5	7.50	8.44	11.00	12.50	5 & 6	0.66	Obsolete
52020-01	CX	99	16.5	7.63	9.50	9.44	11.25	10	0.83	
52120-12	CX	101	16.5	7.44	8.44	11.25	12.75	5 & 6	0.78	
52120-128	CX	101	16.5	7.44	8.44	11.25	12.75	5 & 6	0.78	BAL - Special Order
52230-10	CX	105	16.5	7.50	8.39	9.44	11.00	5 & 6	0.78 & 0.66	
52327-10	DR	108	16.5	7.50	8.75	9.50	11.25	10	0.81	
52327-11	DR	108	16.5	7.50	8.75	9.50	11.25	5 & 6	0.81 & 0.64	Obsolete - use 54249-01
52336-108	K	169	14.5	10.56	12.81	9.44	11.25	10	1.31	1[5 holes],3,5,7,10, 12.75" Pilot, BAL
52336-148	K	169	14.5	10.56	12.81	9.44	11.25	10	1.31	1[5 holes],3,5,6,7,12.75" Pilot, BAL
52472-128	K	79	14.5	5.31	8.00	9.44	11.25	10	1.31	1[5 holes],3,5,7,12.75" Pilot, BAL
52480-108	K	125	14.5	8.44	11.50	9.44	11.25	10	1.28	1[5 holes],3,5,13" Pilot, BAL, Obsolete
52511-01	CX	79	12.25	8.00	9.04	7.00	8.25	6	0.66	
52647-11	OW	94	16.5	7.38	8.25	11.25	12.75	5 & 6	0.66	Obsolete - use 54264-01
52705-30	CX	114	16.5	7.81	10.61	9.00	11.25	10	0.81	
52705-308	CX	114	16.5	7.82	10.61	9.00	11.25	10	0.81	BAL
52743-11	CX	66	12.25	7.89	8.88	8.50	10.00	3 & 6	0.69	
52757-308	D	112	14.5	5.31	8.00	9.44	11.25	10	1.31	1[5 holes],12.75" Pilot, BAL, Obsolete
52824-138	K	113	14.5	6.44	8.69	9.44	11.25	10	1.31	1[5holes],3,5,7,12.75"Pilot, BAL
52824-148	K	113	14.46	6.44	8.69	9.44	11.25	10	1.31	1[5holes],3,5,6,12.75"Pilot, BAL - Special Order
52877-11	CX	121	16.5	7.52	10.75	9.44	11.25	10	0.81	1 [3 holes]
52878-01	CX	105	16.5	7.51	10.44	8.53	11.25	10	0.81	Cast-in Grease Slinger
52890-13	CX	103	16.5	7.63	8.75	10.50	12.75	5 & 6	0.78	
52918-01	CX	167	16.5	10.56	13.38	8.53	11.25	10	0.80	Obsolete
52919-017	CX	110	16.5	6.50	9.81	9.00	11.25	10	1.31	Obsolete
52965-117	D	205	15.13	10.48	12.38	9.44	11.25	10	1.31	Obsolete
52965-119	D	205	15.13	10.48	12.38	9.44	11.25	10	1.31	BAL
52966-108	D	134	15.13	6.69	8.66	9.44	11.25	10	1.31	1[5holes],5,10,12.75"Pilot, BAL
52975-118	E	83	16.14	6.63	8.38	11.73	13.19	40	0.94	Obsolete - Use 54298-118
52976-118	E	110	16.14	9.19	11.84	11.73	13.19	45	0.94	Obsolete- Use 54299-118
52981-018	CX	88	15	4.44	8.76	9.00	11.25	10	1.28	BAL, Obsolete
53026-01	CX	114	16.5	7.81	10.63	8.53	11.25	10	0.81	
53026-018	CX	114	16.5	7.81	10.63	8.53	11.25	10	0.81	BAL, Special Order
53033-30	U	114	16.5	7.63	10.63	9.00	10.83	8	1.00	
53039-01	CX	74	12.25	8.31	10.47	7.13	8.75	10	0.81	
53039-11	CX	74	12.25	8.25	10.47	7.13	8.75	6	0.81	
53075-018	U	79	15	4.89	8.87	8.78	11.25	10	0.94	BAL
54201-108	H	84	15	4.78	8.86	8.78	11.25	10	1.28	BAL
54202-01	K	110	16.5	7.36	10.30	8.78	11.25	10	1.00	

1- Outboard Mount, 2-Outside Hub Fit, 3-Circular Ribs, 4-Vertical Ribs, 5-Vents, 6 Undersized Brake Face, 7-Drilled for Noise Dampener, 8-Drilled for Electric Brakes, 9-Drilled for 121 Exciter, 10-Notched for 121 Exciter - **Obsolete pn's available until current stock depleted**

Brake Drum Dimensional Data (By PN)



Drum PN	Type	Weight	Brake Face Dia	Brake Face Width	Overall Depth	Hub Pilot	Bolt Hole Circle	Bolt Holes		Special Info
								No.	Dia.	
54203-01	AX	137	18	7.48	8.24	11.00	12.75	6	0.66	
54207-018	G	69	15	4.43	5.84	9.25	11.25	5 & 6	0.78	BAL
54208-01	K	118	16.5	7.34	8.13	8.53	11.25	10	0.81	
54209-018	K	112	16.5	7.44	10.31	9.00	11.25	10	0.87	BAL
54210-018	B	105	16.5	6.32	7.44	11.25	12.75	6	0.78	BAL
54212-01	L	117	16.5	7.26	9.69	8.78	11.25	10	1.28	Obsolete
54213-01	Q	114	16.5	7.40	11.18	8.78	11.25	10	1.00	
54213-018	Q	114	16.5	7.40	11.18	8.78	11.25	10	1.00	BAL
54214-018	L	87	15	5.50	9.22	8.78	11.25	10	1.28	BAL
54215-01	AX	79	12.25	7.96	9.07	8.50	10.00	6	0.66	Obsolete
54216-01	Q	90	16.5	5.47	8.10	8.78	11.25	10	1.28	BAL
54216-018	Q	90	16.5	5.47	8.10	8.78	11.25	10	1.28	BAL
54217-018	AX	87	16.5	5.23	6.41	10.00	12.75	5 & 6	0.78	BAL
54224-018	KFD	70	15	4.77	8.86	8.78	11.25	10	1.00	BAL
54226-018	QFD	131	16.5	6.75	9.88	9.00	11.25	10	1.25	10, BAL, Obsolete
54228-01	UF	103	15	9.90	12.20	8.78	11.25	10	1.00	Approved for 19.5" disc wheels
54228-018	UF	103	15	9.90	12.20	8.78	11.25	10	1.00	BAL, Approved for 19.5" disc wheels
54229-01	QFD	117	16.5	8.98	11.41	8.78	11.25	10	1.00	
54229-018	QFD	117	16.5	9.00	11.39	8.78	11.25	10	1.00	BAL
54230-01	CX	145	18	7.56	8.87	11.25	12.75	6 & 6	0.78 & 0.65	
54231-018	U	181	16.5	9.44	11.56	11.25	13.19	10	1.06	BAL
54232-018	U	147	16.5	9.16	11.28	11.25	13.19	10	1.06	BAL
54234-018	K	117	16.5	7.48	10.82	8.78	11.25	10	1.00	BAL
54236-018	K	134	16.5	8.87	11.46	8.78	11.25	10	0.94	BAL, Obsolete
54238-018	U	101	16.5	5.29	9.14	8.78	11.25	10	1.25	BAL
54240-01	U	107	16.5	6.77	9.65	11.25	13.19	10	0.94	Obsolete
54241-018	CX	83	15	4.84	8.84	9.00	11.25	10	1.28	BAL
54242-018	CX	126	16.5	6.47	9.76	8.78	11.25	10	1.00	BAL
54243-018	U	88	15	4.50	9.04	9.00	11.25	10	1.25	BAL
54244-01	AX	89	12.25	9.84	11.22	9.00	10.83	8	1.00	
54244-018	AX	89	12.25	9.84	11.22	9.00	10.83	8	1.00	BAL
54248-018	U	106	16.5	6.41	9.76	8.78	11.25	10	1.31	BAL
54248-308	U	106	16.5	6.41	9.76	9.00	11.25	10	1.31	BAL
54249-01	OW	105	16.5	7.49	8.74	9.50	11.25	5 & 6	0.82 & 0.65	
54250-01	UD	117	16.5	7.44	10.59	11.25	13.19	10	1.00	
54250-018	UD	117	16.5	7.44	10.59	11.25	13.19	10	1.00	BAL
54251-01	UD	139	16.5	9.15	12.37	11.25	13.19	10	0.94	
54253-018	AX	145	16.14	9.03	10.85	11.10	13.19	10	0.91	BAL
54256-018	CX	46	12.8	4.25	6.52	6.52	8.07	6	0.73	1.5, BAL
54257-018	U	99	16.5	5.50	8.56	8.78	11.25	10	1.00	BAL
54258-018	U	103	16.5	6.57	9.44	11.25	13.19	10	1.00	BAL
54259-018	CX	85	15	5.47	9.22	9.00	11.25	10	1.28	BAL

1- Outboard Mount, 2-Outside Hub Fit, 3-Circular Ribs, 4-Vertical Ribs, 5-Vents, 6 Undersized Brake Face, 7-Drilled for Noise Dampener, 8-Drilled for Electric Brakes, 9-Drilled for 121 Exciter, 10-Notched for 121 Exciter - **Obsolete pn's available until current stock depleted**



Brake Drum Dimensional Data (By PN)

Drum PN	Type	Weight	Brake Face Dia	Brake Face Width	Overall Depth	Hub Pilot	Bolt Hole Circle	Bolt Holes		Special Info
								No.	Dia.	
54261-018	U	125	16.5	7.60	10.59	8.78	11.25	10	1.00	BAL
54264-01	F	91	16.5	7.19	8.19	11.25	12.75	5 & 6	0.78 & 0.66	11.25 Hub Bore
54266-018	OW	124	16.5	6.50	9.75	8.53	11.25	10	1.28	BAL
54267-018	V	126	16.5	7.46	10.37	8.78	11.25	10	0.94	BAL
54268-018	V	103	16.5	6.62	9.65	11.25	13.19	10	1.00	4, BAL
54268-128	V	103	16.5	6.62	9.65	11.25	13.19	10	1.00	BAL
54269-01	U	122	16.5	8.61	11.10	8.75	11.25	10	1.03	Special Order
54269-018	U	122	16.5	8.61	11.10	8.75	11.25	10	1.03	BAL
54270-018	B	118	15	9.29	11.77	8.78	11.25	10	1.00	BAL
54271-01	V	106	15	7.75	10.59	8.78	11.25	10	0.94	Obsolete
54272-018	OW	75	15	4.78	8.98	8.75	11.25	10	0.81	BAL
54275-018	OW	101	16.5	5.52	9.22	9.00	11.25	10	1.28	BAL
54276-018	G	81	15	4.54	9.04	8.78	11.25	10	1.00	BAL, Obsolete
54280-018	K	180	14.5	10.51	12.81	9.44	11.25	10	1.31	10, 12.75 Pilot Dia., BAL
54281-018	K	111	14.5	6.46	8.69	9.44	11.25	10	1.31	12.75 Pilot Dia., BAL
54282-018	AX	75	15.00	6.26	9.47	8.78	11.25	10	0.94	1
54284-01	AX	120	15.5	8.38	10.69	11.06	13.19	10	1.03	Obsolete
54286-018	CX	136	16.14	9.12	11.81	14.41	13.19	10	0.93	11.73 Hub Bore, BAL
54289-018	AX	46	12.8	6.14	6.54	9.00	10.83	8	1.00	BAL
54290-018	U	183	16.5	10.69	13.19	8.78	11.25	10	1.00	BAL
54292-018	U	123	16.5	6.67	9.88	8.78	11.25	10	1.00	BAL
54293-018	CX	79	15	4.58	9.04	8.78	11.25	10	1.28	BAL
54294-018	U	136	16.5	9.70	12.39	9.00	10.83	8	1.00	BAL, Obsolete
54295-018	U	79	15	6.64	9.85	8.78	11.25	10	1.00	1, BAL
54296-018	U	80	15	5.40	9.31	8.78	11.25	10	1.00	BAL
54298-118	OW	90	16.14	6.63	8.43	11.73	13.19	10	0.87	BAL
54299-118	U	130	16.14	9.19	11.81	11.74	13.19	10	0.91	BAL
54301-018	U	130	16.5	6.73	9.54	8.78	11.25	10	1.28	BAL
54304-01	UD	200	18	7.67	11.95	11.25	13.19	10	1.06	
54727-01	U	132	16.5	9.63	12.39	8.78	11.25	10	1.00	
555-01811	L	141	18	7.88	9.75	11.25	13.19	10	1.06	Special Order
555-18006B	QD	138	18	7.50	8.75	9.50	11.25	6	0.75	Banded, Special Order
555-20057B	A	238	20	8.56	12.63	11.00	13.19	10	1.06	Banded, Special Order
555-2005B	A	242	20	8.50	12.50	10.63	13.19	10	1.06	Banded, Special Order
555-2009B	D	198	20	8.52	10.25	10.63	13.19	6	0.81	Banded, Special Order
555-2021B	D	209	20	7.41	9.25	13.25	15.00	12	0.78	13.50" Pilot, Banded, Special Order
555-2023	D	240	20	8.61	10.94	13.25	15.00	12	0.78	13.50" Pilot, Special Order
555-2027	P	218	20	8.61	10.94	11.00	12.50	12	0.66	11.25" Pilot, Special Order
555-2035B	QD	190	20	9.00	11.00	9.50	11.25	6	0.66	Banded, Special Order
60000-018	U	102	16.5	7.56	10.56	8.78	11.25	10	1.00	BAL
60001-01	U	108	16.5	7.56	10.62	8.78	11.25	10	1.00	
60001-018	U	108	16.5	7.56	10.62	8.78	11.25	10	1.00	BAL
80000-018	U	88	16.5	7.56	10.43	8.78	11.25	10	1.00	BAL - Steel Shell Composite

Brake Drum Dimensional Data (By Brake Shoe Size)

Brake Shoe Size	Drum PN	Brake Face Dia	Brake Face Width	Overall Depth	Hub Pilot	Bolt Hole Circle	Bolt Holes		Type	Weight	Special Info
							No.	Dia.			
12.25 x 7.5	52511-01	12.25	8.00	9.04	7.00	8.25	6	0.66	CX	79	
	52743-11	12.25	7.89	8.88	8.5	10.00	3 & 6	0.69	CX	66	
	54215-01	12.25	7.96	9.07	8.5	10.00	6	0.66	AX	79	Obsolete
12.25 x 8	53039-01	12.25	8.31	10.47	7.13	8.75	10	0.81	CX	74	
	53039-11	12.25	8.25	10.47	7.13	8.75	6	0.81	CX	74	
	54244-01	12.25	9.84	11.22	9.00	10.83	8	1.00	AX	89	
	54244-018	12.25	9.84	11.22	9.00	10.83	8	1.00	AX	89	BAL
12.8 x 3.93 (325mm x 100mm)	54256-018	12.8	4.25	6.52	6.52	8.07	6	0.73	CX	46	1,5, BAL
12.8 x 4	54289-018	12.8	6.14	6.54	9.00	10.83	8	1.00	AX	46	BAL
14.5 x 10	52336-108	14.5	10.56	12.81	9.44	11.25	10	1.31	K	169	1[5 holes],3,5,7,10, 12.75" Pilot, BAL
	52336-148	14.5	10.56	12.81	9.44	11.25	10	1.31	K	169	1[5 holes],3,5,6,7,12.75" Pilot, BAL
	54280-018	14.5	10.51	12.81	9.44	11.25	10	1.31	K	180	10, 12.75 Pilot Dia., BAL
14.5 x 5	51283-14	14.46	5.50	8.31	9.44	11.25	10	1.31	D	98	6, BAL, Obsolete
	52472-128	14.5	5.31	8.00	9.44	11.25	10	1.31	K	79	1[5 holes],3,5,7,12.75" Pilot, BAL
	52757-308	14.5	5.31	8.00	9.44	11.25	10	1.31	D	112	1[5 holes],12.75" Pilot, BAL, Obsolete
14.5 x 6	52824-138	14.5	6.44	8.69	9.44	11.25	10	1.31	K	113	1[5holes],3,5,7,12.75"Pilot, BAL
	52824-148	14.46	6.44	8.69	9.44	11.25	10	1.31	K	113	1[5holes],3,5,6,12.75"Pilot, BAL - Special Order
	54281-018	14.5	6.46	8.69	9.44	11.25	10	1.31	K	111	12.75 Pilot Dia., BAL
14.5 x 8	52480-108	14.5	8.44	11.5	9.44	11.25	10	1.28	K	125	1[5 holes],3,5,13" Pilot, BAL, Obsolete
15 x 4	52981-018	15	4.44	8.76	9.00	11.25	10	1.28	CX	88	BAL, Obsolete
	53075-018	15	4.89	8.87	8.78	11.25	10	0.94	U	79	BAL
	54201-108	15	4.78	8.86	8.78	11.25	10	1.28	H	84	BAL
	54207-018	15	4.43	5.84	9.25	11.25	5 & 6	0.78	G	69	BAL
	54224-018	15	4.77	8.86	8.78	11.25	10	1.00	KFD	70	BAL
	54241-018	15	4.84	8.84	9.00	11.25	10	1.28	CX	83	BAL
	54243-018	15	4.50	9.04	9.00	11.25	10	1.25	U	88	BAL
	54272-018	15	4.78	8.98	8.75	11.25	10	0.81	OW	75	BAL
	54276-018	15	4.54	9.04	8.78	11.25	10	1.00	G	81	BAL, Obsolete
15 x 5	54293-018	15	4.58	9.04	8.78	11.25	10	1.28	CX	79	BAL
	54214-018	15	5.50	9.22	8.78	11.25	10	1.28	L	87	BAL
	54259-018	15	5.47	9.22	9.00	11.25	10	1.28	CX	85	BAL
15 x 6	54296-018	15	5.40	9.31	8.78	11.25	10	1.00	U	80	BAL
	54295-018	15	6.64	9.85	8.78	11.25	10	1.00	U	79	1, BAL
	54282-018	15	6.26	9.47	8.78	11.25	10	0.94	AX	75	1
15 x 7	54271-01	15	7.75	10.59	8.78	11.25	10	0.94	V	106	Obsolete

1- Outboard Mount, 2-Outside Hub Fit, 3-Circular Ribs, 4-Vertical Ribs, 5-Vents, 6 Undersized Brake Face, 7-Drilled for Noise Dampener, 8-Drilled for Electric Brakes, 9-Drilled for 121 Exciter, 10-Notched for 121 Exciter - **Obsolete pn's available until current stock depleted**

KIC Brake Drum Dimensional Data (By Brake Shoe Size)

Brake Shoe Size	Drum PN	Brake Face Dia	Brake Face Width	Overall Depth	Hub Pilot	Bolt Hole Circle	Bolt Holes		Type	Weight	Special Info
							No.	Dia.			
15 x 8.62	54228-01	15	9.90	12.2	8.78	11.25	10	1.00	UF	103	Approved for 19.5" disc wheels
	54228-018	15	9.90	12.2	8.78	11.25	10	1.00	UF	103	BAL, Approved for 19.5" disc wheels
	54270-018	15	9.29	11.77	8.78	11.25	10	1.00	B	118	BAL
15.125 x 10	52965-117	15.13	10.48	12.38	9.44	11.25	10	1.31	D	205	Obsolete
	52965-119	15.13	10.48	12.38	9.44	11.25	10	1.31	D	205	BAL
15.125 x 6	52966-108	15.13	6.69	8.66	9.44	11.25	10	1.31	D	134	1[Shoes],5,10,12.75"Pilot, BAL
15.5 x 8	54284-01	15.5	8.38	10.69	11.06	13.19	10	1.03	AX	120	Obsolete
16.14 x 6	52975-118	16.14	6.63	8.38	11.73	13.19	10	0.91	U	83	Obsolete - Use 54298-118
	54298-118	16.14	6.63	8.43	11.73	13.19	10	0.87	OW	90	BAL
16.14 x 8.62	52976-118	16.14	9.19	11.81	11.73	13.19	15	0.91	U	110	Obsolete- Use 54299-118
	54253-018	16.14	9.03	10.85	11.1	13.19	10	0.91	AX	145	BAL
	54286-018	16.14	9.12	11.81	14.41	13.19	10	0.93	CX	136	11.73 Hub Bore, BAL
16.14 x 9	54299-118	16.14	9.19	11.81	11.74	13.19	10	0.91	U	130	BAL
16.5 x 10	52918-01	16.5	10.56	13.38	8.53	11.25	10	0.8	CX	167	Obsolete
	54290-018	16.5	10.69	13.19	8.78	11.25	10	1.00	U	183	BAL
16.5 x 4	54217-018	16.5	5.23	6.41	10	12.75	5 & 6	0.78	AX	87	BAL
16.5 x 5	54216-01	16.5	5.47	8.10	8.78	11.25	10	1.28	Q	90	Obsolete - Use 54216-018
	54216-018	16.5	5.47	8.10	8.78	11.25	10	1.28	Q	90	BAL
	54238-018	16.5	5.29	9.14	8.78	11.25	10	1.25	U	101	BAL
	54257-018	16.5	5.50	8.56	8.78	11.25	10	1.00	U	99	BAL
	54275-018	16.5	5.52	9.22	9.00	11.25	10	1.28	OW	101	BAL
16.5 x 6	52919-017	16.5	6.50	9.81	9.00	11.25	10	1.31	CX	110	Obsolete
	54210-018	16.5	6.32	7.44	11.25	12.75	6	0.78	B	105	BAL
	54226-018	16.5	6.75	9.88	9.00	11.25	10	1.25	QFD	131	10, BAL, Obsolete
	54240-01	16.5	6.77	9.65	11.25	13.19	10	0.94	U	107	Obsolete
	54242-018	16.5	6.47	9.76	8.78	11.25	10	1.00	CX	126	BAL
	54248-018	16.5	6.41	9.76	8.78	11.25	10	1.31	U	106	BAL
	54248-308	16.5	6.41	9.76	9.00	11.25	10	1.31	U	106	BAL
	54258-018	16.5	6.57	9.44	11.25	13.19	10	1.00	U	103	BAL
	54266-018	16.5	6.5	9.75	8.53	11.25	10	1.28	OW	124	BAL
	54268-018	16.5	6.62	9.65	11.25	13.19	10	1.00	V	103	4, BAL
16.5 x 6	54268-128	16.5	6.62	9.65	11.25	13.19	10	1.00	V	103	BAL
	54292-018	16.5	6.67	9.88	8.78	11.25	10	1.00	U	123	BAL
	54301-018	16.5	6.73	9.54	8.78	11.25	10	1.28	U	130	BAL

Brake Drum Dimensional Data (By Brake Shoe Size)

Brake Shoe Size	Drum PN	Brake Face Dia	Brake Face Width	Overall Depth	Hub Pilot	Bolt Hole Circle	Bolt Holes		Type	Weight	Special Info
							No.	Dia.			
16.5 x 7	51952-11	16.5	7.30	8.13	11.00	12.75	5 & 6	0.64	D	108	
	51961-10	16.5	7.50	8.44	11.00	12.5	5 & 6	0.66	CX	105	Obsolete
	52020-01	16.5	7.63	9.5	9.44	11.25	10	0.83	CX	99	
	52120-12	16.5	7.44	8.44	11.25	12.75	5 & 6	0.78	CX	101	
	52120-128	16.5	7.44	8.44	11.25	12.75	5 & 6	0.78	CX	101	BAL - Special Order
	52230-10	16.5	7.50	8.39	9.44	11.00	5 & 6	0.78 & 0.66	CX	105	
	52327-10	16.5	7.50	8.75	9.50	11.25	10	0.81	DR	108	
	52327-11	16.5	7.50	8.75	9.50	11.25	5 & 6	0.81 & 0.64	DR	108	Obsolete - use 54249-01
	52647-11	16.5	7.38	8.25	11.25	12.75	5 & 6	0.66	OW	94	Obsolete - use 54264-01
	52705-30	16.5	7.81	10.61	9.00	11.25	10	0.81	CX	114	
	52705-308	16.5	7.82	10.61	9.00	11.25	10	0.81	CX	114	BAL
	52877-11	16.5	7.52	10.75	9.44	11.25	10	0.81	CX	121	1 [3 holes]
	52878-01	16.5	7.51	10.44	8.53	11.25	10	0.81	CX	105	Cast-in Grease Slinger
	52890-13	16.5	7.63	8.75	10.5	12.75	5 & 6	0.78	CX	103	
	53026-01	16.5	7.81	10.63	8.53	11.25	10	0.81	CX	114	
	53026-018	16.5	7.81	10.63	8.53	11.25	10	0.81	CX	114	BAL, Special Order
	53033-30	16.5	7.63	10.63	9.00	10.83	8	1.00	U	114	
	54202-01	16.5	7.36	10.30	8.78	11.25	10	1.00	K	110	
	54208-01	16.5	7.34	8.13	8.53	11.25	10	0.81	K	118	
	54209-018	16.5	7.44	10.31	9.00	11.25	10	0.87	K	112	BAL
	54212-01	16.5	7.26	9.69	8.78	11.25	10	1.28	L	117	Obsolete
	54213-01	16.5	7.4	11.18	8.78	11.25	10	1.00	Q	114	
	54213-018	16.5	7.4	11.18	8.78	11.25	10	1.00	Q	114	BAL
	54234-018	16.5	7.48	10.82	8.78	11.25	10	1.00	K	117	BAL
	54249-01	16.5	7.49	8.74	9.50	11.25	5 & 6	0.82 & 0.65	OW	105	
	54250-01	16.5	7.44	10.59	11.25	13.19	10	1.00	UD	117	
	54250-018	16.5	7.44	10.59	11.25	13.19	10	1.00	UD	117	BAL
	54261-018	16.5	7.60	10.59	8.78	11.25	10	1.00	U	125	BAL
	54264-01	16.5	7.19	8.19	11.25	12.75	5 & 6	0.78 & 0.66	F	91	11.25 Hub Bore
	54267-018	16.5	7.46	10.37	8.78	11.25	10	0.94	V	126	BAL
	60000-018	16.5	7.56	10.56	8.78	11.25	10	1.00	U	102	BAL
	60001-01	16.5	7.56	10.62	8.78	11.25	10	1.00	U	108	
60001-018	16.5	7.56	10.62	8.78	11.25	10	1.00	U	108	BAL	
80000-018	16.5	7.56	10.43	8.78	11.25	10	1.00	U	88	BAL - Steel Shell Composite	

KIC Brake Drum Dimensional Data (By Brake Shoe Size)

Brake Shoe Size	Drum PN	Brake Face Dia	Brake Face Width	Overall Depth	Hub Pilot	Bolt Hole Circle	Bolt Holes		Type	Weight	Special Info
							No.	Dia.			
16.5 x 8.62	54229-01	16.5	8.98	11.41	8.78	11.25	10	1.00	QFD	117	
	54229-018	16.5	9.00	11.39	8.78	11.25	10	1.00	QFD	117	BAL
	54231-018	16.5	9.44	11.56	11.25	13.19	10	1.06	U	181	BAL
	54232-018	16.5	9.16	11.28	11.25	13.19	10	1.06	U	147	BAL
	54236-018	16.5	8.87	11.46	8.78	11.25	10	0.94	K	134	BAL, Obsolete
	54251-01	16.5	9.15	12.37	11.25	13.19	10	0.94	UD	139	
	54294-018	16.5	9.70	12.39	9.00	10.83	8	1.00	U	136	BAL, Obsolete
	54727-01	16.5	9.63	12.39	8.78	11.25	10	1.00	U	132	
16.50 x 8	54269-01	16.5	8.61	11.1	8.75	11.25	10	1.03	U	122	Special Order
	54269-018	16.5	8.61	11.1	8.75	11.25	10	1.03	U	122	BAL
17.25 x 5	51421-01	17.25	4.68	7.50	9.88	11.25	10	0.813	P	66	
18 x 7	54203-01	18	7.48	8.24	11.00	12.75	6	0.66	AX	137	
	54230-01	18	7.56	8.87	11.25	12.75	6 & 6	0.78 & 0.65	CX	145	
	54304-01	18	7.67	11.95	11.25	13.19	10	1.06	UD	200	
	555-01811	18	7.88	9.75	11.25	13.19	10	1.06	L	141	Special Order
	555-18006B	18	7.50	8.75	9.5	11.25	6	0.75	QD	138	Banded, Special Order
20 x 7	555-2021B	20	7.41	9.25	13.25	15.00	12	0.78	D	209	13.50" Pilot, Banded, Special Order
20 x 8	555-20057B	20	8.56	12.63	11.00	13.19	10	1.06	A	238	Banded, Special Order
	555-2005B	20	8.50	12.5	10.63	13.19	10	1.06	A	242	Banded, Special Order
	555-2009B	20	8.52	10.25	10.63	13.19	6	0.81	D	198	Banded, Special Order
	555-2023	20	8.61	10.94	13.25	15.00	12	0.78	D	240	13.50" Pilot, Special Order
	555-2027	20	8.61	10.94	11.00	12.5	12	0.66	P	218	11.25" Pilot, Special Order
	555-2035B	20	9.00	11.00	9.50	11.25	6	0.66	QD	190	Banded, Special Order

Competitive Interchange (Competitor to KIC)



BLUEBIRD BUS		DAYTON/ MERITOR	KIC	DAYTON/ MERITOR	KIC
BLUEBIRD	KIC				
1117365	54275-018	120728	51952-11	122604	52647-11
1460062	54234-018	120743	51952-11	122606	52511-01
1460112	52327-10	120754	51961-10	122607	52878-01
1460195	54207-018	120782	52020-01	122607	53026-01
1579200	54236-018	120822	54215-01	122643	52020-01
2014318	52336-108	120877	52877-11	122667	52327-10
2081332	52965-117	120936	54203-01	122683	52120-128
2081333	52966-108	121040	54249-01	122744	54249-01
2137222	52918-01	122009	52890-13	122752	54208-01
2137610	52120-128	122046	54217-018	122782	52647-11
2237670	54295-018	122079	52120-128	122812	51283-14
2602167	54208-01	122083	52120-128	122819	52511-01
2602167	52878-01	122103	52327-10	122822A	52230-10
8071947	60001-01	122103	52327-11	122853	52230-10
		122103	54249-01	122854	52020-01
		122104	54207-018	122905	52020-01
		122126	52327-10	122921	54272-018
		122153	52120-128	122925	54264-01
		122155	52230-10	122948	54209-018
		122194	52327-10	122963	54215-01
		122201	52327-11	122971	52511-01
		122222	52230-10	122978	52878-01
		122276	54215-01	122986	54209-018
		122300	52890-13	122990	54249-01
		122328	51961-10	122996	54249-01
		122329	51961-10	123022	60001-01
		122340	52890-13	123025	54250-01
		122374	52120-128	123039	52120-128
		122376	52743-11	123058	52327-11
		122376	54215-01	123200	52890-13
		122430	52890-13	123207	60001-01
		122453	52878-01	123207	60001-018
		122453	54208-01	123254	54201-108
		122455	52647-11	123297	54209-018
		122490	52120-128	123312	52981-018
		122502	52647-11	123312	54241-018
		122518	52327-10	123363	54261-018
		122532	54249-01	123365	54261-018
		122548	52705-308	123366	53075-018
		122550	52705-30	123376	52878-01
		122550	52705-308	123382	54201-108
		122560	52647-11	123383	54238-018
		122600	51952-11	123391	54209-018

DAYTON/MERITOR

DAYTON/ MERITOR	KIC
120001	52230-10
120017	52230-10
120038	52230-10
120040	52327-10
120046	52230-10
120063	52020-01
120106	52020-01
120107	52230-10
120152	51961-10
120155	51952-11
120172	52327-11
120190	52647-11
120196	52647-11
120271	54230-01
120369	52327-10
120389	52230-10
120406	52480-108
120408	52472-128
120493	52511-01
120501	52647-11
120586	52327-11
120664	52327-10
120664	54249-01



Competitive Interchange (Competitor to KIC)

DAYTON/ MERITOR	KIC	DAYTON/ MERITOR	KIC	DURABRAKE	
				DURABRAKE	KIC
123396	53075-018	3219-P-1602	54249-01	1244	53039-01
123399	54248-018	3219-P-2356	52020-01	12617	52743-11
123404	60001-01	3219-P-4072	54208-01	12617	54215-01
123404	60001-018	3219-P-4280	54259-018	12637	52511-01
123413	53075-018	3219-Q-4229	54208-01	14048	52965-117
123415	52877-11	3219-R-1604	54249-01	14048	52965-119
123416	60001-018	3219-R-2228	52327-10	14158	52981-018
123417	52020-01	3219-R-2930	52020-01	14503	52757-308
123419	52647-11	3219-R-3944	52918-01	14508	52480-108
123420	54201-108	3219-S-1605	52327-10	14512	52472-128
123421	53075-018	3219-S-3945	52918-01	14513	52336-108
123422	52877-11	3219-S-4543	54208-01	14513	52336-148
123427	54210-018	3219-T-1944	52020-01	14518	52824-138
123428	54727-01	3219-T-2486	52230-10	14518	52824-148
123431	54207-018	3219-T-4544	54208-01	14659	54259-018
123448	54214-018	3219-V-3714	52705-308	15113	54299-118
123537	54261-018	3219-V-4468	52918-01	15115	54298-118
123537	60001-018	3219-W-1137	52020-01	16051	54231-018
123561	54258-018	3219-W-1427	52020-01	1607	52918-01
123569	54301-018	3219-W-3689	52020-01	16139	52647-11
123580	54269-018	3219-W-4261	52918-01	16141	53033-30
123581	54727-01	3219-W-5821	60001-01	16149	51961-10
12582	52020-01	3219-X-4262	52918-01	16289B	54217-018
3219-A-1795	52020-01	3219-Y-3561	52705-308	1629	52020-01
3219-A-4265	52919-017	3219-Y-5797	54258-018	1639	52327-10
3219-A-4291	54208-01	3219-Z-4264	52919-017	1640	52327-11
3219-A-5825	54727-01	3219-Z-4290	54208-01	1640	54249-01
3219-B-4006	52919-017	3219-Z-5122	52918-01	16464	54258-018
3219-C-3929	54241-018	4219-Z-3848	54241-018	16474	54268-018
3219-C-4007	52919-017	53-123537-002	80000-018	16516	54264-01
3219-C-5853	54301-018	B3219-G-5129	52824-138	16600	54301-018
3219-E-1462	51283-14	B3219-G-5857	54259-018	16729	52877-11
3219-E-2449	52020-01	B3219-U-4493	52336-108	16778	52120-12
3219-E-3567	54272-018	B3219-Y-5121	52965-119	16792	60001-01
3219-F-2450	52020-01			16792	60001-018
3219-F-3568	54272-018			16792B	60001-018
3219-G-3569	54259-018			16794	52705-30
3219-G-3933	54208-01			16795	53026-01
3219-H-3570	54259-018			16797	52878-01
3219-J-3078	52020-01			16874	52230-10
3219-J-3936	54208-01			16907	51952-11
3219-J-4742	54241-018			16997	52890-13
3219-N-4070	54208-01				

Competitive Interchange (Competitor to KIC)



DURABRAKE	KIC
18006	555-18006B
1811	555-01811
18788	54203-01
2005	555-2005B
20057B	555-20057B
2009B	555-2009B
2021B	555-2021B
2023	555-2023
2027	555-2027

ERIE	
ERIE	KIC
2700-10	52511-01
2738-1	52230-10
2740	52327-11
2740-1	52327-10
2752	52743-11
2760	52020-01
2762	51961-10
2764	52877-11
2764	52878-01
2764	53026-01
2764	60001-018
2764-5	60001-01
2764-5	60001-018
2765	51952-11
2766	54203-01
2770E	52120-12
2771	52705-30
2771	52705-308
2772	52890-13
2773	52647-11
2773-3	54264-01
2777	52965-117
2777	52965-119

GUNITE	
GUNITE	KIC
2546C	54249-01
2566X	52757-308
2577A	51961-10
2705	52020-01
2747A	54230-01
2920X	54275-018
2983C	52230-10
2997D	52890-13
3022BX	54210-018
3120	52877-11
3136A	54264-01
3136B	54264-01
3141	52705-30
3141B	53033-30
3158X	52981-018
3166	53026-01
3174	52743-11
3197	54203-01
3219A	54271-01
3289X	54217-018
3295A	52120-12
3295AX	52120-128
3401	60001-01
3402	54202-01
3437X	54248-308
3441X	54209-018
3467B	52511-01
3475	52918-01
3513	52919-017
3543	52878-01
3557	53039-01
3557A	53039-11
3576X	54261-018
3595	54216-01
3600A	60001-01
3600AX	60001-018
3647X	54213-018
3676AX	54257-018
3687X	54248-018
3699	54208-01
3710X	54238-018
3721AX	54201-108
3721X	53075-018

GUNITE	KIC
3744	54270-018
3750B	54228-01
3753X	54295-018
3757	54213-01
3757X	54213-018
3760BX	54207-018
3771X	54224-018
3773X	60001-01
3774X	54214-018
3782	54269-01
3782X	54269-018
3784	52230-10
3786X	54226-018
3800X	54293-018
3807	54229-01
3834	52230-10
3851	52965-117
3851X	52965-119
3855RX	52824-148
3855X	54281-018
3856X	54298-118
3857X	54299-118
3887X	54244-018
3889X	54234-018
3890X	54236-018
3893X	54266-018
8656	51952-11
3887	54244-01
3887X	54244-018
3889X	54234-018
3890X	54236-018
3893X	54266-018
3922X	60000-018
8656	51952-11



Competitive Interchange (Competitor to KIC)

NEW FLYER	
NEWFLYER	KIC
6303647	52824-148
6312397	54298-118
6312400	54299-118
6327402	52336-108
6329620	54231-018
6329670	54258-018
6331255	54232-018
6331583	54253-018
6336592	54268-018
6337398	54301-018
6348633	52824-138

STEMCO	
STEMCO	KIC
89996B	80000-018

WEBB WHEEL	
WEBB	KIC
56864B	60000-018
60876F	52877-11
61527B	53075-018
61528B	54201-108
61577F	54271-01
61780F	51961-10
61788F	54203-01
61854F	54230-01
61950B	54295-018
61991B	54270-018
61951B	54282-018
62026F	54253-018
62027	555-2027
62117B	54217-018
62200F	52020-01
62671F	54212-01
62997F	52890-13
63617	52743-11
63631F	53039-01
63635F	53039-11
63637F	52511-01
63647F	54215-01
63680B	54244-018

WEBB	KIC
63680F	54244-01
64003U	51283-14
64004B	52472-128
64009B	52480-108
64015B	52336-108
64026	54253-018
64039B	54299-118
64040B	54298-118
64046B	52966-108
64048B	52965-119
64048F	52965-117
64051B	54231-018
64053B	54232-018
64089B	54286-018
64115B	52336-108
64115B	54280-018
64115D	52336-148
64117B	54281-018
64117D	52824-148
64119B	52824-138
65004B	52757-308
65152B	54248-018
65162B	54242-018
65166B	54266-018
65169F	54226-018
65170B	54292-018
65266B	54210-018
65514B	54207-018
65541B	54241-018
65546B	54272-018
65548B	54293-018
65549B	54243-018
65551B	54259-018
65554B	54214-018
65555B	54276-018
65600B	54301-018
65600C	54301-018
65651B	54275-018
65654B	54238-018
65670B	54234-018
66250F	54250-01
66258F	54251-01
66353B	54213-018

WEBB	KIC
66353F	54213-01
66364B	54258-018
66366F	54240-01
66374B	54268-018
66661B	54267-018
66800B	54269-018
66800F	54269-01
66812F	52918-01
66814F	54727-01
66816B	54294-018
66827B	54236-018
66852F	54208-01
66854F	54229-01
66864B	60001-018
66864F	60001-01
66865B	54209-018
66867B	54267-018
66873F	54202-01
66875F	53033-30
66884	60001-01
66884B	54261-018
66892F	52878-01
66893B	53026-018
66893F	53026-01
66895B	52705-308
66895F	52705-30
67518F	52230-10
68730F	52327-10
68765	52327-11
68765F	54249-01
68845F	54216-01
68897F	51952-11
68942F	52647-11
68958F	54264-01
68981B	52120-128
68981F	52120-12
68985B	54257-018
69790F	54284-01

Competitive Interchange (KIC to Competitor)



KIC	BLUEBIRD	DAYTON/ MERITOR	DURABRAKE	ERIE	GUNITE	NEWFLYER	WEBB WHEEL
51283-14		3219-E-1462					64003U
51283-14		122812					64003U
51952-11		120155	16907	2765	8656		68897F
51952-11		122600	16907	2765	8656		68897F
51952-11		120728	16907	2765	8656		68897F
51952-11		120743	16907	2765	8656		68897F
51952-11		120743	16907	2765	8656		68897F
51961-10		120754	16149	2762	2577A		61780F
51961-10		120754	16149	2762	2577A		61780F
51961-10		122329	16149	2762	2577A		61780F
51961-10		120152	16149	2762	2577A		61780F
51961-10		122328	16149	2762	2577A		61780F
52020-01		3219-T-1944	1629	2760	2705		62200F
52020-01		123417	1629	2760	2705		62200F
52020-01		3219-R-2930	1629	2760	2705		62200F
52020-01		12582	1629	2760	2705		62200F
52020-01		122854	1629	2760	2705		62200F
52020-01		120063	1629	2760	2705		62200F
52020-01		120106	1629	2760	2705		62200F
52020-01		120782	1629	2760	2705		62200F
52020-01		122643	1629	2760	2705		62200F
52020-01		3219-A-1795	1629	2760	2705		62200F
52020-01		3219-E-2449	1629	2760	2705		62200F
52020-01		3219-F-2450	1629	2760	2705		62200F
52020-01		3219-W-3689	1629	2760	2705		62200F
52020-01		3219-J-3078	1629	2760	2705		62200F
52020-01		122905	1629	2760	2705		62200F
52020-01		3219-W-1427	1629	2760	2705		62200F
52020-01		3219-W-1137	1629	2760	2705		62200F
52020-01		3219-P-2356	1629	2760	2705		62200F
52120-12			16778	2770E	3295A		68981F
52120-128	2137610	122374			3295AX		68981B
52120-128	2137610	122490			3295AX		68981B
52120-128	2137610	122153			3295AX		68981B
52120-128	2137610	122683			3295AX		68981B
52120-128	2137610	122683			3295AX		68981B
52120-128	2137610	123039			3295AX		68981B
52120-128	2137610	122079			3295AX		68981B
52120-128	2137610	122083			3295AX		68981B
52230-10		120107	16874	2738-1	3784		67518F
52230-10		120038	16874	2738-1	3784		67518F
52230-10		120017	16874	2738-1	3784		67518F
52230-10		122222	16874	2738-1	2983C		67518F
52230-10		120046	16874	2738-1	3784		67518F
52230-10		120389	16874	2738-1	3784		67518F
52230-10		122155	16874	2738-1	3784		67518F
52230-10		122822A	16874	2738-1	3784		67518F
52230-10		122853	16874	2738-1	3784		67518F



Competitive Interchange (KIC to Competitor)

KIC	BLUEBIRD	DAYTON/ MERITOR	DURABRAKE	ERIE	GUNITE	NEWFLYER	WEBB WHEEL
52230-10		120001	16874	2738-1	3834		67518F
52230-10		3219-T-2486	16874	2738-1	3784		67518F
52327-10	1460112	122194	1639	2740-1			68730F
52327-10	1460112	122103	1639	2740-1			68730F
52327-10	1460112	120369	1639	2740-1			68730F
52327-10	1460112	120040	1639	2740-1			68730F
52327-10	1460112	120664	1639	2740-1			68730F
52327-10	1460112	122126	1639	2740-1			68730F
52327-10	1460112	3219-S-1605	1639	2740-1			68730F
52327-10	1460112	3219-R-2228	1639	2740-1			68730F
52327-10	1460112	122518	1639	2740-1			68730F
52327-10	1460112	122126	1639	2740-1			68730F
52327-10	1460112	122667	1639	2740-1			68730F
52327-11		122201	1640	2740			68765
52327-11		123058	1640	2740			68765
52327-11		123058	1640	2740			68765
52327-11		120586	1640	2740			68765
52327-11		120172	1640	2740			68765
52327-11		122103	1640	2740			68765
52336-108	2014318	B3219-U-4493	14513			6327402	64015B
52336-108	2014318	B3219-U-4493	14513			6327402	64115B
52336-148			14513				64115D
52472-128		120408	14512				64004B
52480-108		120406	14508				64009B
52511-01		122606	12637	2700-10	3467B		63637F
52511-01		120493	12637	2700-10	3467B		63637F
52511-01		122606	12637	2700-10	3467B		63637F
52511-01		122819	12637	2700-10	3467B		63637F
52511-01		122971	12637	2700-10	3467B		63637F
52647-11		122782	16139	2773			68942F
52647-11		122502	16139	2773			68942F
52647-11		122455	16139	2773			68942F
52647-11		120190	16139	2773			68942F
52647-11		120196	16139	2773			68942F
52647-11		123419	16139	2773			68942F
52647-11		122560	16139	2773			68942F
52647-11		122604	16139	2773			68942F
52647-11		123419	16139	2773			68942F
52647-11		120501	16139	2773			68942F
52647-11		122455	16139	2773			68942F
52705-30		122550	16794	2771	3141		66895F
52705-308		3219-Y-3561		2771			66895B
52705-308		122548		2771			66895B
52705-308		122550		2771			66895B
52705-308		3219-V-3714		2771			66895B
52743-11		122376	12617	2752	3174		63617
52757-308			14503		2566X		65004B
52824-138		B3219-G-5129	14518			6348633	64119B

Competitive Interchange (KIC to Competitor)



KIC	BLUEBIRD	DAYTON/ MERITOR	DURABRAKE	ERIE	GUNITE	NEWFLYER	WEBB WHEEL
52824-148			14518		3855RX	6303647	64117D
52877-11		123422	16729	2764	3120		60876F
52877-11		120877	16729		3120		60876F
52877-11		123415	16729	2764	3120		60876F
52878-01	2602167	122453	16797		3543		66892F
52878-01	2602167	122607	16797	2764	3543		66892F
52878-01	2602167	122978	16797	2764	3543		66892F
52878-01	2602167	123376	16797	2764	3543		66892F
52890-13		122009	16997	2772	2997D		62997F
52890-13		122430	16997	2772	2997D		62997F
52890-13		122340	16997	2772	2997D		62997F
52890-13		122300	16997	2772	2997D		62997F
52890-13		123200	16997	2772	2997D		62997F
52918-01	2137222	3219-R-3944	1607		3475		66812F
52918-01	2137222	3219-V-4468	1607		3475		66812F
52918-01	2137222	3219-Z-5122	1607		3475		66812F
52918-01	2137222	3219-S-3945	1607		3475		66812F
52918-01	2137222	3219-W-4261	1607		3475		66812F
52918-01	2137222	3219-X-4262	1607		3475		66812F
52919-017		3219-A-4265			3513		
52919-017		3219-B-4006			3513		
52919-017		3219-Z-4264			3513		
52919-017		3219-C-4007			3513		
52965-117	2081332		14048	2777	3851		64048F
52965-119		B3219-Y-5121	14048	2777	3851X		64048B
52966-108	2081333						64046B
52981-018		123312	14158		3158X		
53026-01		122607	16795	2764	3166		66893F
53026-018							66893B
53033-30			16141		3141B		66875F
53033-30			16141		3141B		66875F
53033-30			16141		3141B		66875F
53033-30			16141		3141B		66875F
53039-01			1244		3557		63631F
53039-11					3557A		63635F
53075-018		123421			3721X		61527B
53075-018		123396			3721X		61527B
53075-018		123366			3721X		61527B
53075-018		123413			3721X		61527B
54201-108		123254			3721AX		61528B
54201-108		123420			3721AX		61528B
54201-108		123382			3721AX		61528B
54202-01					3402		66873F
54202-01					3402		66873F
54203-01		120936	18788	2766	3197		61788F
54207-018	1460195	123431			3760BX		65514B
54207-018	1460195	122104			3760BX		65514B
54207-018	1460195				3760BX		65514B



Competitive Interchange (KIC to Competitor)

KIC	BLUEBIRD	DAYTON/ MERITOR	DURABRAKE	ERIE	GUNITE	NEWFLYER	WEBB WHEEL
54208-01	2602167	3219-G-3933					66852F
54208-01	2602167	122453					66852F
54208-01	2602167	3219-Z-4290					66852F
54208-01	2602167	3219-S-4543					66852F
54208-01	2602167	3219-Q-4229					66852F
54208-01	2602167	3219-P-4072					66852F
54208-01	2602167	3219-J-3936					66852F
54208-01	2602167	3219-A-4291					66852F
54208-01	2602167	3219-T-4544			3699		66852F
54208-01	2602167	122752					66852F
54208-01	2602167	3219-N-4070					66852F
54209-018		123297			3441X		66865B
54209-018		123391			3441X		66865B
54209-018		122948			3441X		66865B
54209-018		122986			3441X		66865B
54210-018		123427			3022BX		65266B
54212-01							62671F
54213-01					3757		
54213-01					3757		66353F
54213-018					3757X		66353B
54213-018					3647X		66353B
54214-018		123448			3774X		65554B
54215-01		122276	12617				63647F
54215-01		122963	12617				63647F
54215-01		122376	12617				63647F
54215-01		122376	12617				63647F
54215-01		120822	12617				63647F
54216-01					3595		68845F
54217-018		122046	16289B		3289X		62117B
54224-018					3771X		
54224-018							
54226-018					3786X		65169F
54228-01					3750B		
54229-01					3807		66854F
54230-01		120271			2747A		61854F
54231-018			16051			6329620	64051B
54232-018						6331255	64053B
54234-018	1460062				3889X		65670B
54236-018	1579200				3890X		66827B
54238-018		123383			3710X		65654B
54238-018		123383			3710X		65654B
54238-018		123383			3710X		65654B
54240-01							66366F
54241-018		4219-Z-3848					65541B
54241-018		3219-J-4742					65541B
54241-018		123312					65541B
54241-018		3219-C-3929					65541B
54242-018							65162B

Competitive Interchange (KIC to Competitor)

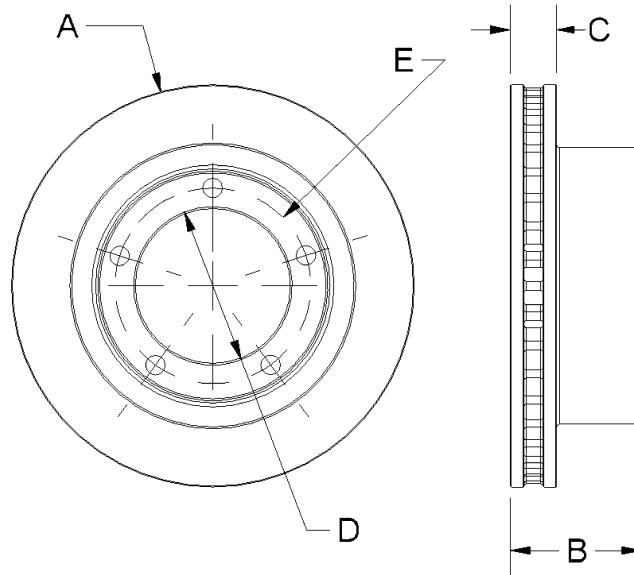


KIC	BLUEBIRD	DAYTON/ MERITOR	DURABRAKE	ERIE	GUNITE	NEWFLYER	WEBB WHEEL
54243-018							65549B
54244-01							63680F
54244-018					3887X		63680B
54248-018		123399			3687X		65152B
54248-308					3437X		
54249-01		3219-R-1604	1640		2546C		68765F
54249-01		121040	1640		2546C		68765F
54249-01		120664	1640		2546C		68765F
54249-01		122990	1640		2546C		68765F
54249-01		122744	1640		2546C		68765F
54249-01		3219-P-1602	1640		2546C		68765F
54249-01		122996	1640		2546C		68765F
54249-01		122532	1640		2546C		68765F
54249-01		122103	1640		2546C		68765F
54250-01		123025					66250F
54251-01							66258F
54253-018							64026
54253-018						6331583	62026F
54257-018					3676AX		
54257-018							68985B
54258-018		123561	16464			6329670	66364B
54258-018		3219-Y-5797	16464			6329670	66364B
54259-018		3219-P-4280					65551B
54259-018		B3219-G-5857					65551B
54259-018		3219-H-3570					65551B
54259-018		3219-G-3569					65551B
54259-018			14659				
54261-018		123537			3576X		66884B
54261-018		123363			3576X		66884B
54261-018		123365			3576X		66884B
54264-01		122925	16516	2773-3	3136B		68958F
54264-01		122925	16516	2773-3	3136A		68958F
54266-018					3893X		65166B
54267-018							66661B
54267-018							66867B
54268-018			16474			6336592	66374B
54269-01					3782		66800F
54269-018		123580			3782X		66800B
54270-018					3744		
54270-018							61991B
54271-01					3219A		61577F
54272-018		3219-F-3568					65546B
54272-018		122921					65546B
54272-018		3219-E-3567					65546B
54275-018	1117365				2920X		65651B
54276-018							65555B
54280-018							64115B
54281-018					3855X		64117B



Competitive Interchange (KIC to Competitor)

KIC	BLUEBIRD	DAYTON/ MERITOR	DURABRAKE	ERIE	GUNITE	NEWFLYER	WEBB WHEEL
54282-018							61951B
54284-01							69790F
54286-018							64089B
54292-018							65170B
54293-018					3800X		65548B
54293-018					3800X		65548B
54293-018					3800X		65548B
54294-018							66816B
54295-018	2237670				3753X		61950B
54298-118			15115		3856X	6312397	64040B
54299-118			15113		3857X	6312400	64039B
54301-018		3219-C-5853	16600				65600C
54301-018		123569	16600			6337398	65600B
54727-01		3219-A-5825					66814F
54727-01		123428					66814F
54727-01		123581					66814F
555-01811			1811				
555-18006B			18006				
555-20057B			20057B				
555-2005B			2005				
555-2009B			2009B				
555-2021B			2021B				
555-2023			2023				
555-2027			2027				62027
60000-018					3922X		56864B
60001-01		123404	16792	2764-5	3600A		66864F
60001-01	8071947				3773X		66884
60001-01			16792	2764-5	3600A		66864F
60001-01		3219-W-5821	16792	2764-5	3600A		66864F
60001-01		123207	16792	2764-5	3600A		66864F
60001-01					3401		66864F
60001-01		123022	16792	2764-5	3600A		66864F
60001-018		123207	16792B	2764-5	3600AX		66864B
60001-018		123207	16792B	2764-5	3600AX		66864B
60001-018		123207	16792		3600AX		66864B
60001-018		123207	16792B	2764-5	3600AX		66864B
60001-018			16792	2764	3600AX		66864B
60001-018		123537	16792	2764	3600AX		66864B
60001-018		123404	16792	2764	3600AX		66864B
60001-018		123207	16792B	2764-5	3600AX		66864B
60001-018		123416	16792	2764	3600AX		66864B
80000-018			STEMCO 89996B	MERITOR 53-123537-002			



Rotor PN	A Dia.	B Depth	C Face Width	D Hub Bore	E Bolt Circle	No. Bolt Holes	Bolt Hole Dia.	Weight
70003-01	15.00	3.50	1.43	5.40	6.75	6	0.76	39

KIC to Competitor Rotor Interchange

Rotor PN	Webb
70003-01	54770